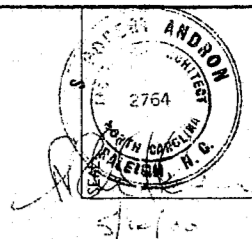


594 E. Chatham St., Bldg B



**STEEL DYNAMICS**  
 5112 Departure Drive  
 P.O. Box 58818 • Raleigh, NC • 27658-8818  
 Raleigh (919) 834-8881  
 Raleigh (919) 863-8881  
 FAX (919) 863-8895  
 (919) 863-8895  
 ECOCO BUILDING DEALER

All work shall conform to applicable codes. These drawings were prepared by the Architect and are the property of the Architect. If they are used for any purpose without the written permission of the Architect, the user assumes all liability for the full commission. Contractors shall verify all dimensions and building conditions before building.

11312 SADDLEVIEW CT.  
 RALEIGH, NC 27613  
 (919) 846-9990  
 (FAX) 870-5741

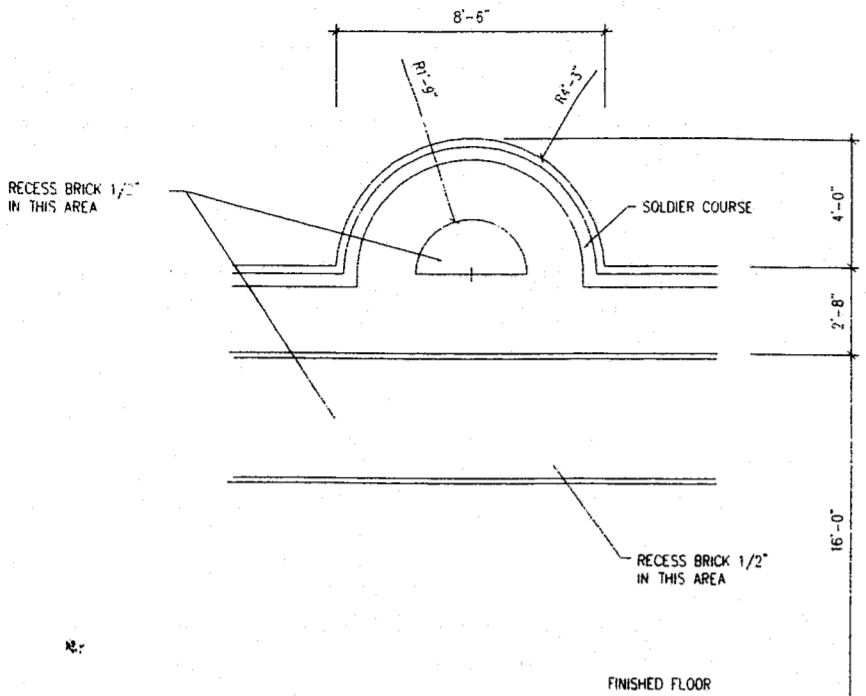
**AAA**  
 ANDRON ARCHITECTS AND ASSOCIATES

DATE	REVISIONS
4/25/00	REVISED ELEVATIONS
5/8/00	REVISED BAY 1 GLASS

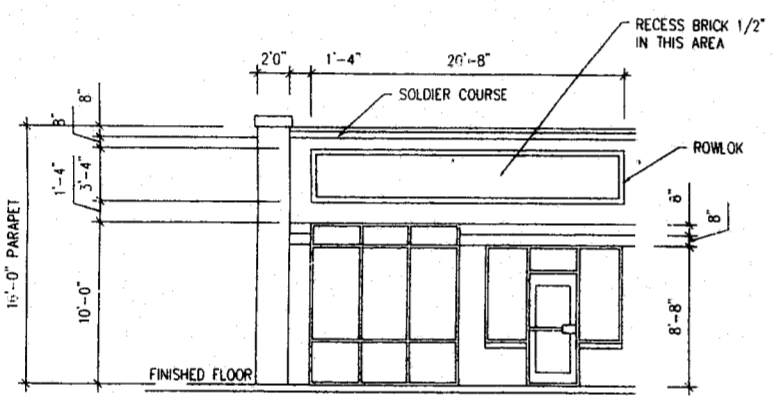
RAMSEY SALMAN  
 CARY, NC  
 ELEVATIONS, BUILDING B

Drawn By: GB Date: 8/27/99  
 Project No.: 99-601

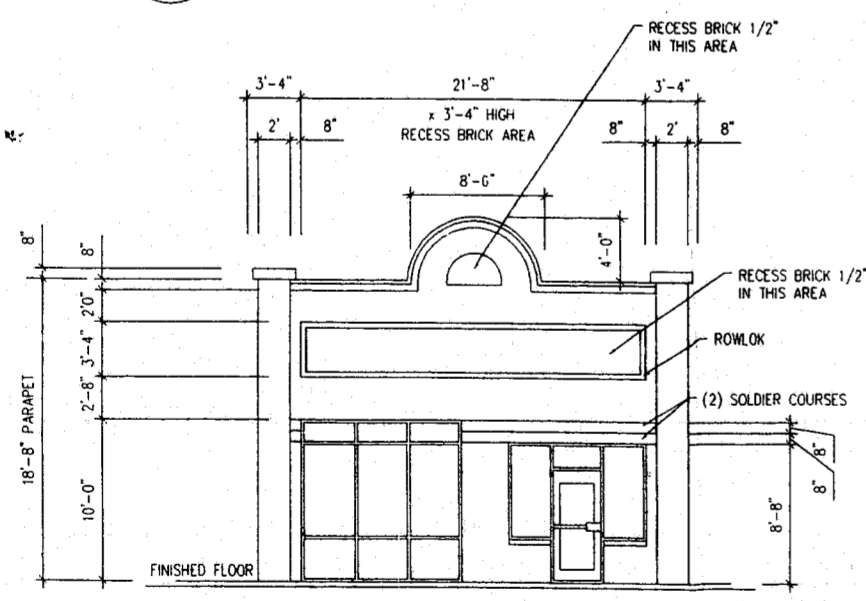
SHEET No.: A7



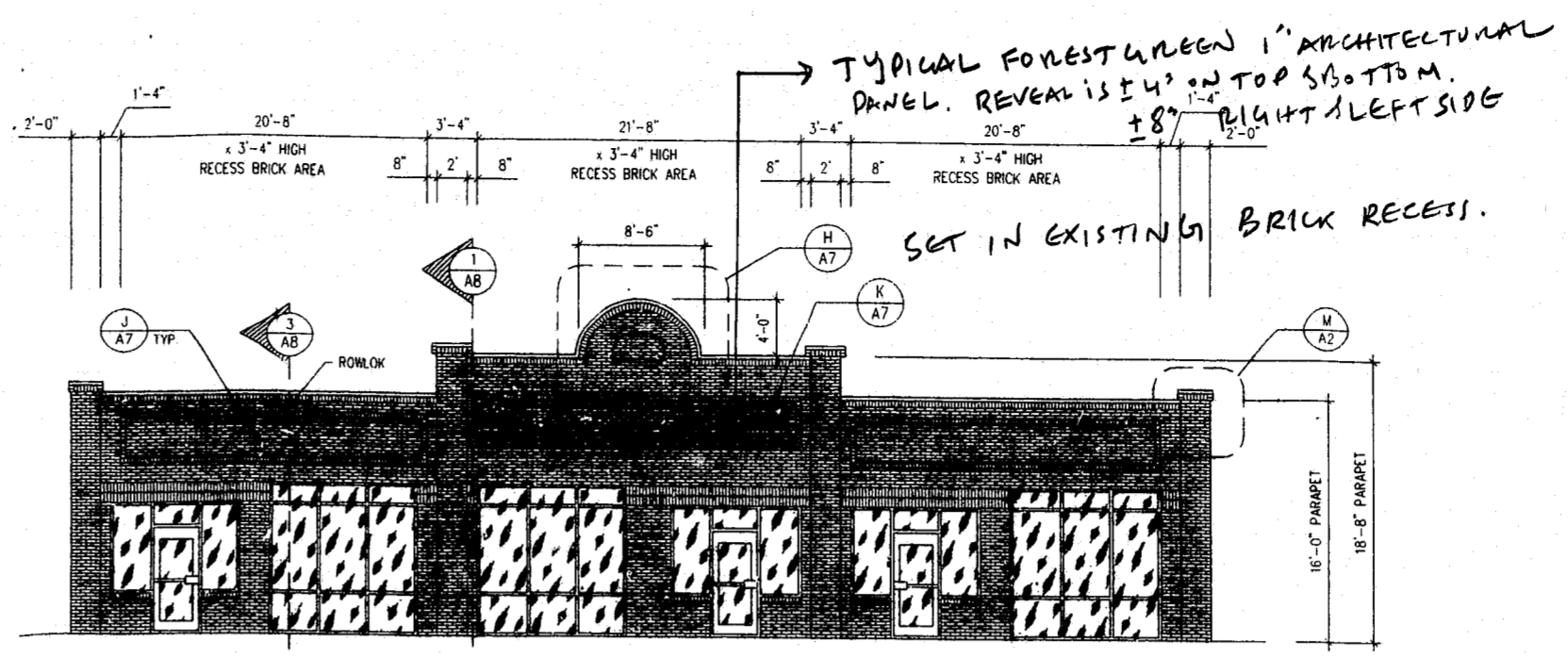
H ARCH DETAIL (TYP.)  
 A7 N.T.S.



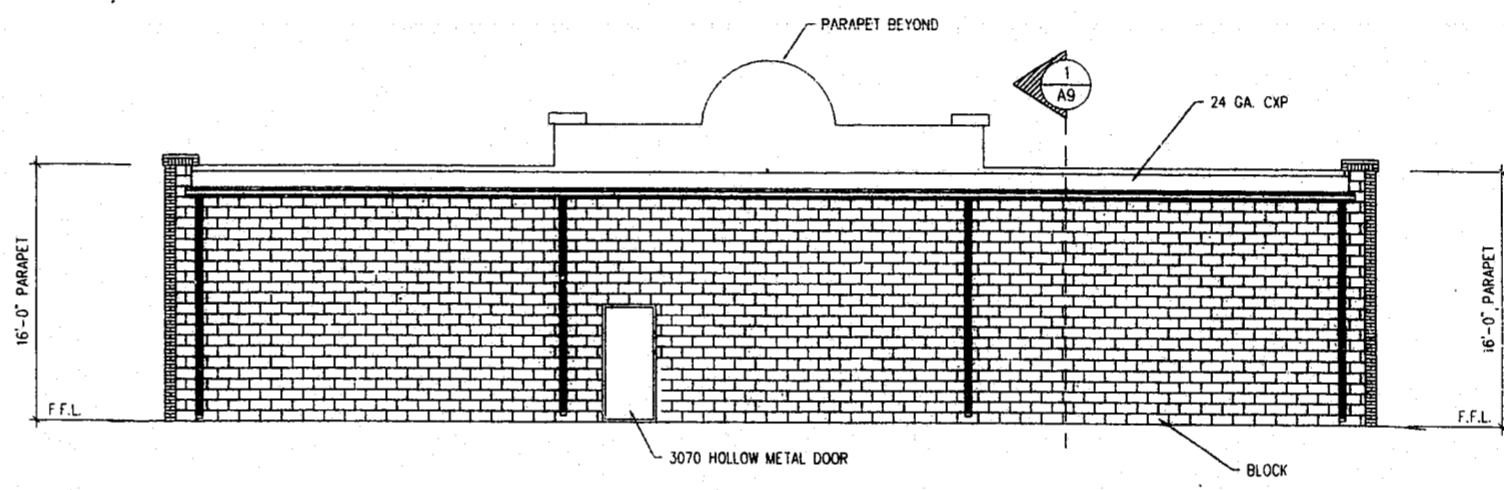
J RECESS BRICK FOR 16'-0" PARAPET  
 A7 1/8" = 1'-0"



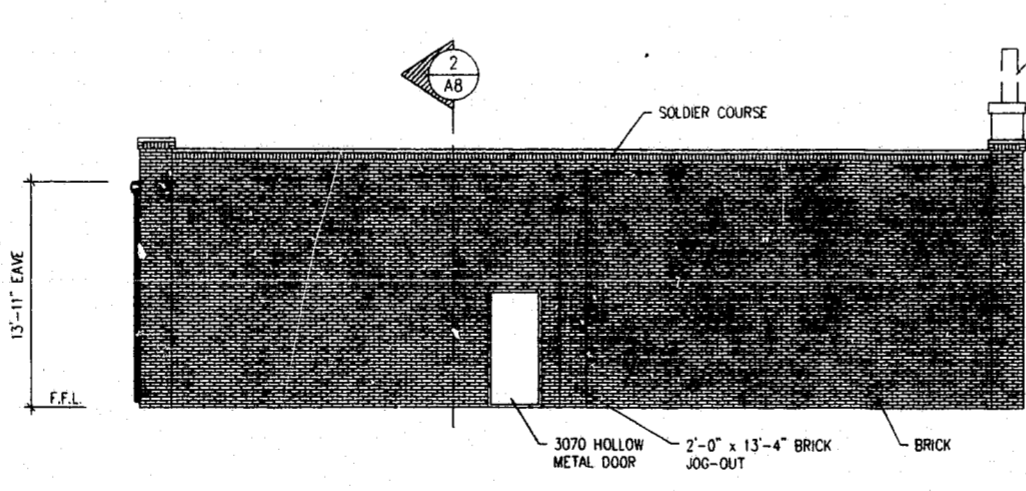
K RECESS BRICK FOR 18'-8" PARAPET  
 A7 1/8" = 1'-0"



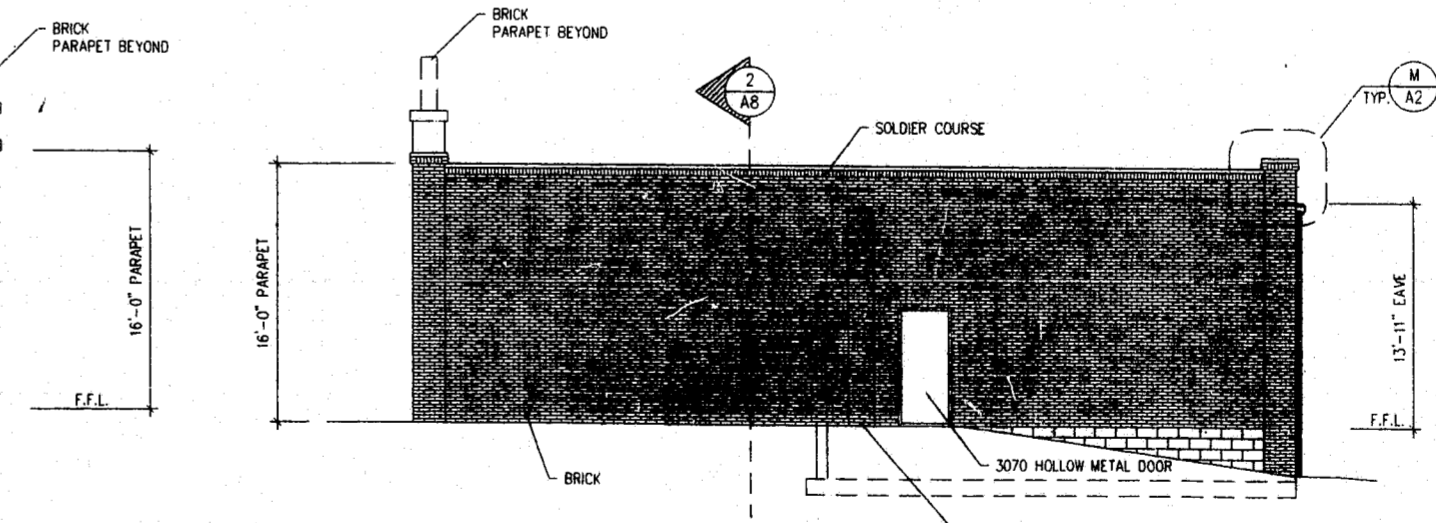
1 FRONT ELEVATION  
 A7 1/8" = 1'-0"



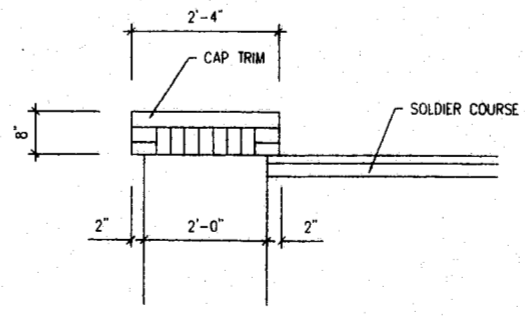
2 REAR ELEVATION  
 A7 1/8" = 1'-0"



3 LEFT SIDE ELEVATION  
 A7 1/8" = 1'-0"



4 RIGHT SIDE ELEVATION  
 A7 1/8" = 1'-0"



M BRICK CAP DETAIL  
 A7 N.T.S.