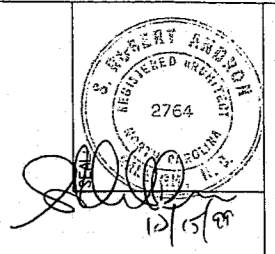


598 Building C  
E. CHATTAM ST.



**STEEL DYNAMICS**  
5112 Departure Drive  
P.O. Box 58818 • Raleigh, NC • 27658-8818  
Raleigh (919) 834-8881  
Raleigh (919) 863-8881  
FAX (919) 863-8895  
IECCO BUILDING DEALER

All work shall conform to applicable codes. These drawings are prepared and are the property of the firm. They are to be used for the project specified herein only. No part of these drawings may be reproduced or transmitted in any form or by any means, electronic, mechanical, photocopying, recording, or by any information storage and retrieval system, without the prior written permission of the architect. The user assumes all liability for the full completion of the project. Contractors shall verify conditions before building.

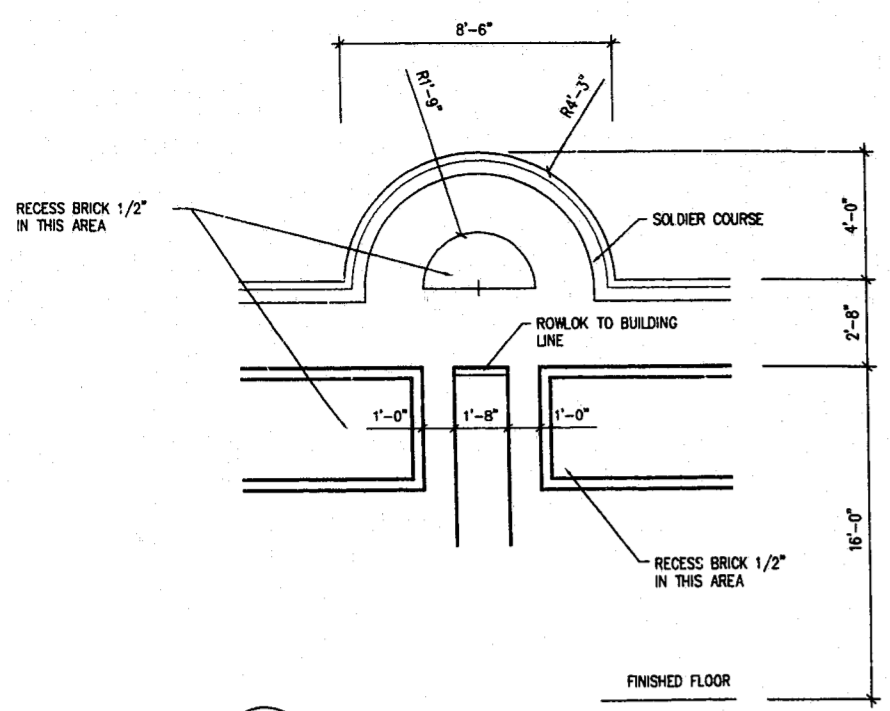
11312 SADDLEVIEW CT.  
RALEIGH, NC 27613  
(919) 846-9990  
(FAX) 870-5741

**AAA**  
ANDRIN ARCHITECTS AND ASSOCIATES

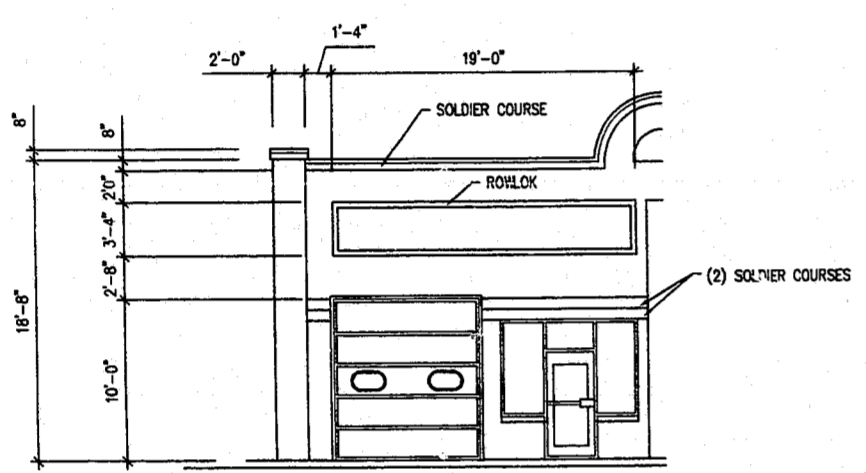
DATE	REVISIONS

RAMSEY SALMAN  
CARY, NC  
ELEVATIONS, BUILDING C

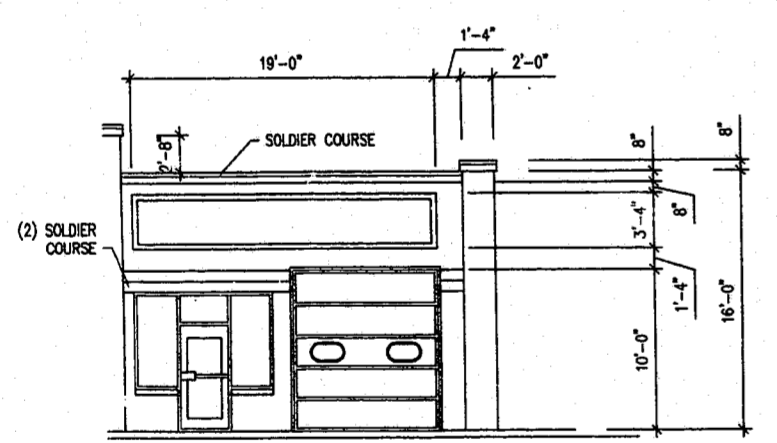
Drawn By: GB Date: 8/27/99  
Project No: 99-601  
SHEET No: A12



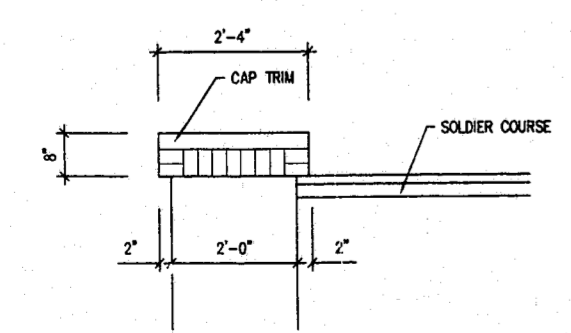
H ARCH DETAIL (TYP.)  
A12 N.T.S.



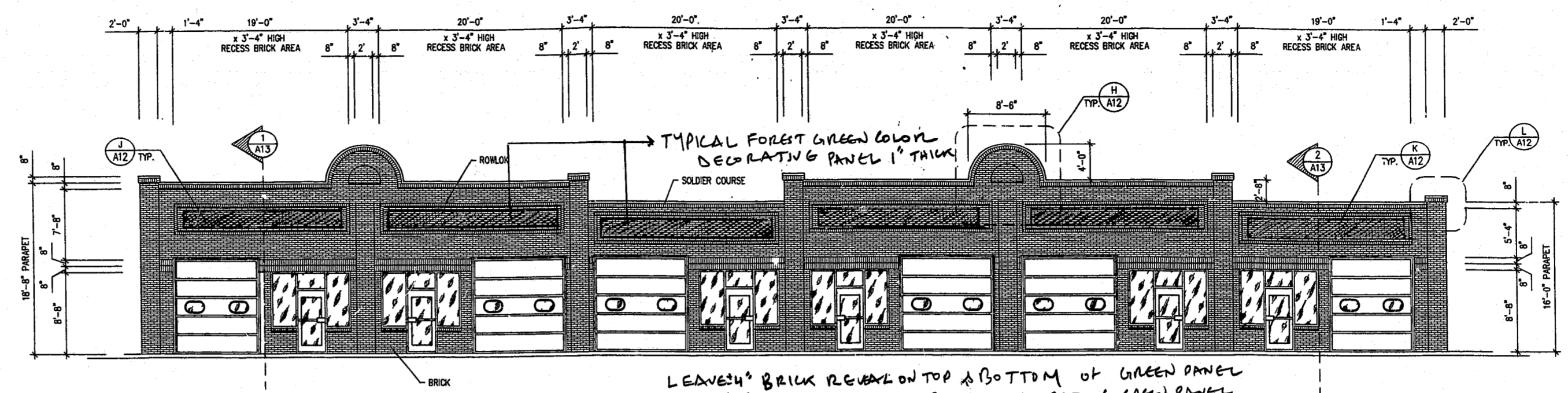
K RECESS BRICK FOR 18'-8" PARAPET  
A12 1/8" = 1'-0"



J RECESS BRICK FOR 16'-0" PARAPET  
A12 1/8" = 1'-0"

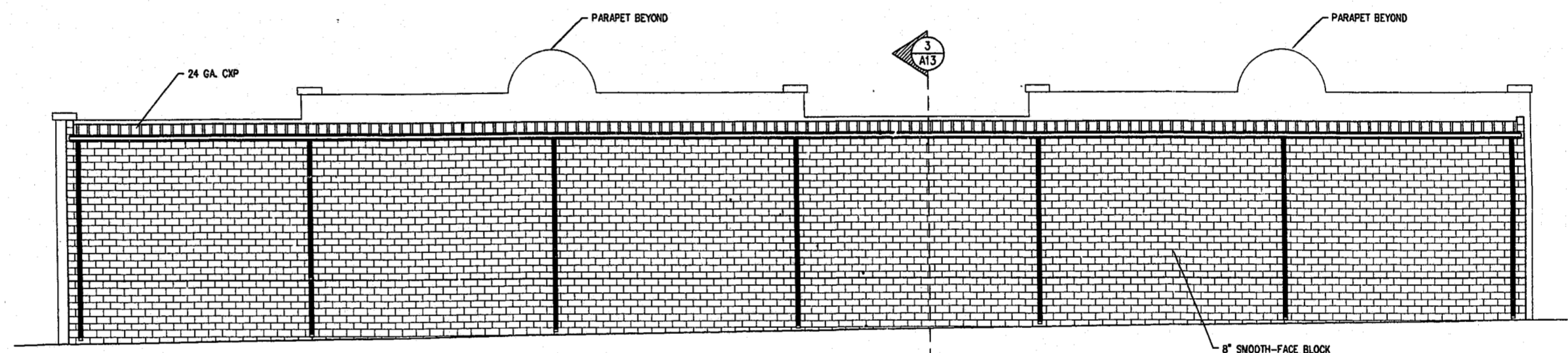


L BRICK CAP DETAIL  
A12 N.T.S.

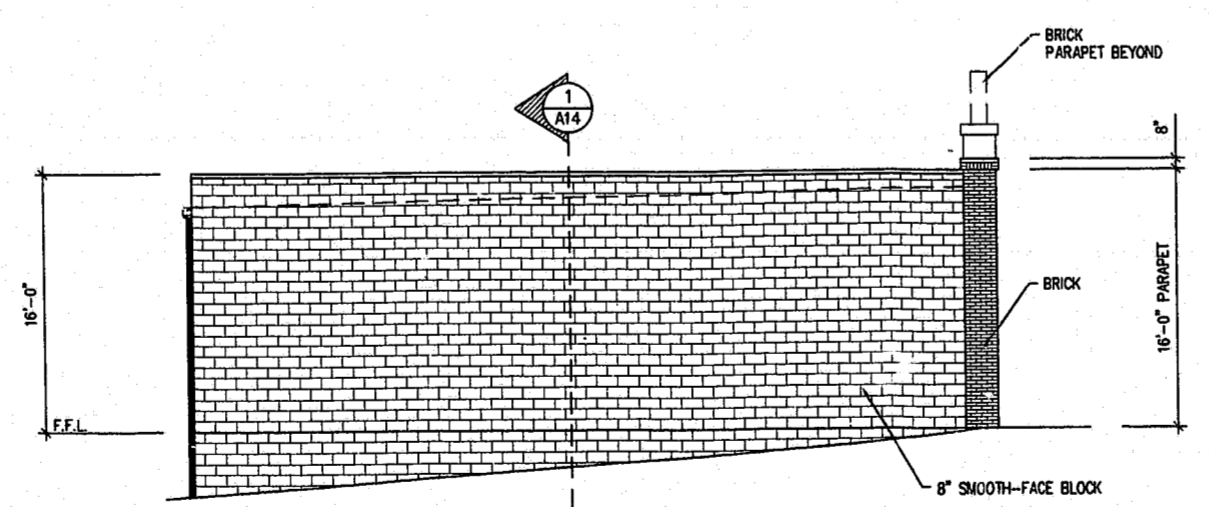


1 FRONT ELEVATION  
A12 1/8" = 1'-0"

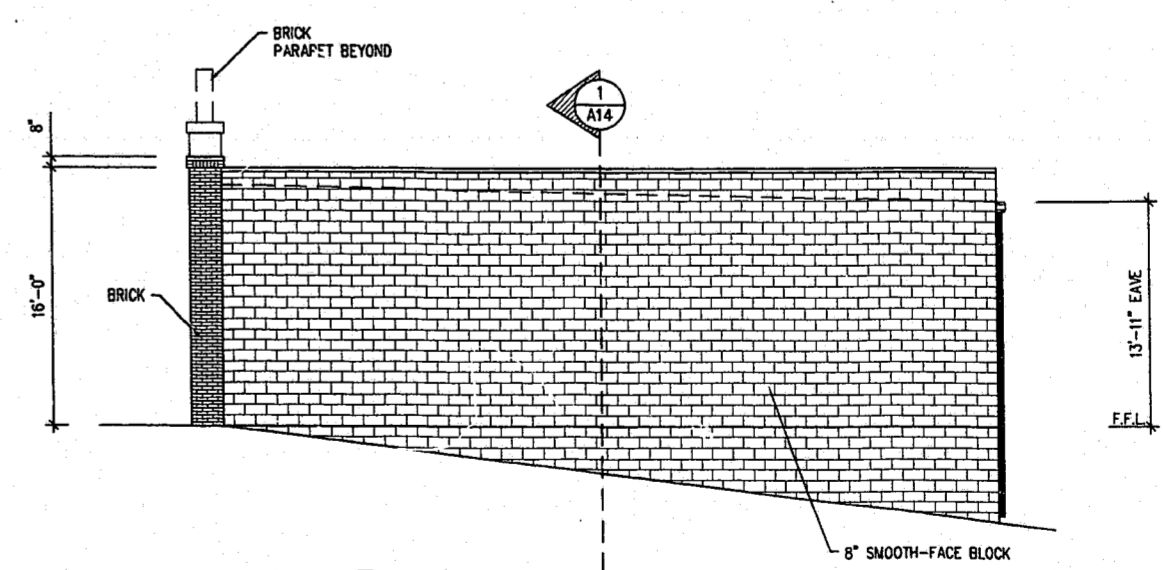
SET PANEL IN EXISTING BRICK RECESS



2 REAR ELEVATION  
A12 1/8" = 1'-0"



3 LEFT SIDE ELEVATION  
A12 1/8" = 1'-0"



4 RIGHT SIDE ELEVATION  
A12 1/8" = 1'-0"

10 copies