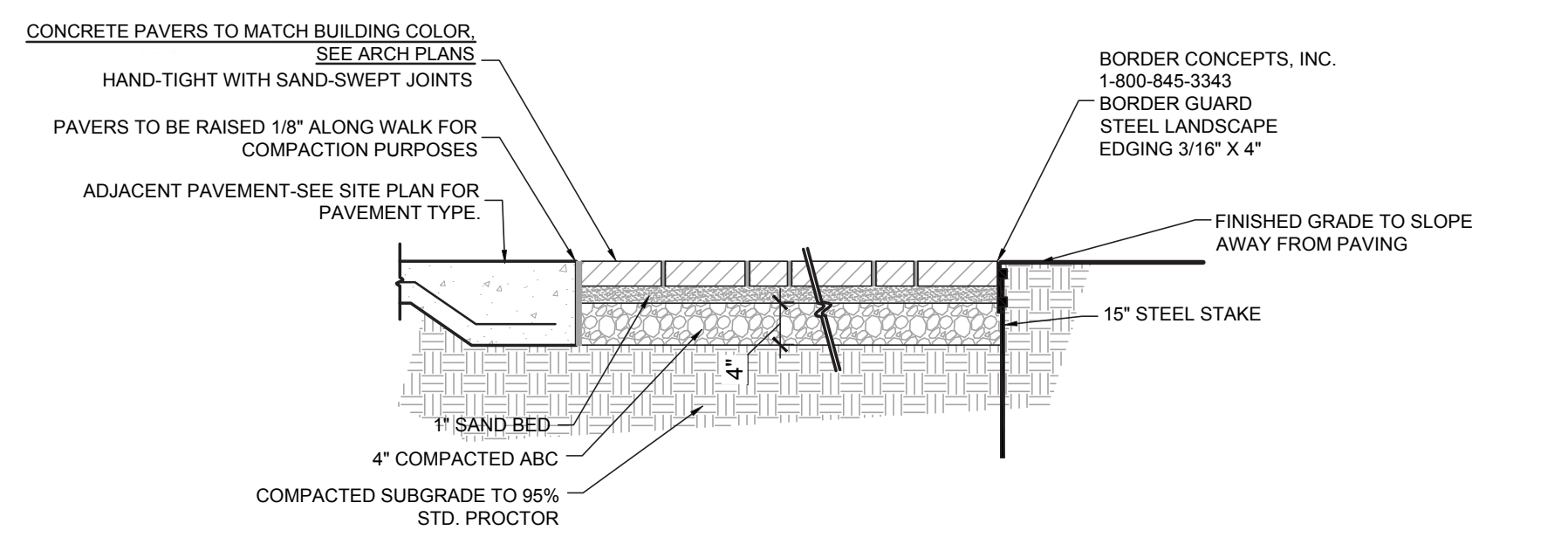
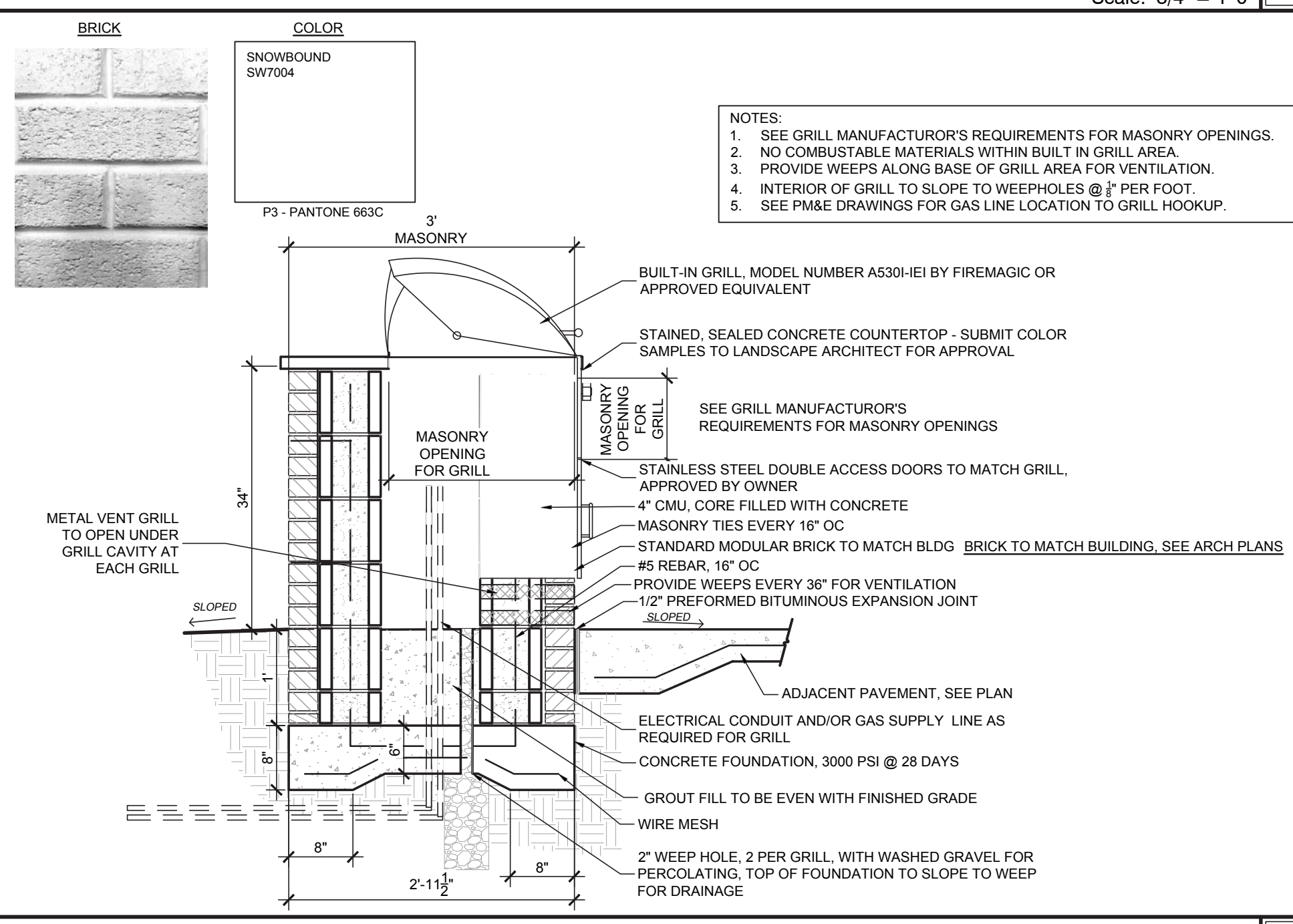
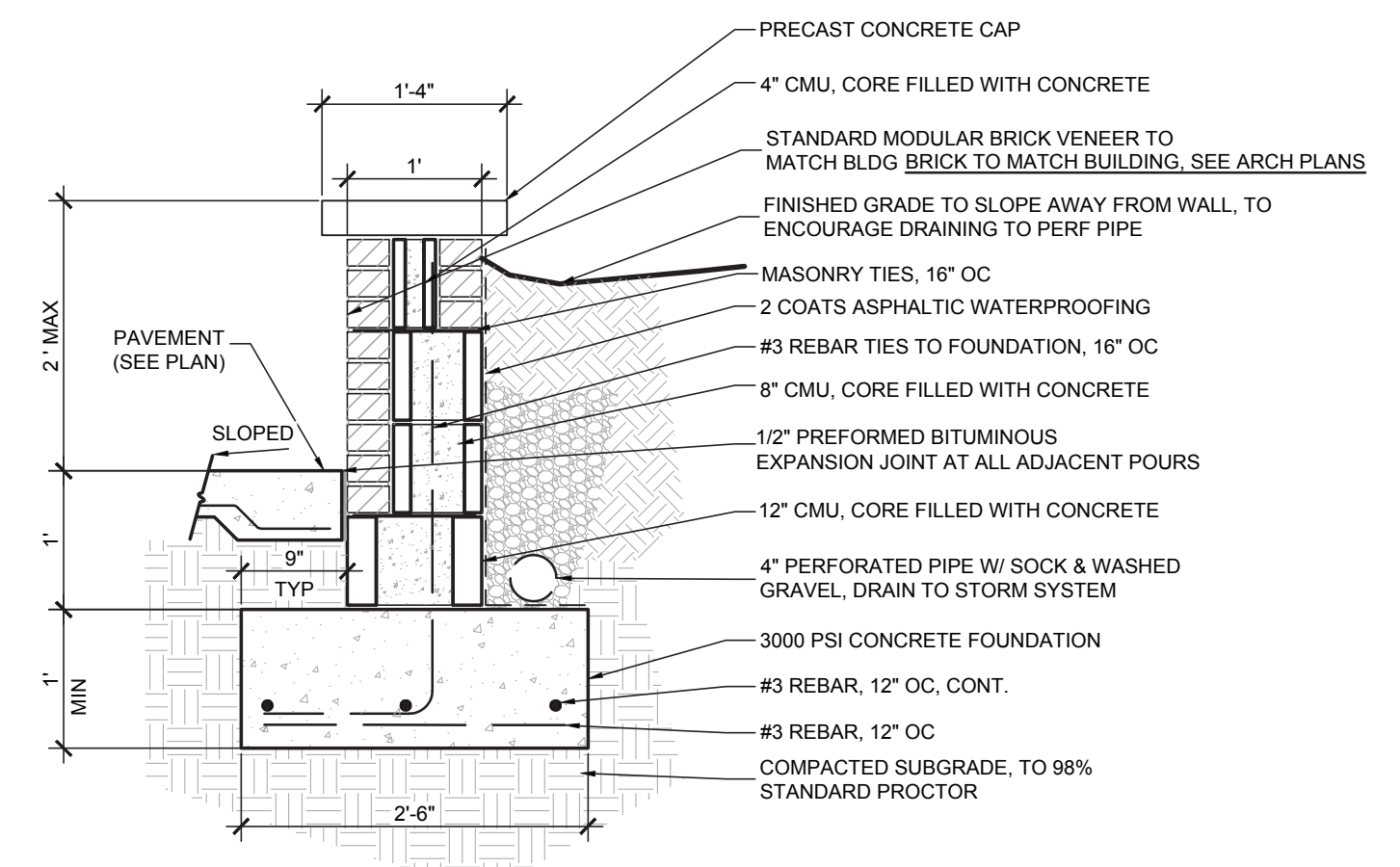


Handicap Parking Space Signage 01
Not to Scale

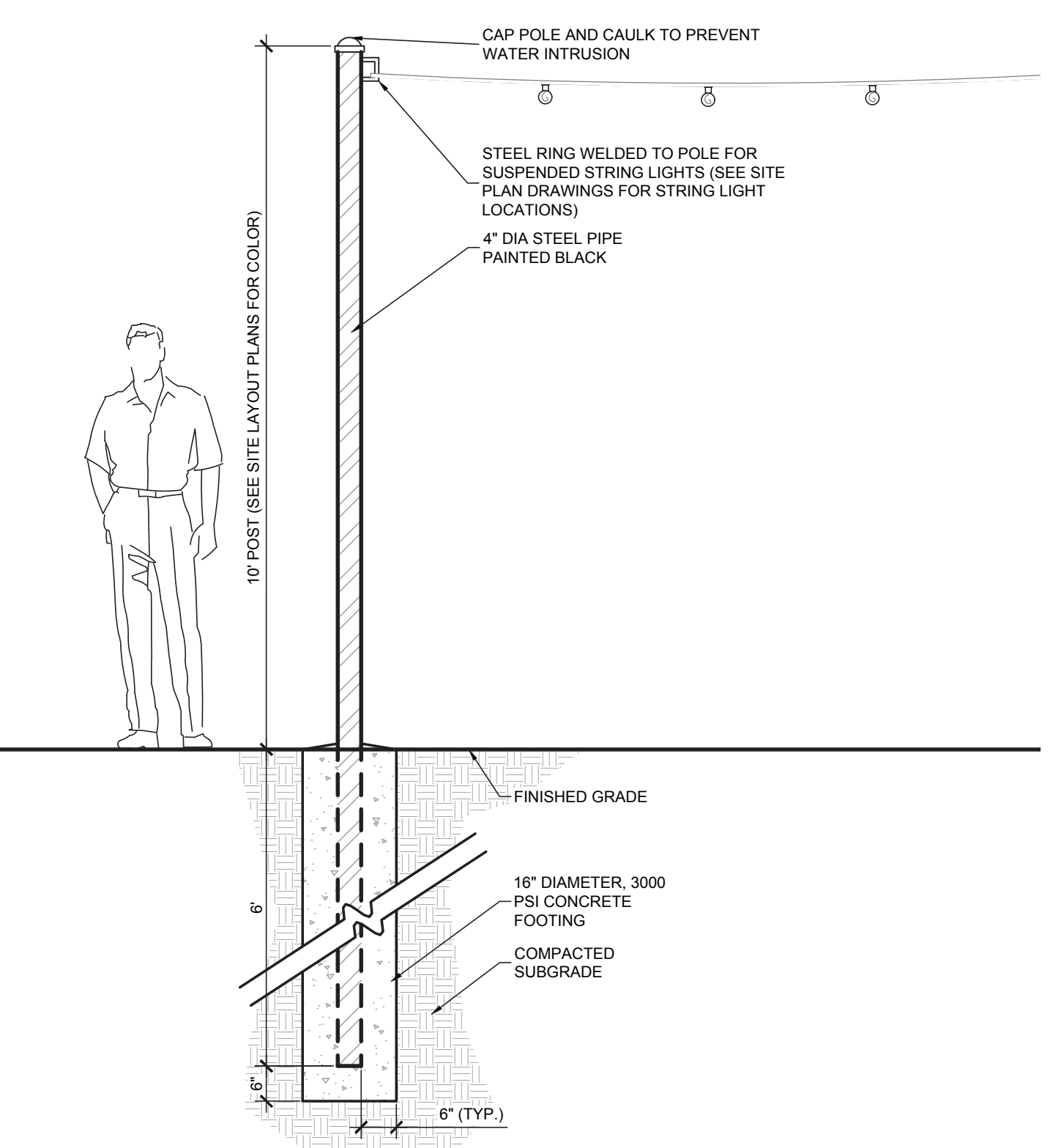
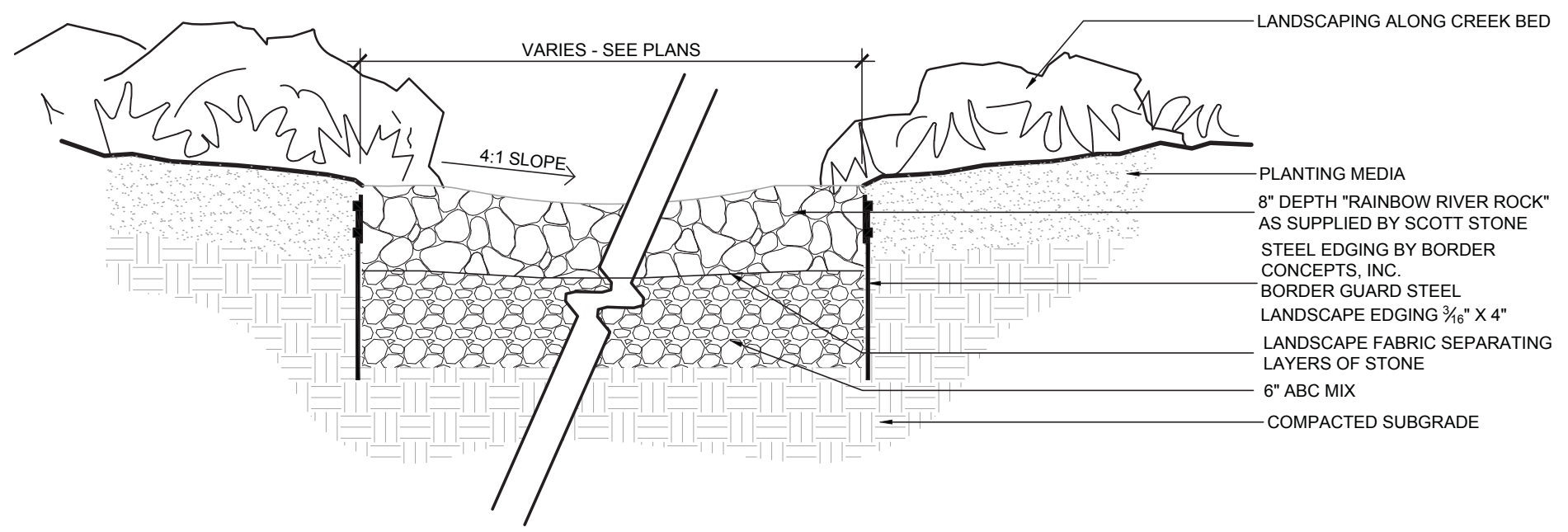
APPROVED by the Town of Cary
Development Review Committee

17-DP-1253

By: dlovelan
01/09/2018



Brick Pavement 04
Scale: 3/4" = 1'-0"



Steel Post 07
Scale: 1/2" = 1'-0"

© 2017 CLINE DESIGN ASSOCIATES, P.A. EXPRESSLY RESERVES ITS COMMON LAW COPYRIGHT AND OTHER PROPERTY RIGHTS IN THESE PLANS. THESE PLANS ARE NOT TO BE REPRODUCED, CHANGED OR COPIED IN ANY FORM OR MANNER WHATSOEVER, NOR ARE THEY TO BE ASSIGNED TO ANY THIRD PARTY WITHOUT FIRST OBTAINING THE EXPRESSED WRITTEN PERMISSION AND CONSENT OF CLINE DESIGN ASSOCIATES, P.A.