

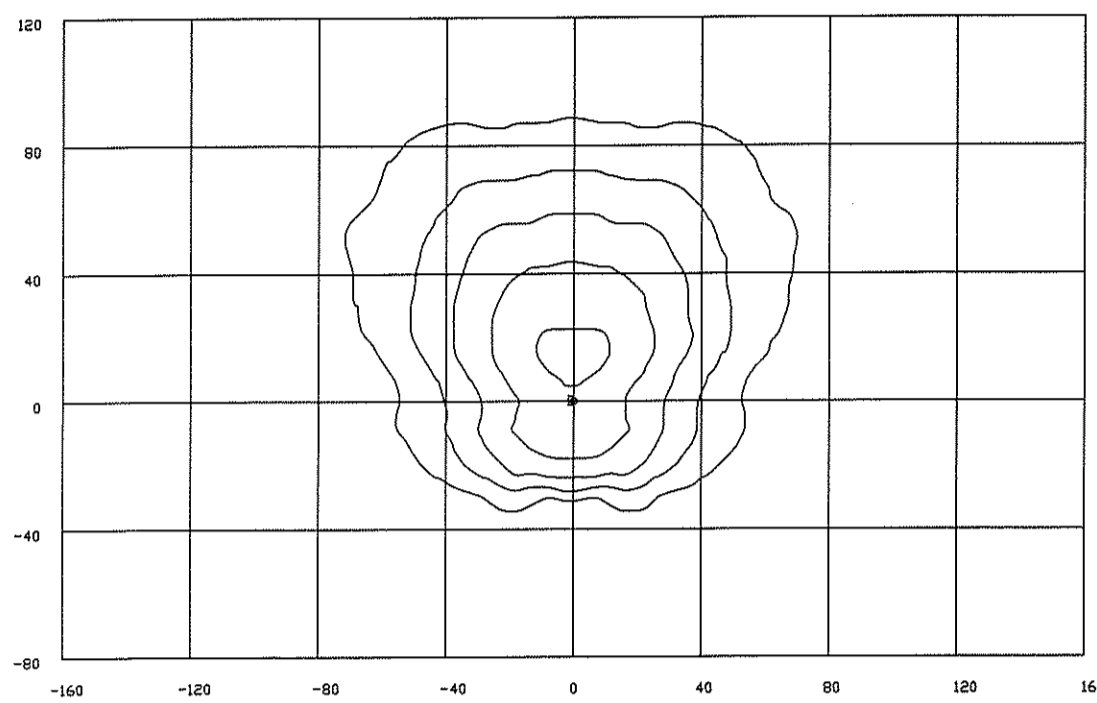
Cary Project No. 07-SP-031
APPROVED
TOWN OF CARY
 Approved by DRC Date 10/23/07
 Planning KAH Date 12/19/07
 Engineering TS Date 12-27-07

This design contains **Special Order** fixtures.
 Please allow additional lead time for these items.

ISOFOOTCANDLE CURVES

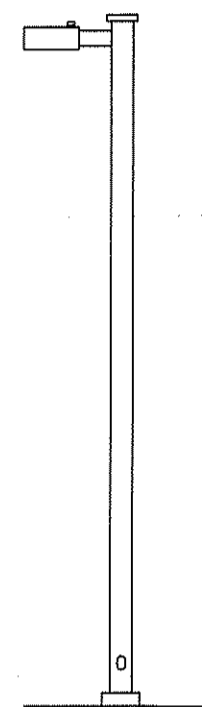
FIXTURE: SHOEBOX - FORWARD THROW
 MOUNTING HEIGHT: 30 FT
 LAMP: 250V, 20,000 LUMENS, METAL HALIDE
 PATTERN TYPE IV, FULL CUTOFF ASSY # L20DFTBLKS2 (BLACK)

NOTE: THE FOOTCANDLE READINGS BELOW ARE MAINTAINED AND HAVE BEEN DEPRECIATED FOR LAMP LUMEN DEPRECIATION AND LUMINAIRE DIRT DEPRECIATION FOR INITIAL FOOTCANDLES. DIVIDE THE READINGS BELOW BY .64.



LEGEND (OUTER to INNER): 0.100, 0.250, 0.500, 1.00, 2.00

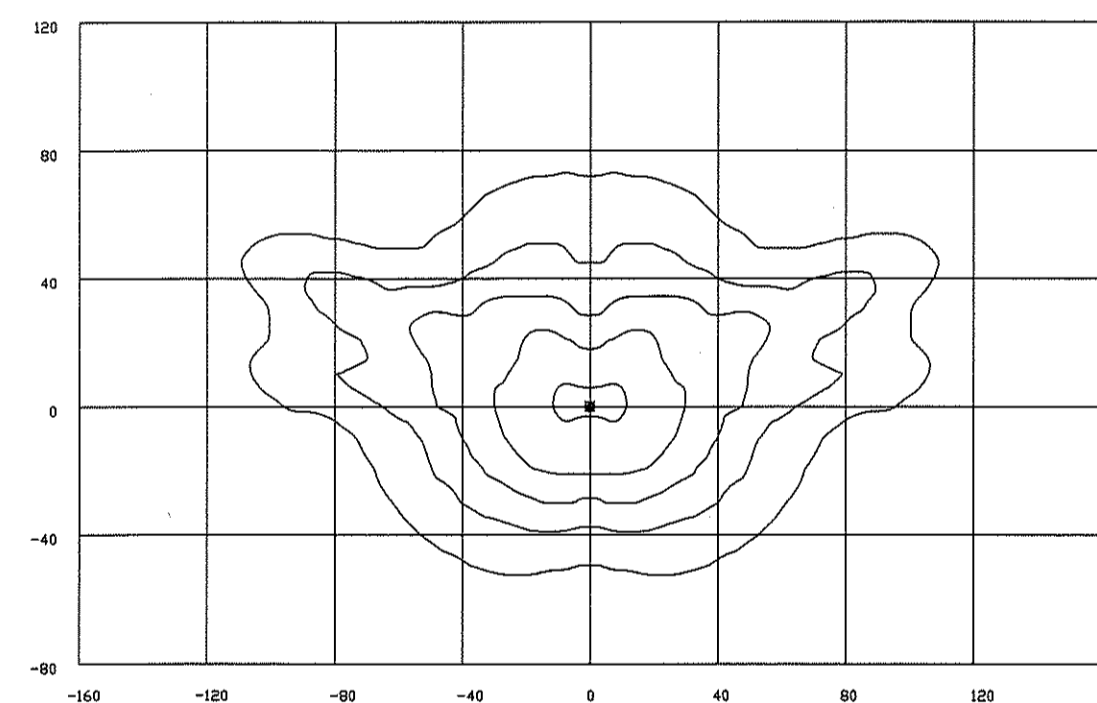
20FT



ISOFOOTCANDLE CURVES

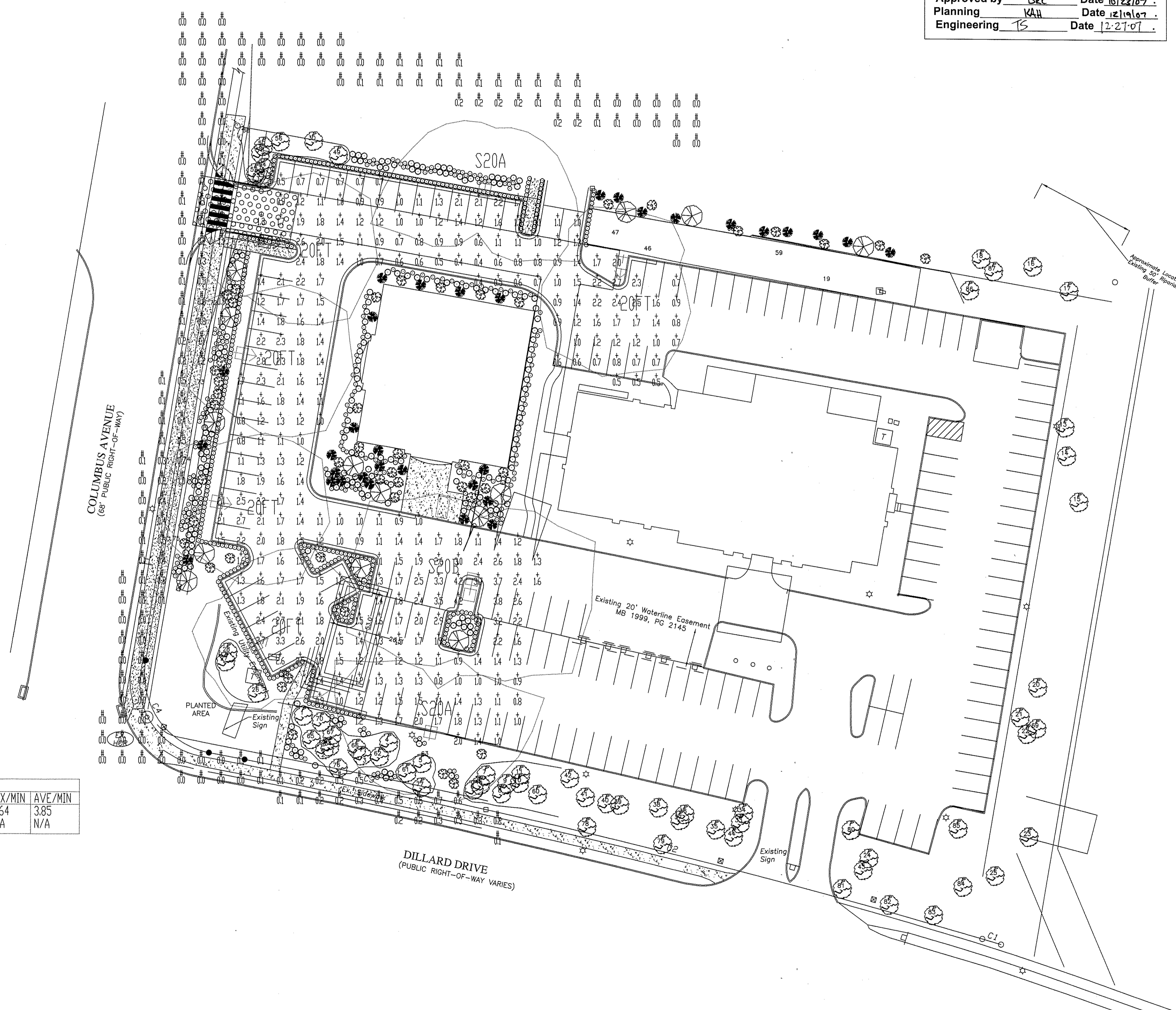
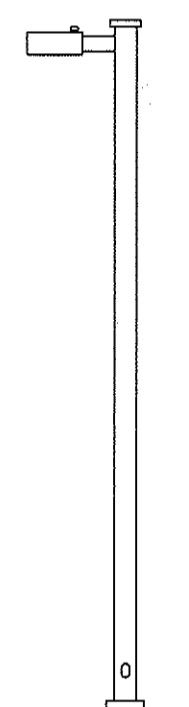
FIXTURE: SHOEBOX
 MOUNTING HEIGHT: 30 FT
 LAMP: 250V, 20,000 LUMENS, METAL HALIDE
 PATTERN TYPE III, FULL CUTOFF ASSY # L20D-BLK-SB2 (BLACK)

NOTE: THE FOOTCANDLE READINGS BELOW ARE MAINTAINED AND HAVE BEEN DEPRECIATED FOR LAMP LUMEN DEPRECIATION AND LUMINAIRE DIRT DEPRECIATION FOR INITIAL FOOTCANDLES. DIVIDE THE READINGS BELOW BY .64.



LEGEND (OUTER to INNER): 0.100, 0.250, 0.500, 1.00, 2.00

S20A
S20B



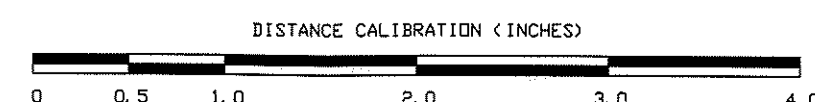
CALCULATION SUMMARY										
AREA NAME	DIMENSIONS	GRID / TYPE	# PTS	SPAC	GROUP	AVE	MAX	MIN	MAX/MIN	AVE/MIN
Parking	536.88x506.00ft	parking property line	300	10.00	<+>	1.51	4.17	0.39	10.64	3.85
			182	10.00	<#>	0.16	1.23	0.00	N/A	N/A

Dillard Dr Office (07-0091) LUMINAIRE SCHEDULE						
TYP	SYMBOL	DESCRIPTION	LAMP	LUMENS	MOUNTING/BALLAST	LLF QTY
20FT	⊕	GE Lighting Sys SB20_FT_1/POLE (1) *S20* SB20_FT_1/POLE	(1) M-250/U	20000	30' MT HT 20K FT MH	0.64 5
S20A	⊕	GE Lighting Sys SB20_1/POLE (1) *S20* SB20_1-4/POLE	(1) M-250/U	20000	30' MT HT 20K MH	0.64 2
S20B	⊕	GE Lighting Sys SB20_2/POLE@180 (2) *S20* SB20_1-4/POLE	(2) M-250/U	20000	30' MT HT 20K MH	0.64 1

LIGHTING DESIGN TOLERANCE

The calculated footcandle light levels in this lighting design are predicted values and are based on specific information that has been supplied to Progress Energy. Any inaccuracies in the supplied information, differences in luminaire installation, lighted area geometry including elevation differences, reflective properties of surrounding surfaces, obstructions (follage or otherwise) in the lighted area, or lighting from sources other than listed in this design may produce different results from the predicted values. Normal tolerances of voltage, lamp output, and ballast and luminaire manufacture will also affect results.

Customer approval _____ Date _____



Progress Energy

PROPRIETARY & CONFIDENTIAL

This document together with the concepts and designs presented herein, presented as an instrument of service, is the sole property of Progress Energy, and is intended only for the specific purpose and prospective client as stated in the title block of this drawing. Any use, copying, reproduction or disclosure of the drawing, design or any information contained herein by the prospective customer or other entities, including without limitation, architects, engineers, or equipment manufacturers is hereby expressly prohibited and shall not be permitted absent prior written consent from, and payment of compensation to Progress Energy. Progress Energy disclaims any liability or responsibility for any unauthorized use of or reliance on this document.

DILLARD DRIVE OFFICES	
CARY NC	
SITE LIGHTING PLAN	
Designed by	PGN LIGHTING SOLUTIONS - CAROLINAS
Reviewed by	R. Simpkins Scale 1" = 30'
Date	09/26/2007 Size Drawing size "D"
Description	20K lumen Shoebox fixtures (STD & FWT)
Drawing No.	07-0091C Sht. 1 OF 1