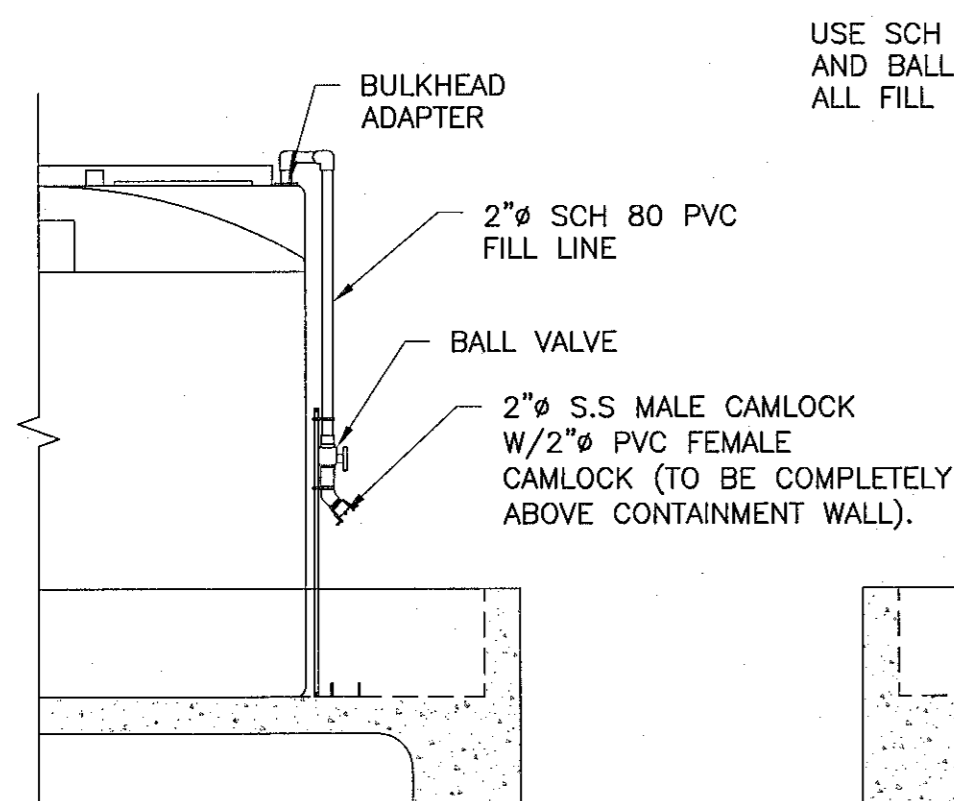
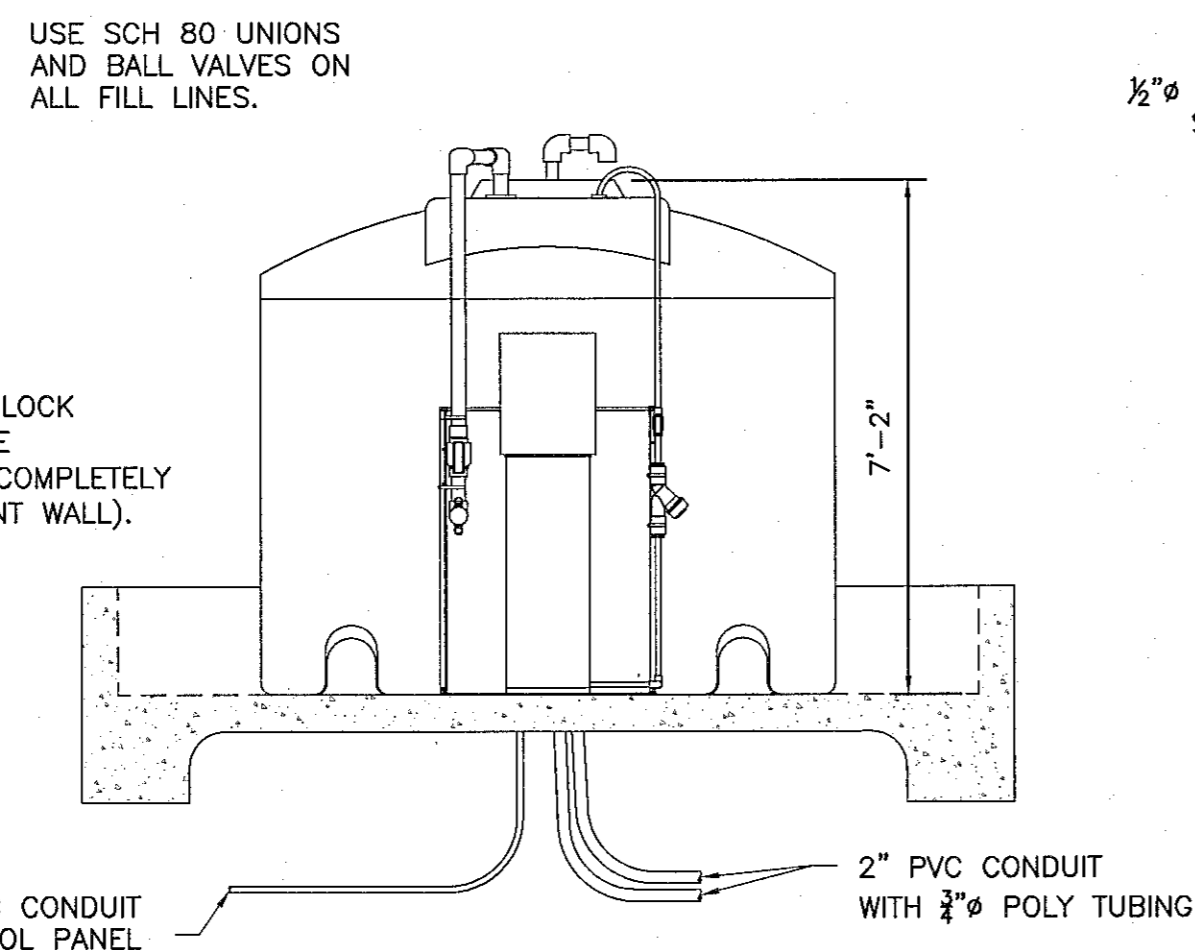


ODOR CONTROL PLAN
3/8" = 1'-0"

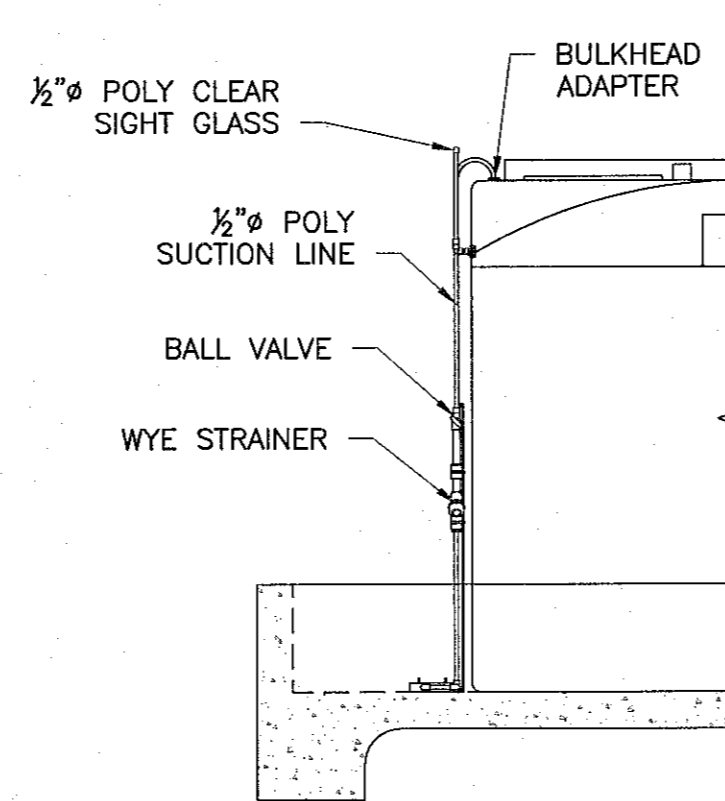
- NOTES:**
- CHEMICAL SYSTEM IS DESIGNED TO CONTROL ODOR THROUGH THE FORCE MAIN AND AT THE FORCE MAIN DISCHARGE.
 - CONTRACTOR TO FURNISH CONCRETE PAD WITH ALL IN-SLAB PIPING AND CONDUIT.
 - CONTAINMENT WALL TO HAVE INSIDE DIMENSIONS OF 12'x12'x1'-6" WITH THE ABILITY TO CONTAIN AT A MINIMUM 1,500-GALLONS OF CHEMICAL.
 - UTILIZE SWEEPS ONLY (NO ELBOWS) FOR CONDUIT DIRECTIONAL CHANGES.
 - CONTRACTOR TO FURNISH AND INSTALL ALL NECESSARY SLAB OPENINGS, SLEEVES, AND SEALANT.
 - CONTRACTOR TO FURNISH AND INSTALL ALL NECESSARY HANGERS, SUPPORTS, AND BLOCKING FOR PIPING.
 - ALL HARDWARE REQUIRED FOR INSTALLATION SHALL BE STAINLESS STEEL.
 - ALL CHEMICAL FEED SYSTEM PIPING WILL BE 1" SCH 80 PVC PIPE UNLESS OTHERWISE NOTED.
 - ALL CONNECTIONS INTO TANK WILL BE WITH BULKHEAD FITTINGS.
 - CAST IN PLACE CONCRETE STRUCTURES REQUIRE SHOP DRAWINGS TO BE SUBMITTED TO THE ENGINEER FOR APPROVAL. CONCRETE TO BE MIN. 4,000 PSI, 28 DAY STRENGTH.



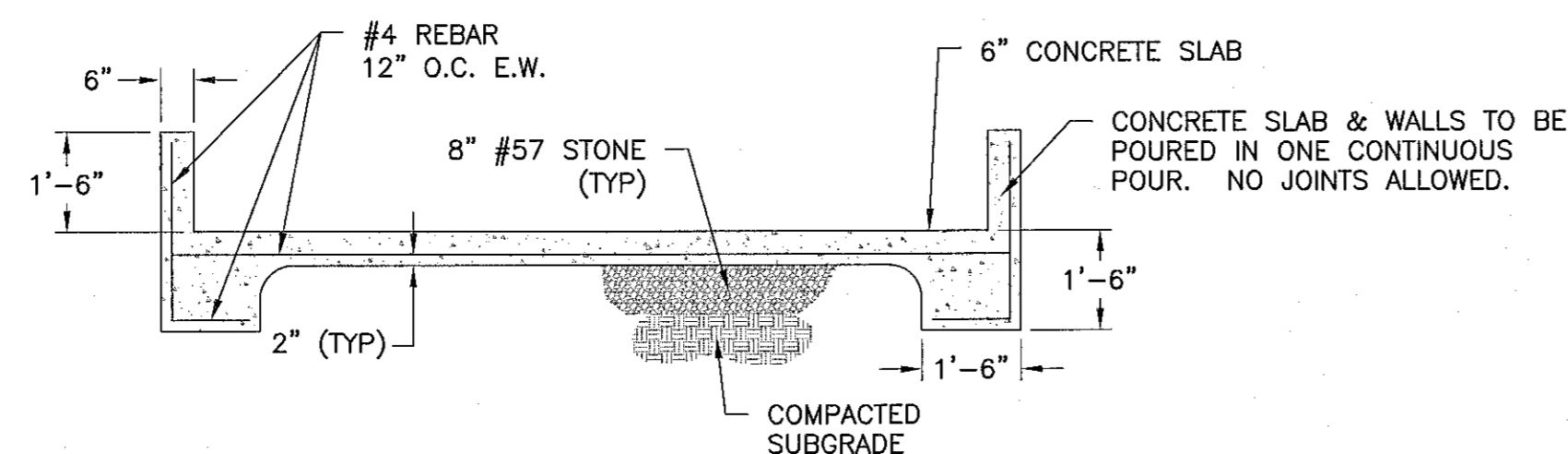
SECTION B-B
3/8" = 1'-0"



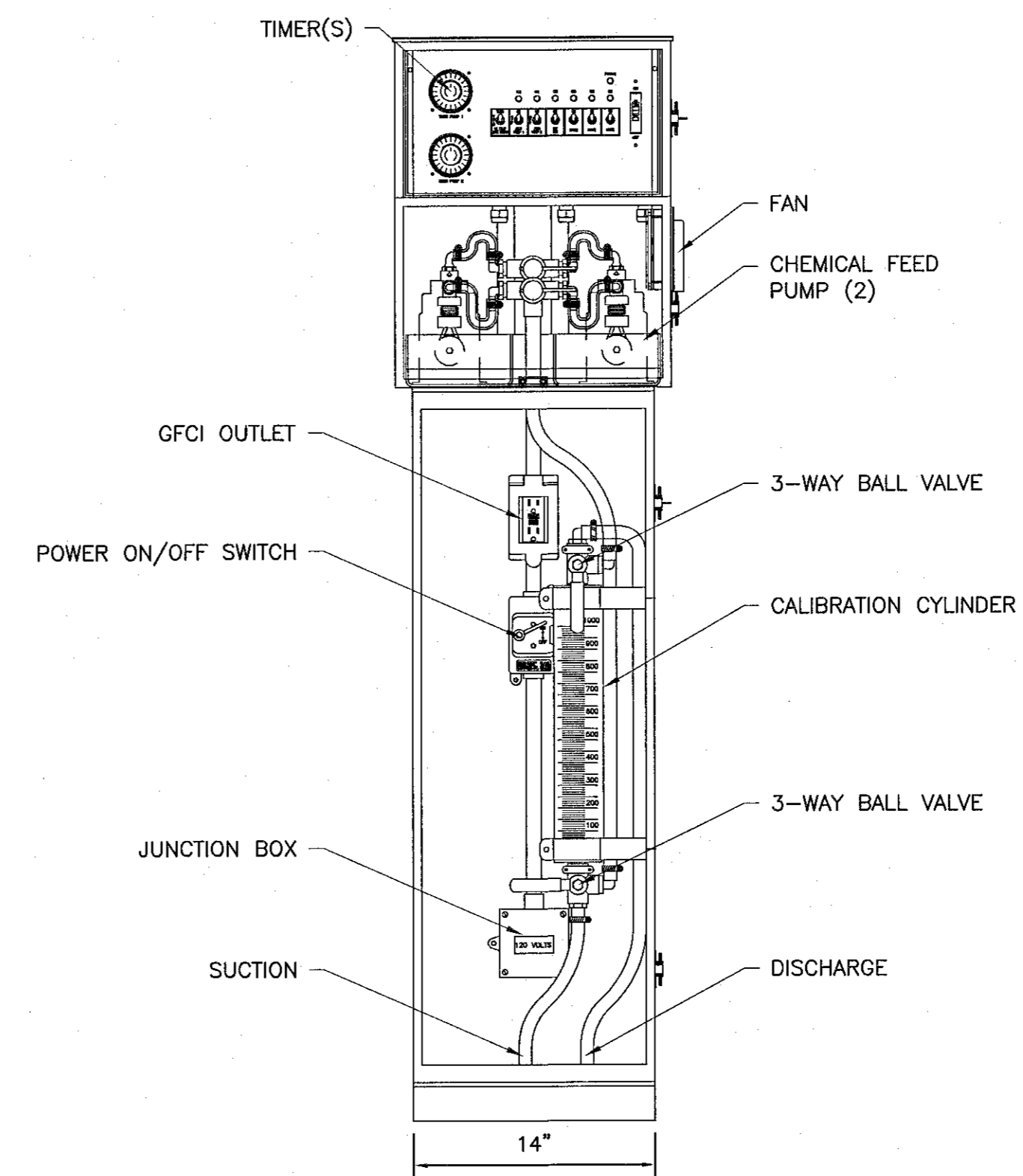
SECTION A-A
3/8" = 1'-0"



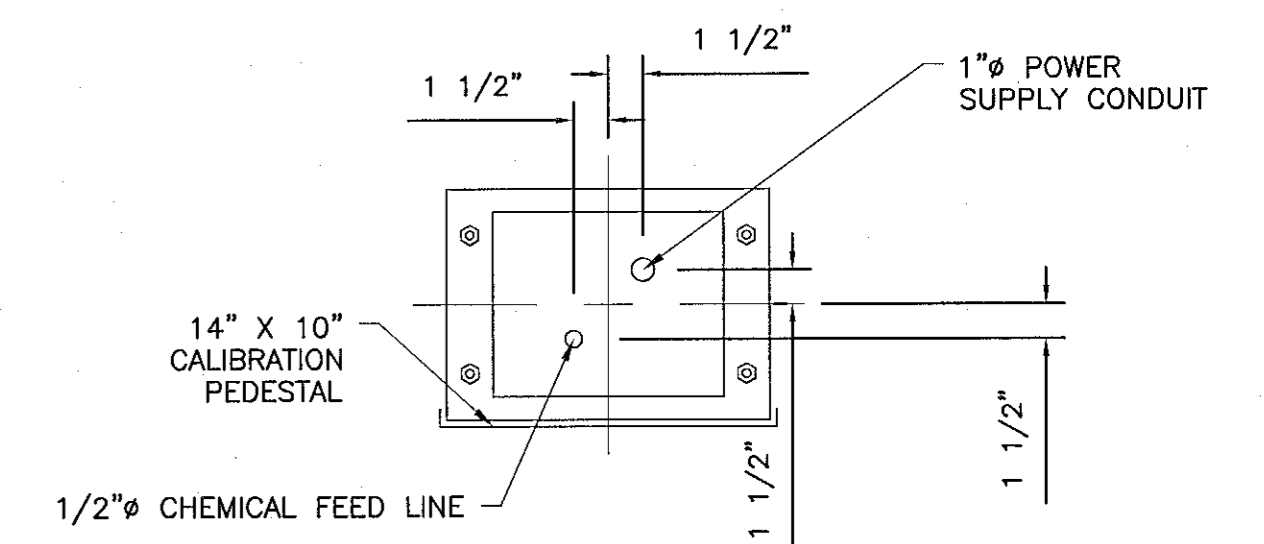
SECTION C-C
3/8" = 1'-0"



CONCRETE CONTAINMENT SECTION
3/8" = 1'-0"



ODOR CONTROL UNIT DETAIL
1 1/2" = 1'-0"



PEDESTAL DETAIL
1 1/2" = 1'-0"

4/1/11-0001/4038-northwest community abate pn/0001 WEST PUMP STATION/CHEMICAL CONTAINMENT.dwg Tuesday, February 03, 2015 11:43:37 AM - MCCLURE, DAVID

No.	Revision	Date	By

Designer	DAM	Scale	AS NOTED
Drawn By	KMT	Date	02/03/2015
Checked By	CNH	Job No.	2140308.00

THE ESTATES AT YATES POND
TEMPORARY PUMP STATIONS & FORCE MAIN

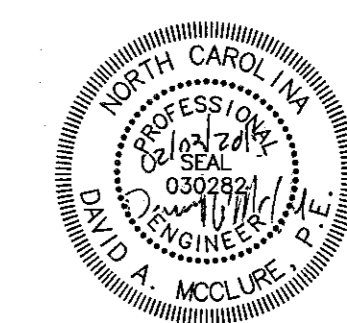
Town of Cary Wake County North Carolina

WEST PUMP STATION CHEMICAL FEED SYSTEM

WITHERS & RAVENEL
ENGINEERS | PLANNERS | SURVEYORS

115 MacKenan Drive Cary, North Carolina 27511 tel: 919-469-3340 www.wITHERSRAVENEL.com License No. C-0382

Sheet No.
WPS-5



Cary Project Number 14-SP-065
Cary HTE #: 15-0489
Approved by the Town of Cary
Development Review Committee
Planner: *John Lee MS* Date: *3 Mar 2015*