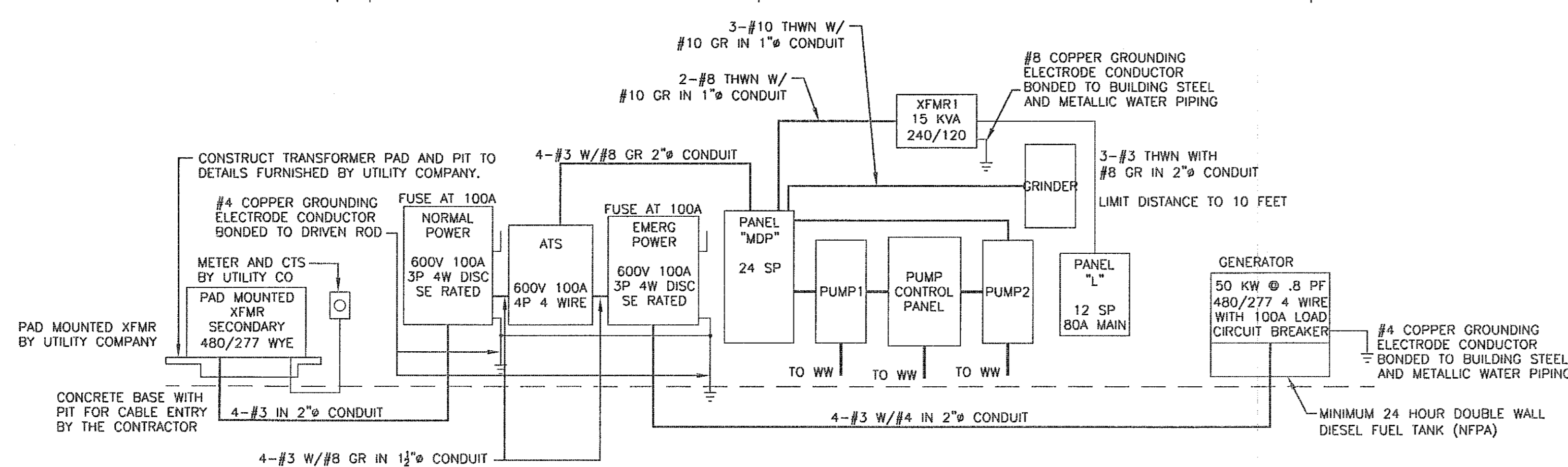
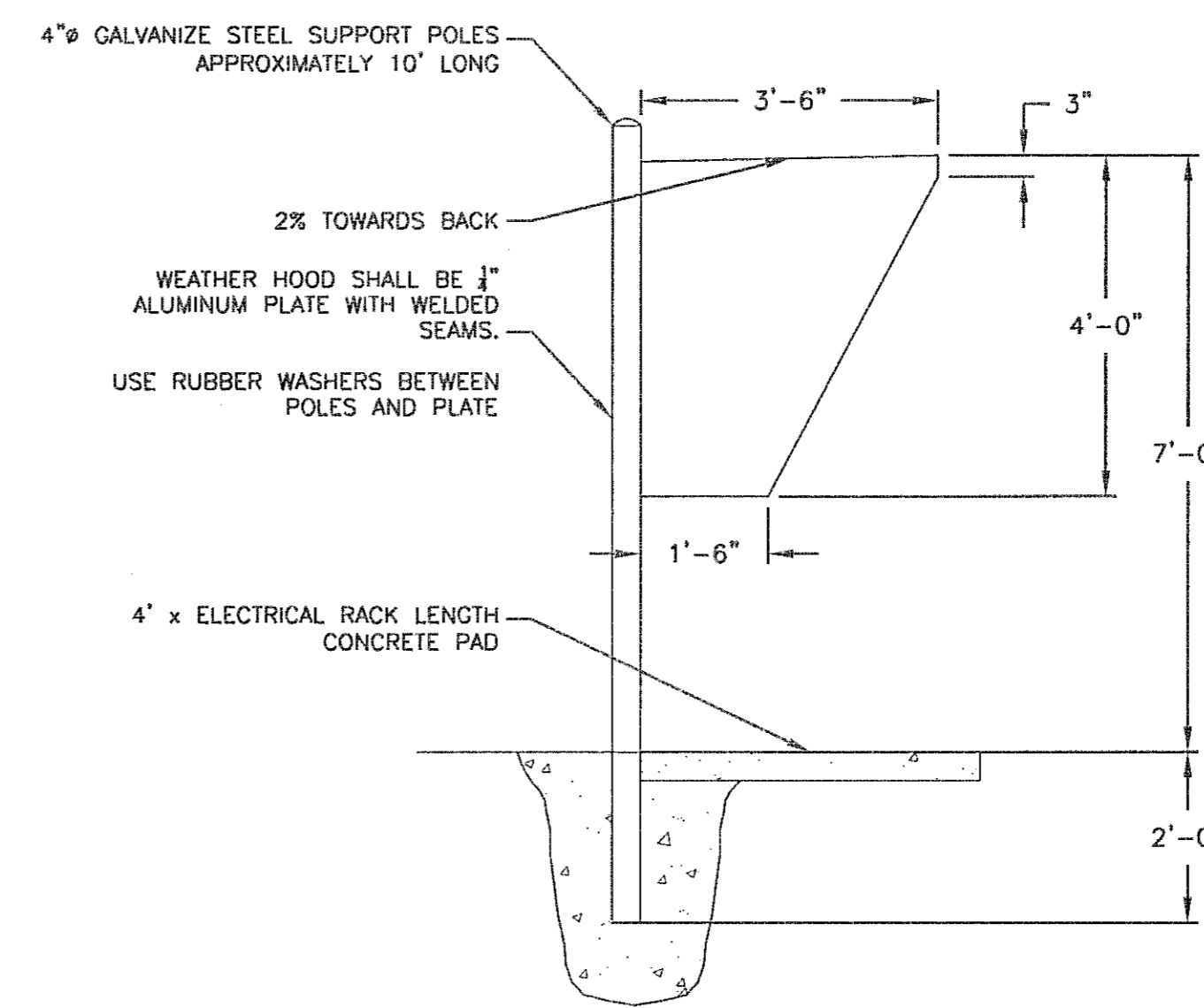
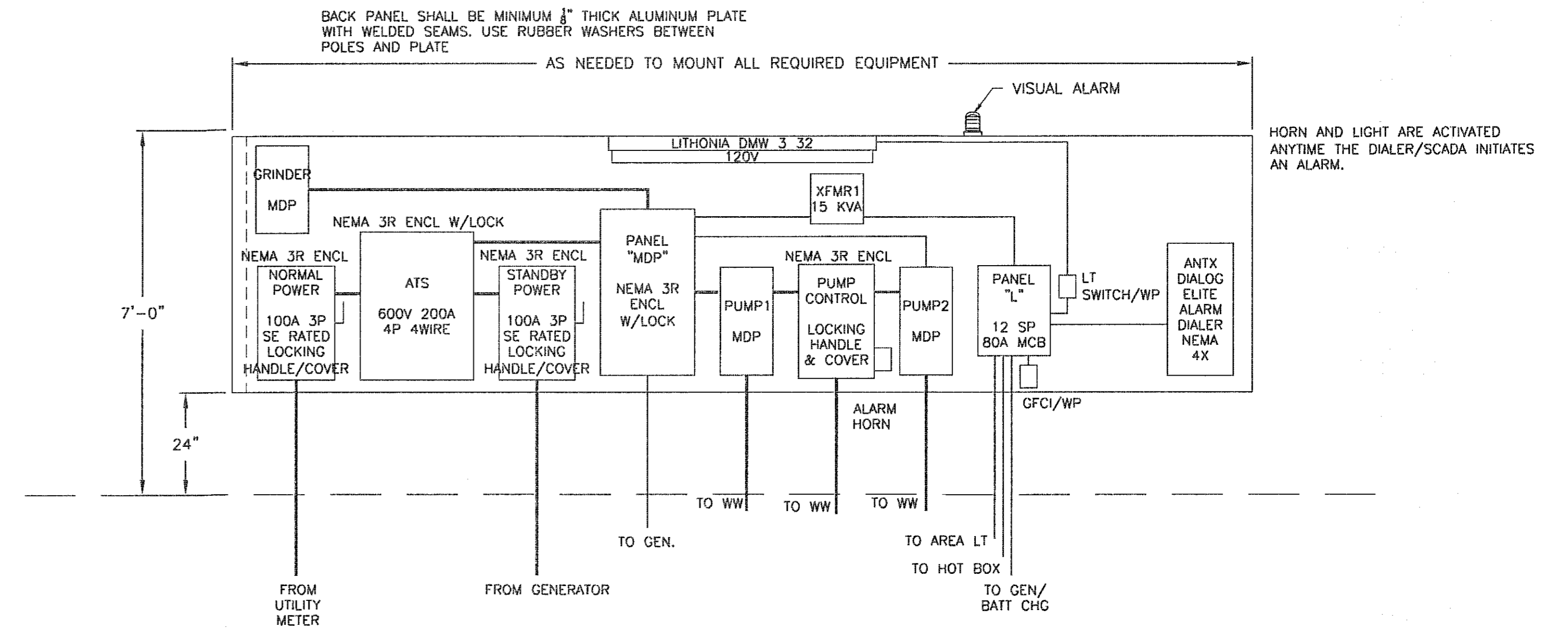


ELECTRICAL PLAN
NOT TO SCALE



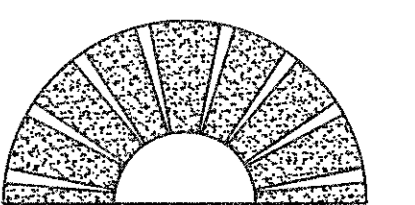
ELECTRICAL RISER DIAGRAM
NOT TO SCALE



ELECTRICAL SERVICE ARRANGEMENT SECTION VIEW
NOT TO SCALE

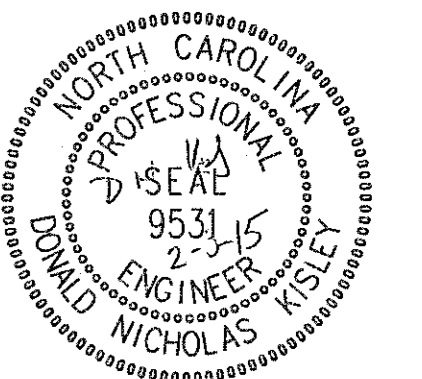
NOTES:

1. ALL ENCLOSURES TO BE NEMA 3R OR BETTER
2. ALL TRANSFORMERS TO BE THREE PHASE GENERAL PURPOSE DRY-TYPE FOR OUTDOOR USE UNLESS OTHERWISE NOTED.
3. FURNISH AND INSTALL SUITABLE SIZED EQUIPMENT GROUNDING CONDUCTORS IN ALL FEEDERS AND BRANCH CIRCUITS.
4. SOLIDLY GROUND ALL TRANSFORMERS TO THE SERVICE RACK AND BUILDING GROUNDING SYSTEM.
5. ALL DISCONNECTS SHALL BE RATED FOR THE VOLTAGE OF THE SYSTEM IN WHICH THEY ARE INSTALLED AND SHALL BE HEAVY DUTY FUSIBLE TYPE UNLESS NOTED.
6. CONTRACTOR SHALL COORDINATE AND PAY FOR ELECTRICAL SERVICE AND TRANSFORMER TO BE INSTALLED BY UTILITY COMPANY.



D.N. Kisley P.E.

115 MacKenan Drive
Cary, NC 27511
Phone: 460-9091



ELECTRICAL DESIGN



KNOW WHAT'S BELOW.
CALL BEFORE YOU DIG.

Cary Project Number 14-SP-065
Cary HTE #: 15-0489

Approved by the Town of Cary
Development Review Committee

Planner *Valerie G. McG.* Date *3 Mar 2015*

No.	Revision	Date	By	Designer	Scale
				DNK	AS NOTED
				KMT	02/03/2015
				DAM	2140308.00

THE ESTATES AT YATES POND
TEMPORARY PUMP STATIONS & FORCE MAIN
Town of Cary Wake County North Carolina

WEST PUMP STATION ELECTRICAL LAYOUT

WITHERS & RAVENEL
ENGINEERS | PLANNERS | SURVEYORS
115 MacKenan Drive Cary, North Carolina 27511 tel: 919-469-3340 www.wITHERSRAVENEL.COM License No. C0382

Sheet No.
WPS-6