

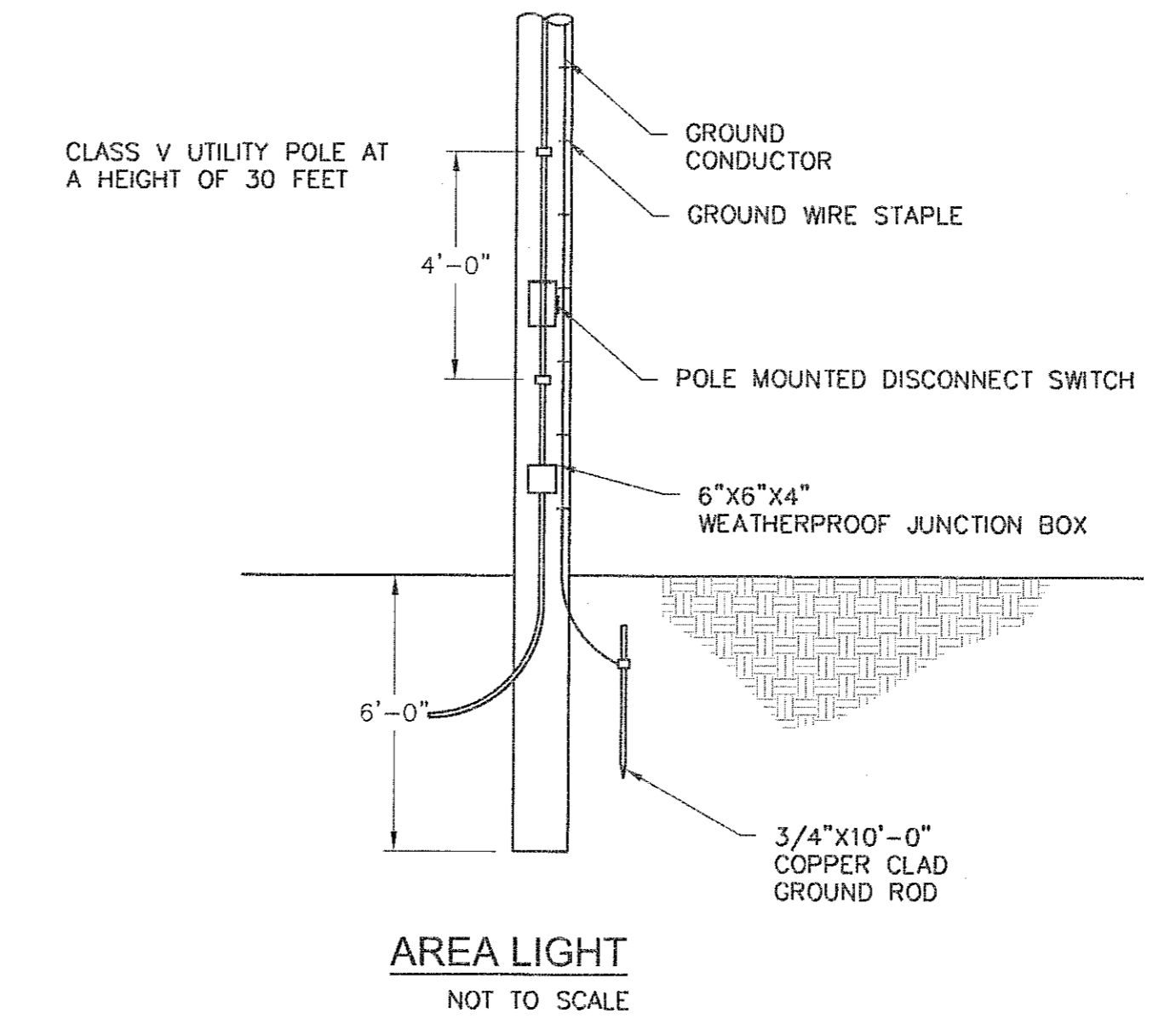
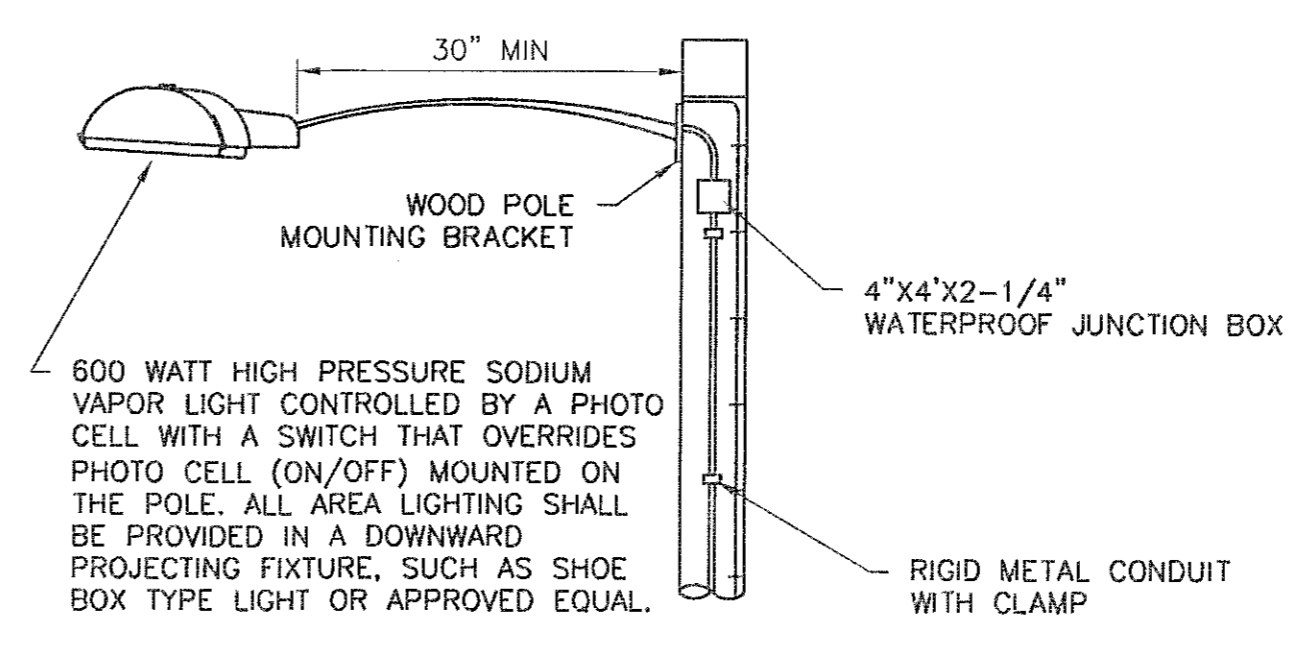
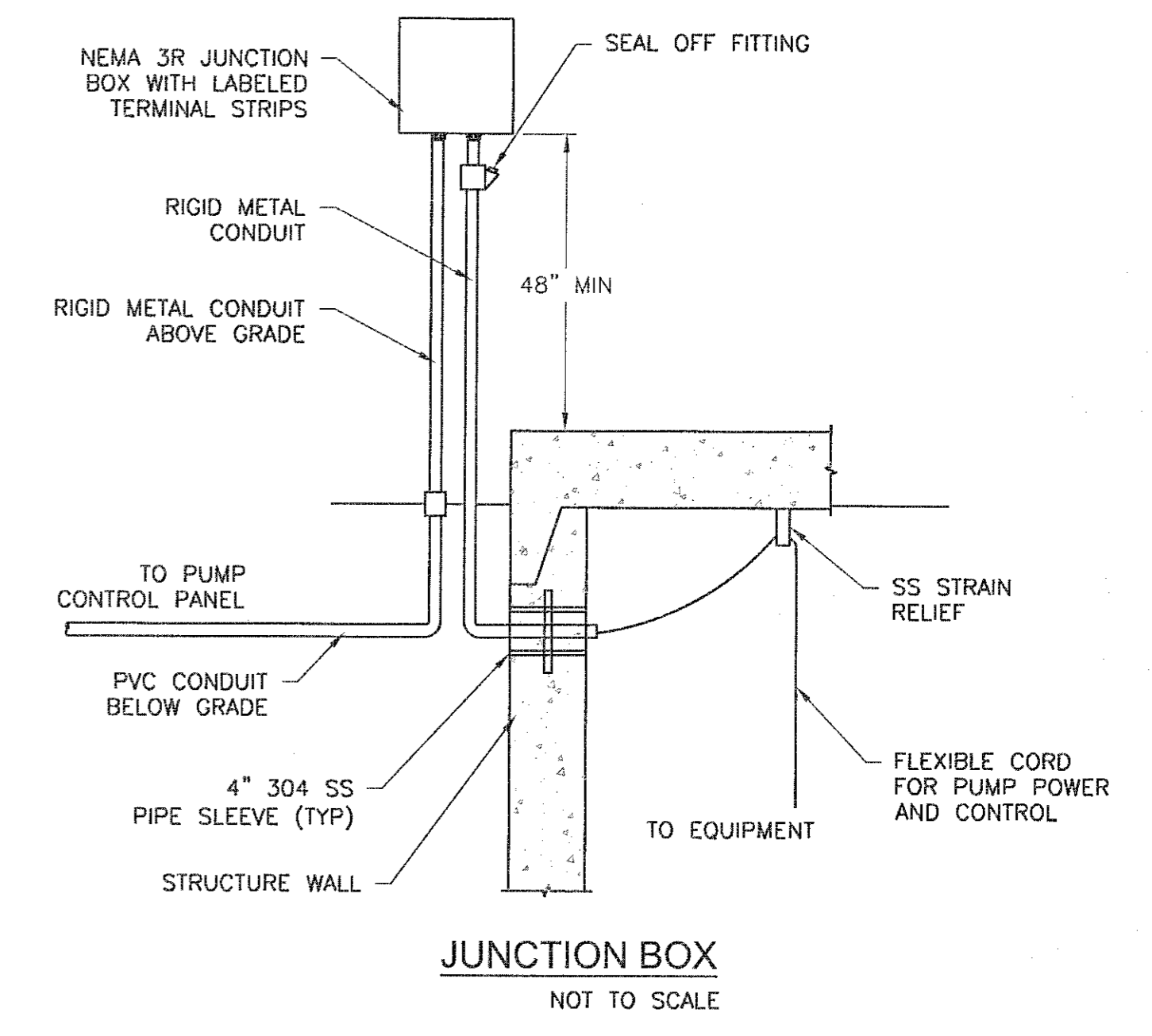
PANEL SCHEDULE "MDP"																					
CKT #	DESCRIPTION	LOAD TYPE	CRITERIA			TOTAL VA	REMARKS	DEVICE AMPS	P	PH	PH	P	DEVICE AMPS	REMARKS	TOTAL VA	CRITERIA			LOAD TYPE	DESCRIPTION	CKT #
			EA	QTY	DEM											EA	QTY	DEM			
3	PUMP 1 STARTER	MTR				13,850									13,850					PUMP 2 STARTER	2
5						13,850									13,850						4
7						2,100									7,000						6
9	GRINDER	MTR				2,100									7,000					XFMR1	8
11						2,100															10
13																					12
15																					14
17																					16
19																					18
ENDUSE LOADS						TOTAL LOADS															
PHASE A VA						CONNECTED KVA						DESIGN FLA									
PHASE B VA						DEMAND KVA															
PHASE C VA						DESIGN KVA															

ALL WIRE SIZES BASED ON 75C THWN/THHN COPPER CONDUCTORS										
DESCRIPTION	LOAD VA	CU WIRE	BREAKER AMPS	CIRCUIT NUMBER	PANEL L	CIRCUIT NUMBER	BREAKER AMPS	CU WIRE	LOAD VA	DESCRIPTION
ALARM DIALER	2,400	12	20	1		2				
BATTERY CHARGER	2,400	12	20	3		4	20	12	2,400	AREA LIGHT
BLOCK HEATER	1,500	10	20	5		6	20	12	2,400	HOT BOX
RECEPTACLE	2,400	12	20	9		8				
				11		10				
						12				
LOCATION	OUTSIDE									
PANEL MOUNTING	SURFACE									
SERVICE	240/120, 1-PHASE, 2-WIRE, AC, FULL NEUTRAL									
MAINS	80A MLO 12 SPACE									
MAIN BREAKER	80A									
CABINET	NEMA 3R									
ACCESSORIES	GROUND BAR									
COMMENTS	LOAD "A" PHASE VA									
	LOAD "B" PHASE VA									

PS=PUMP STATION VENDOR
GS=GENERATOR/ATS SUPPLIER
EC=ELECTRICAL CONTRACTOR

CBOX Channel	Alarm Type	Alarm Status for Circuit	Wire Color Cable 1	Wire Color Cable 2
1	HIGH LEVEL ALARM	CLOSED	RED	RED
2	LOW LEVEL ALARM	CLOSED	WHITE	
3	PUMP #1 HIGH TEMP	CLOSED	BLACK	
4	PUMP #2 HIGH TEMP	CLOSED	GREEN	
5	PUMP #1-SEAL FAILURE	CLOSED	BLACK	
6	PUMP #2-SEAL FAILURE	CLOSED	BLUE	
7	PUMP #1 RUN FAILURE	CLOSED		RED
8	PUMP #2 RUN FAILURE	CLOSED		BLACK
9	GENERATOR RUNNING NO ALARMS	CLOSED		BROWN
10	GENERATOR START FAIL	OPEN		WHITE
11	POSITION SWITCH ON ATS STATION ON COMMERCIAL POWER	OPEN		BLUE
12	POSITION SWITCH ON ATS STATION ON GENERATOR POWER	OPEN		YELLOW

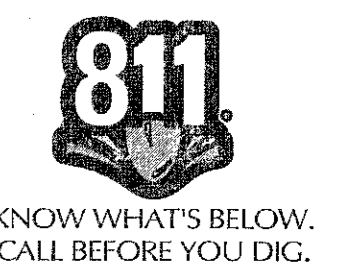
NOTES:
JB ABOVE GROUND JUNCTION BOX TO JOIN EQUIPMENT BRANCH CIRCUIT TO FLEXIBLE LEADS. BOX TO BE WATER PROOF. SEAL FLEXIBLE CABLE ENTRY INTO BOX WITH SEALOFF FITTING (GAS TIGHT). INSTALL KELLUMS CORD GRIPS AT TOP OF STRUCTURES TO SUPPORT VERTICAL SECTIONS OF EQUIPMENT FEED CABLE.
JBC ABOVE GROUND JUNCTION BOX TO JOIN EQUIPMENT CONTROLS TO FLEXIBLE CONTROL WIRE. INSTALL ADEQUATE SIZED WATERTIGHT PVC CONDUIT BELOW GRADE TO EQUIPMENT CONTROL PANELS AS REQUIRED.



D.N. Kiskey P.E.
115 MacKenan Drive
Cary, NC 27511
Phone: 460-9091

NORTH CAROLINA PROFESSIONAL ENGINEER
95316
DOMINIC NICHOLAS KISKEY

ELECTRICAL DESIGN



Cary Project Number 14-SP-065
Cary HTE #: 15-0489
Approved by the Town of Cary
Development Review Committee
Planner *Killeen for Me* Date *3 Nov 2015*

No.	Revision	Date	By	Designer	Scale
				DNK	AS NOTED
				KMT	02/03/2015
				DAM	2140308.00

THE ESTATES AT YATES POND
TEMPORARY PUMP STATIONS & FORCE MAIN
Town of Cary Wake County North Carolina

EAST PUMP STATION ELECTRICAL DETAILS

WITHERS & RAVENEL
ENGINEERS | PLANNERS | SURVEYORS
115 MacKenan Drive Cary, North Carolina 27511 tel: 919-469-3340 www.withersravenel.com License No. C-0382

Sheet No.
EPS-6