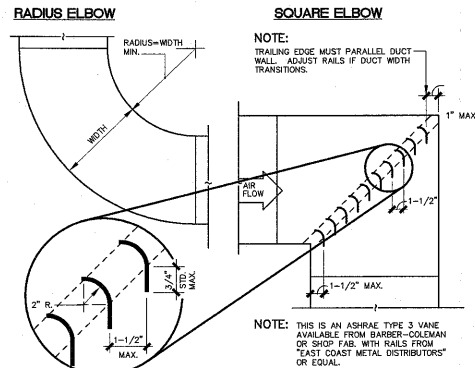
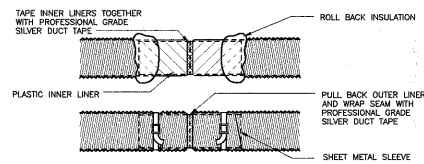


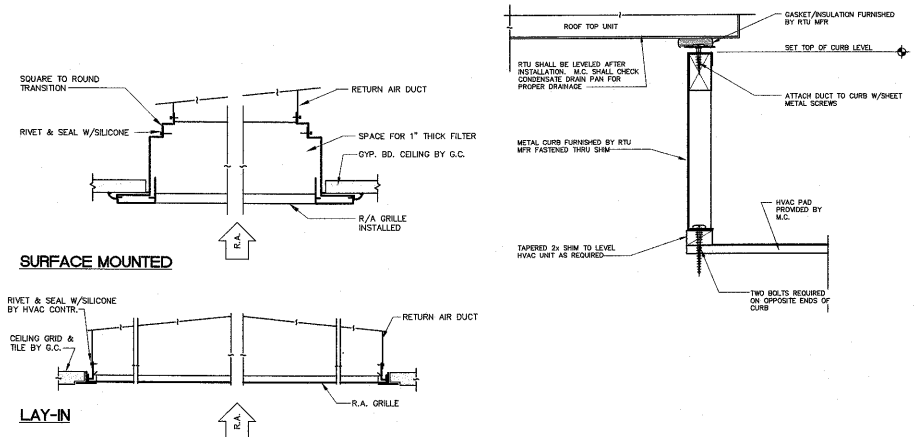
**1** TYPICAL DUCT CONNECTION  
M3 N.T.S.



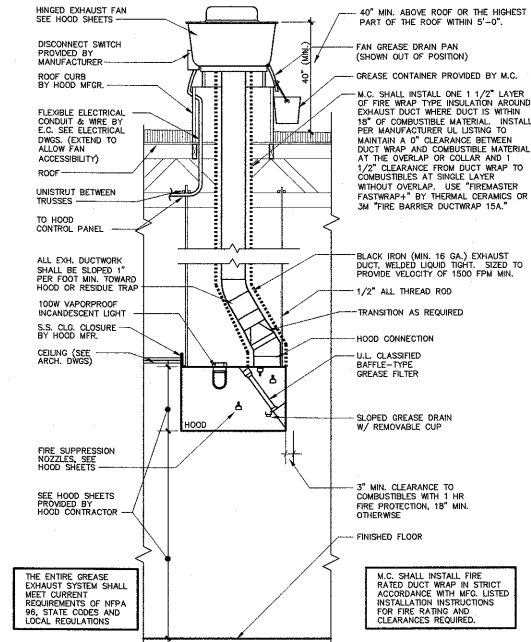
**2** TYPICAL DUCT ELBOW  
M3 N.T.S.



**3** FLEXIBLE DUCT SPLICING DETAIL  
M3 N.T.S.



**4** GRILLE CONNECTION  
M3 N.T.S.



**6** GREASE DUCT INSTALLATION DETAIL  
M3 N.T.S.

- NOTE:
- 1) REQUIREMENTS SHOWN ARE FOR A TYPE "T" HOOD IN A SINGLE STORY BUILDING WITH NON-RATED ROOF ASSEMBLY.
  - 2) HOOD SHALL BE LISTED BY NATIONAL AGENCY, SEE SHEET H1.
  - 3) CLEAN-OUTS SHALL BE PROVIDED IN GREASE EXHAUST DUCT AT ALL CHANGES IN DIRECTION. THE CLEAN-OUT PANEL SHALL BE MADE OF THE SAME MATERIAL AND THICKNESS AS THE DUCT. THE C.O. PANEL SHALL HAVE A GASKET OR SEALANT THAT IS RATED FOR 1500°F MIN. AND SHALL BE GREASE TIGHT. FASTENERS USED TO SECURE THE C.O. PANELS SUCH AS WELDED STUDS, LATCHES, OR WIND NUTS SHALL BE CARBON STEEL AND SHALL NOT PENETRATE DUCT WALLS.
  - 4) G.C. SHALL PROVIDE FIRE RATED ACCESS PANEL AT THE DUCT ENCLOSURE TO ACCESS DUCT CLEANOUTS. A SIGN SHALL BE PLACED ON ALL FIRE SHIELDING ACCESS PANELS STATING "ACCESS PANEL-DO NOT OBSTRUCT".
  - 5) M.C. SHALL VERIFY WITH LOCAL CODE OFFICES ON ACCEPTABILITY OF PARTICULAR DUCTWRAP MODEL AND MANUFACTURER. M.C. SHALL ALSO VERIFY IF LOCAL REQUIRE 2 HOUR RATED DUCT WRAP. INSTALL ONLY LOCALLY APPROVED MATERIAL.



James H. Thomson  
Professional Engineer  
License No. 1717  
State of North Carolina  
LHMT Associates  
Lehmann Meier Herl Thomson Associates  
Engineers  
2808 Joseph P. Ramsey Blvd.  
Durham, North Carolina 27713  
919.286.1100  
www.lhmt.com

THIS DOCUMENT IS THE PROPERTY OF LHMT ASSOCIATES. IT IS TO BE USED ONLY FOR THE PROJECT AND SITE SPECIFICALLY IDENTIFIED HEREON. IT IS NOT TO BE REPRODUCED, COPIED, OR TRANSMITTED IN ANY FORM OR BY ANY MEANS, ELECTRONIC OR MECHANICAL, INCLUDING PHOTOCOPYING, RECORDING, OR BY ANY INFORMATION STORAGE AND RETRIEVAL SYSTEM, WITHOUT THE WRITTEN PERMISSION OF LHMT ASSOCIATES.

**FIVE GUYS**  
FAMOUS BURGERS AND FRIES  
Location: 774 SE MANLY ROAD  
CARY, NORTH CAROLINA  
Drawing: MECHANICAL DETAILS

**FIVE GUYS**  
FAMOUS BURGERS AND FRIES

Revisions

PROJECT DATE  
6/26/06  
DRAWN BY  
FHJ  
CHECKED BY  
RAM  
Sheet No.  
M3