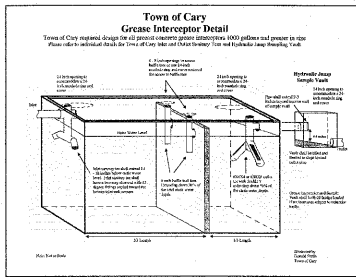
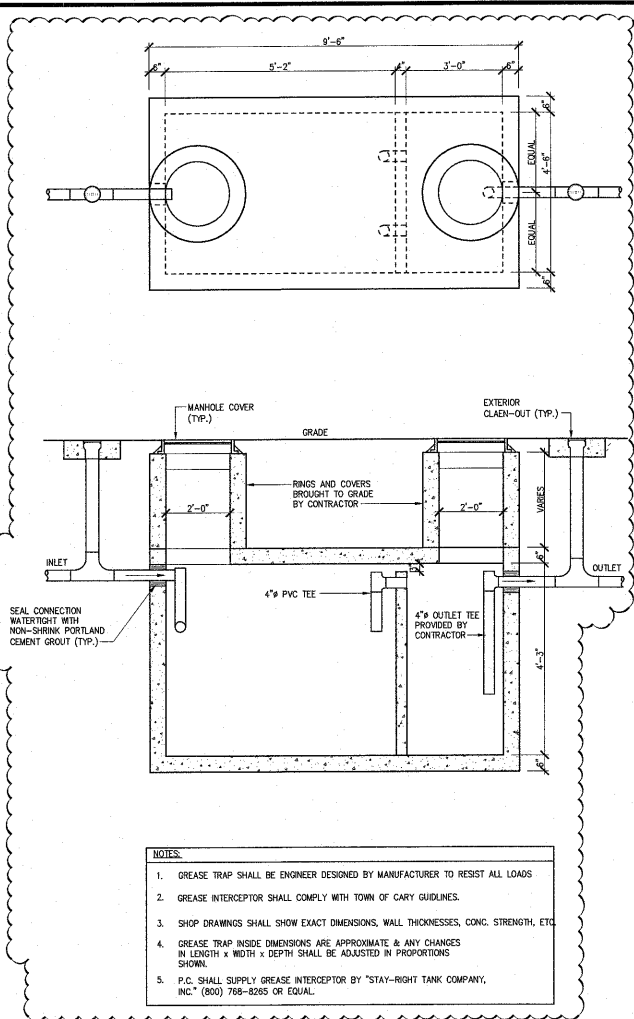
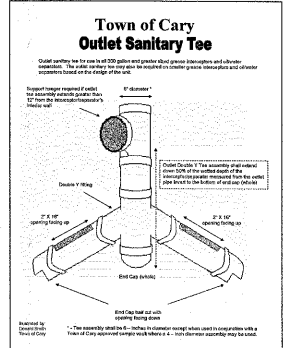
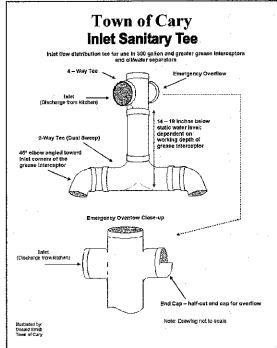


**1 WASTE/VENT PLAN**  
SCALE: N.T.S.

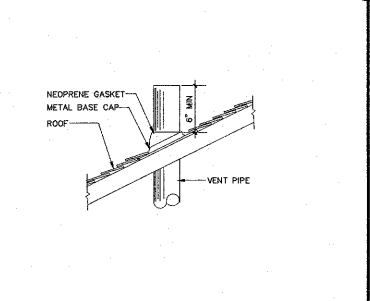


**8 TOWN OF CARY DETAILS**  
SCALE: N.T.S.

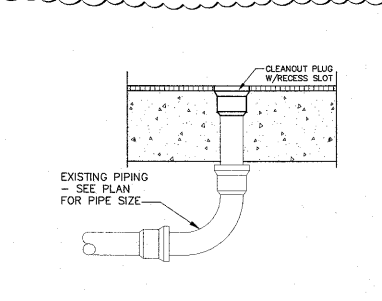


- NOTES:**
- GREASE TRAP SHALL BE ENGINEER DESIGNED BY MANUFACTURER TO RESIST ALL LOADS
  - GREASE INTERCEPTOR SHALL COMPLY WITH TOWN OF CARY GUIDELINES.
  - SHOP DRAWINGS SHALL SHOW EXACT DIMENSIONS, WALL THICKNESSES, CONC. STRENGTH, ETC.
  - GREASE TRAP INSIDE DIMENSIONS ARE APPROXIMATE & ANY CHANGES IN LENGTH x WIDTH x DEPTH SHALL BE ADJUSTED IN PROPORTIONS SHOWN.
  - P.C. SHALL SUPPLY GREASE INTERCEPTOR BY "STAY-RIGHT TANK COMPANY, INC." (800) 768-8265 OR EQUAL.

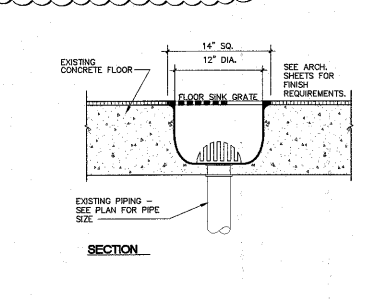
**7 1000 GAL. GREASE INTERCEPTOR**  
SCALE: N.T.S.



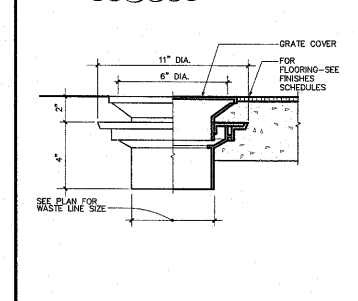
**2 VENT THRU ROOF**  
SCALE: N.T.S.



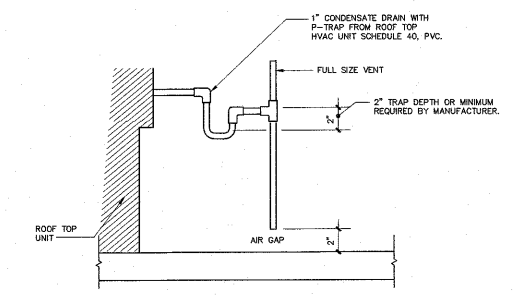
**3 FLOOR CLEANOUT**  
SCALE: N.T.S.



**4 FLOOR SINK DETAIL**  
SCALE: N.T.S.



**5 FLOOR DRAIN DETAIL**  
SCALE: N.T.S.



**6 CONDENSATE DRAIN DETAIL**  
SCALE: N.T.S.

**FIVE GUYS FAMOUS BURGERS AND FRIES**  
Location: 79 SE MAIN RD, CARY, NORTH CAROLINA  
Drawing: WASTE/VENT RISER AND DETAILS

Revisions
1 CITY COMMENTS 8/9/06
PROJECT DATE 6/26/06
DRAWN BY JCL
CHECKED BY SAM
Sheet No. <b>P3</b>