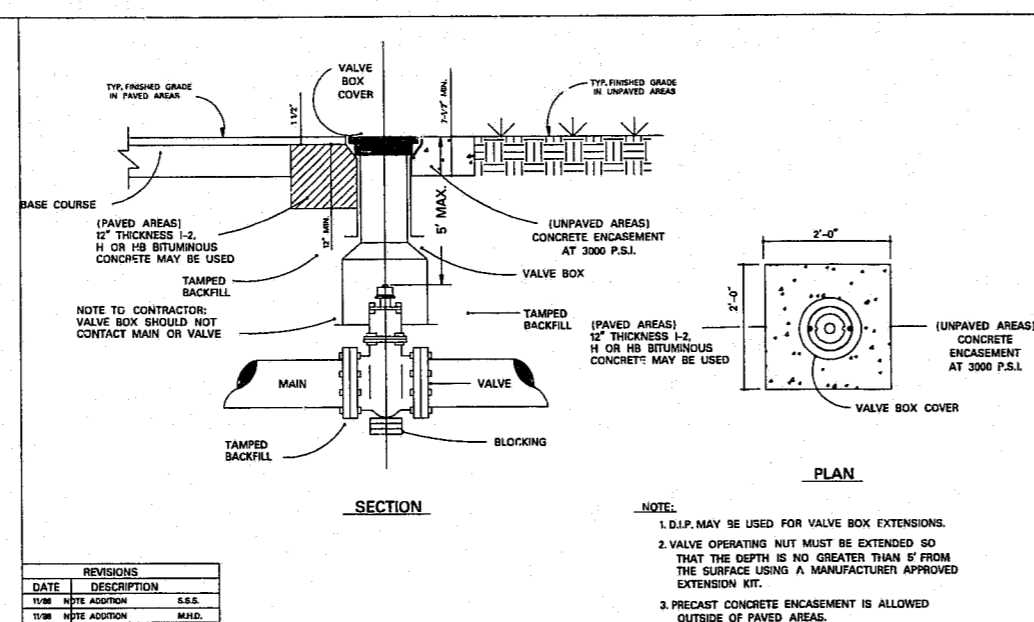
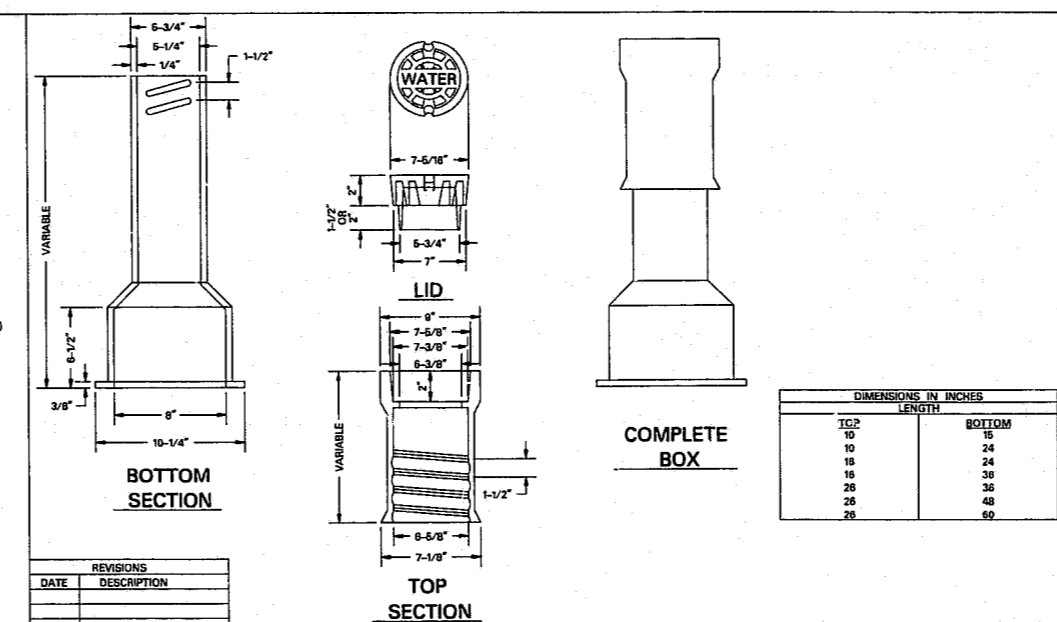


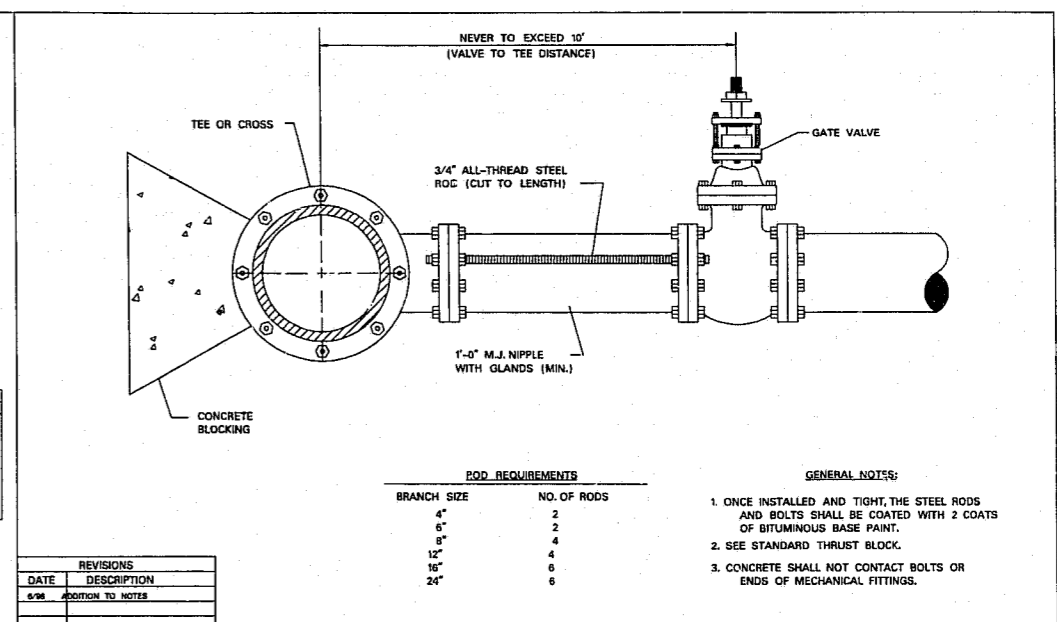
STANDARD HYDRANT LOCATION
STD. No. 6.07



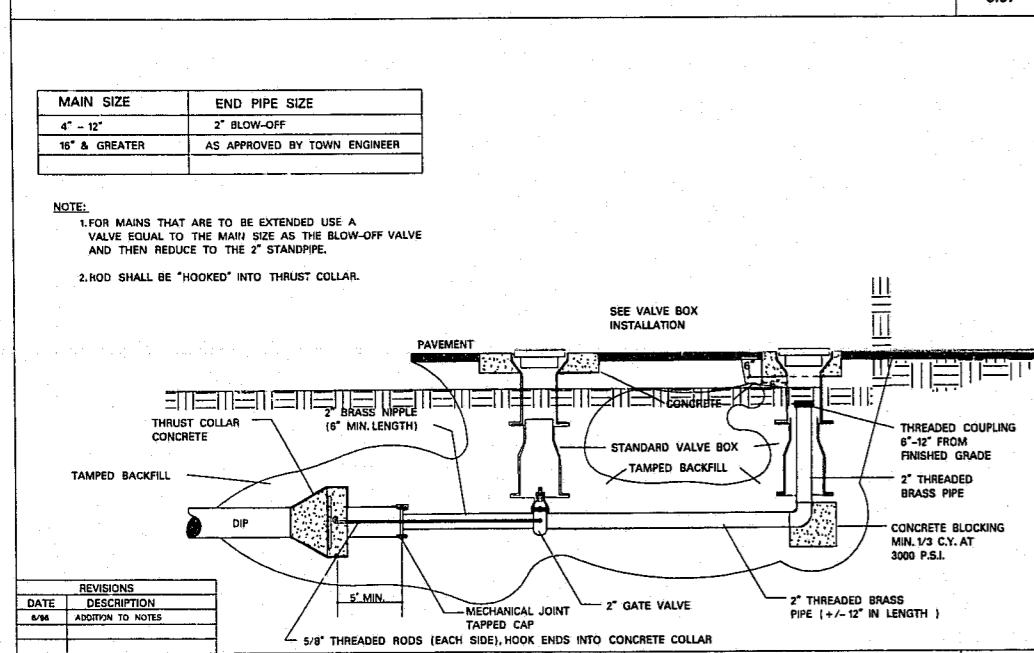
STANDARD VALVE BOX INSTALLATION
STD. No. 6.08



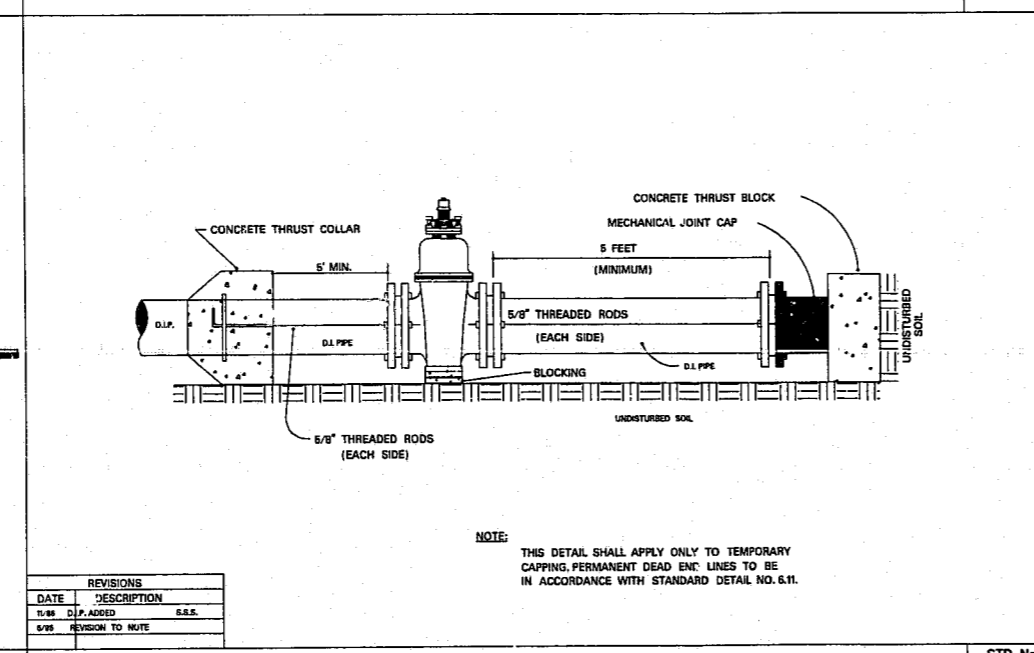
STANDARD VALVE BOX INSTALLATION
STD. No. 6.08



STANDARD VALVE RODDING
STD. No. 6.09



STANDARD 2" BLOW-OFF ASSEMBLY
STD. No. 6.11



STANDARD CAPPING DETAIL
STD. No. 6.12

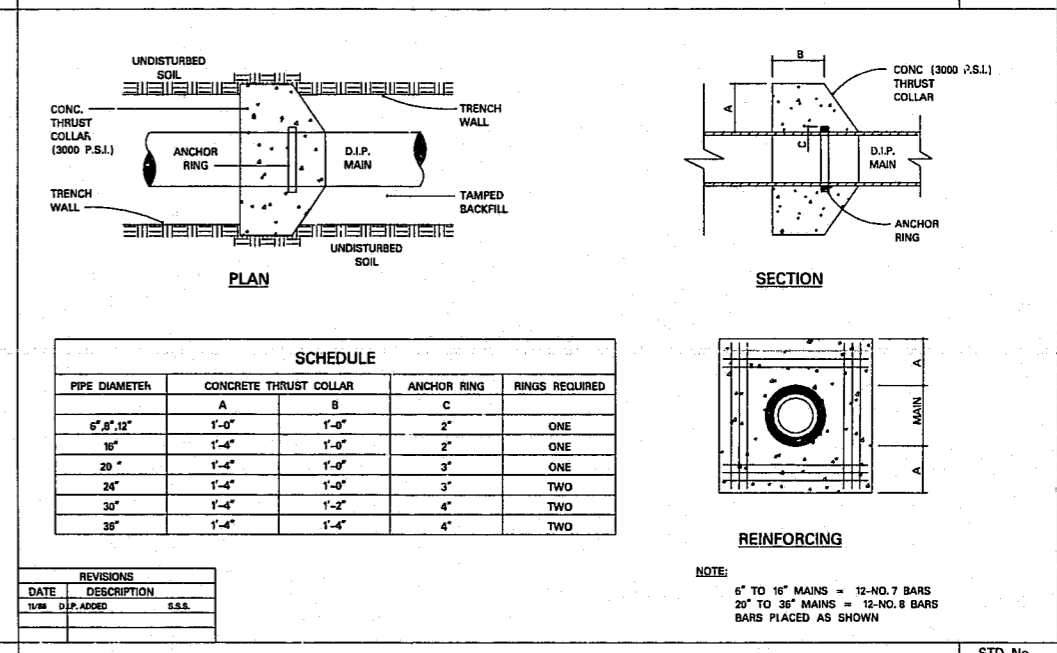
MINIMUM CONCRETE BLOCKING (C.Y.) *

NOM. PIPE DIA. IN.	TEES & DEAD ENDS	90° BEND	45° BEND	22-1/2° BEND	15-1/4° BEND
4	1/3	1/3	1/3	1/3	1/3
6	1/3	1/3	1/3	1/3	1/3
8	1/3	1/2	1/3	1/3	1/3
10	2/3	3/4	1/2	1/3	1/3
12	3/4	1.0	2/3	1/3	1/3
14	1.0	1-1/2	3/4	1/2	1/3
16	1-1/2	2.0	1.0	1/2	1/3
18	1-2/3	2-1/3	1-1/2	2/3	1/3
20	2.0	3.0	1-2/3	3/4	1/2
24	3.0	4-1/2	2-1/3	1-1/2	2/3

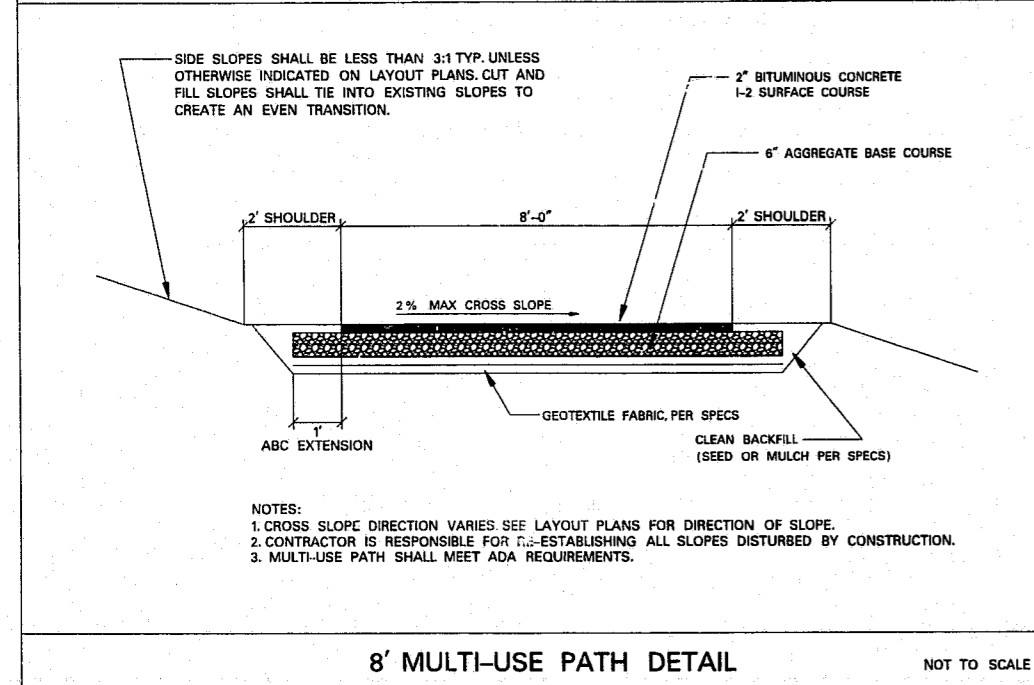
* CONCRETE SHALL BE 3000 P.S.I. MIN.

NOTE: ITEMS SHALL BE WRAPPED WITH A MINIMUM 4 MIL PLASTIC OR CONCRETE SHALL COVER BOLTS OR BOLTS.

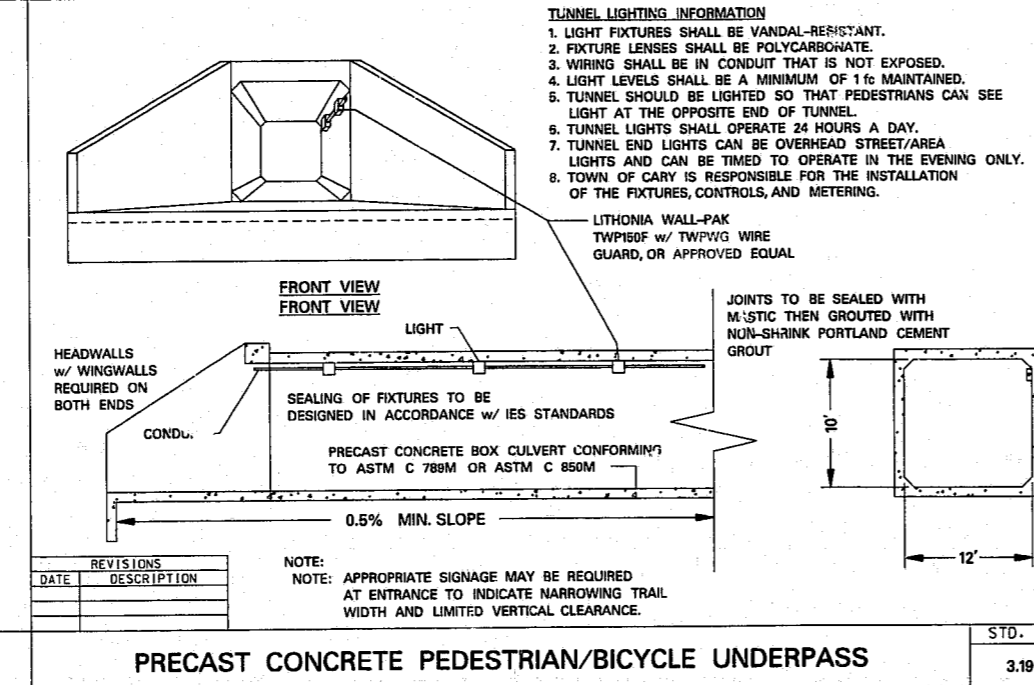
STANDARD REACTION BLOCKING
STD. No. 6.13



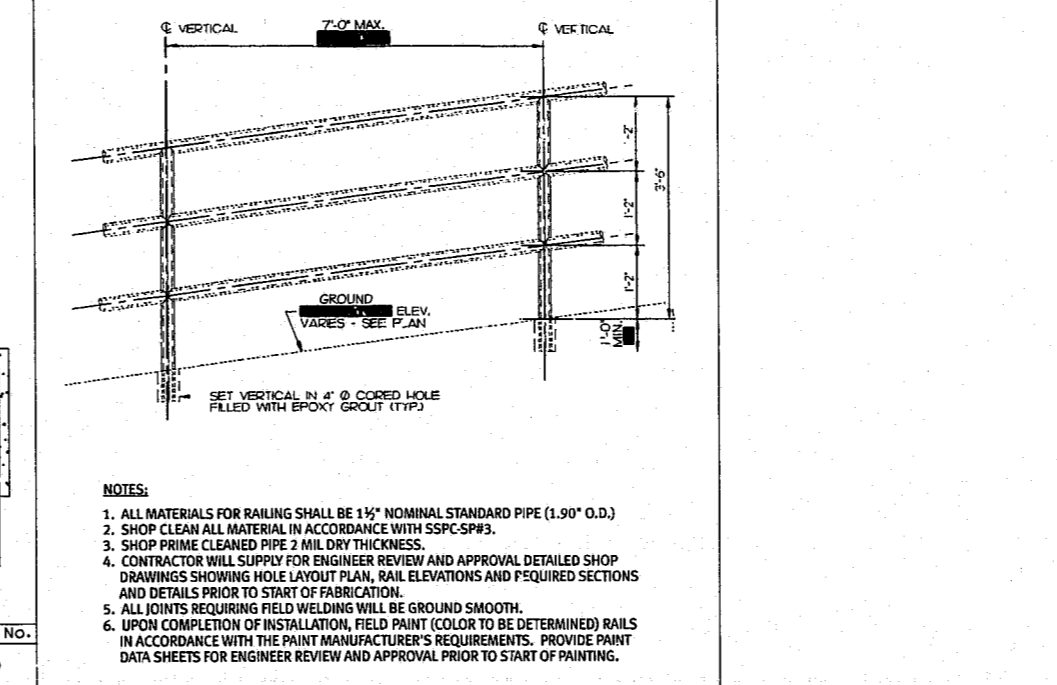
STANDARD THRUST COLLAR INSTALLATION
STD. No. 6.14



8' MULTI-USE PATH DETAIL
NOT TO SCALE



PRECAST CONCRETE PEDESTRIAN/BICYCLE UNDERPASS
STD. No. 3.19

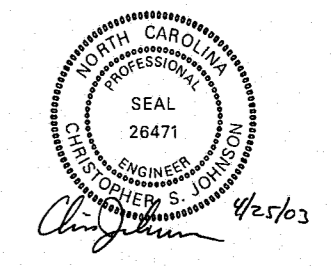


HANDRAIL DETAIL
NOT TO SCALE

UTILITY CONTACTS

TOWN OF CARY	BILL DUGGINS	469-4393
PUBLIC SERVICE COMPANY	REID CRANE	981-3278
CAROLINA POWER & LIGHT	JB JONES	481-6153
TIME WARNER	DON HOLZAPFEL	422-0657
BELLSOUTH	JOHN ALTIZER	785-7793

APPROVED
TOWN OF CARY
DRC 4-24-03 Date
Planning 12-23 Date 4-24-03
Engineering 13 Date 4-24-03



D:\CADD\2003\1001010101.dgn

1	TOC 1ST REVIEW COMMENTS	6/24/02	CSJ
2	TOC 2ND REVIEW COMMENTS	7/16/02	CSJ
3	TOC 3RD REVIEW COMMENTS	8/21/02	CSJ
4	WITHERS & RAVENEL, INC.	12/12/02	CSJ
5	NCDOT 1st REVIEW COMMENTS	4/1/03	CSJ
6	NCDOT 2nd REVIEW COMMENTS	4/25/03	CSJ

Designer	CSJ	Scale	1" = 50'
Drawn By	CSJ	Date	APRIL, 2003
Checked By	JEC	Job No.	201115

GREEN LEVEL TO DURHAM ROAD
WIDENING AT CARY PARK PUD
CARY, NORTH CAROLINA

UTILITY & GREENWAY DETAILS

WITHERS & RAVENEL
ENGINEERS | PLANNERS | SURVEYORS
11 MacKean Drive Cary, North Carolina 27511 tel: 919-469-3340 fax: 919-467-6008 www.withersravenel.com