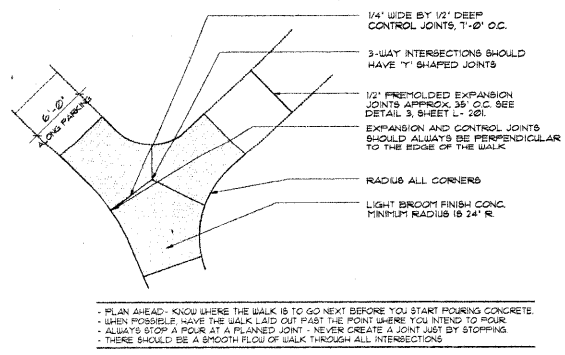
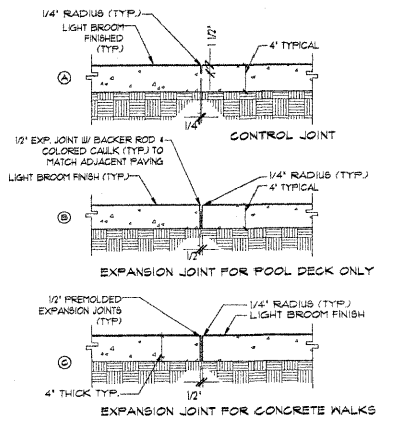


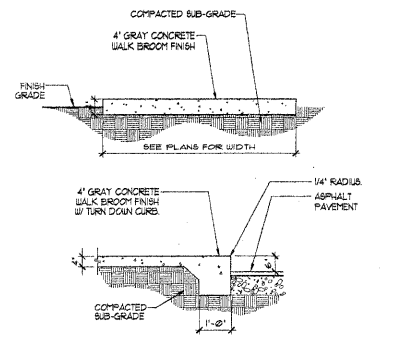
H:\Projects\Grove at Cary Park\Submittal 04-27-02\5\leapad.dwg The Apr 16 09:52:33 2002 R: Thomas  
 © JERRY TURNER & ASSOCIATES, INC. THIS DOCUMENT IS THE PROPERTY OF JERRY TURNER & ASSOCIATES, INC. ALL RIGHTS ARE RESERVED AND ANY REPRODUCTION, REPRODUCTION, OR OTHER USE OF THIS DOCUMENT WITHOUT THE PRIOR PERMISSION OF JERRY TURNER & ASSOCIATES IS EXPRESSLY PROHIBITED.



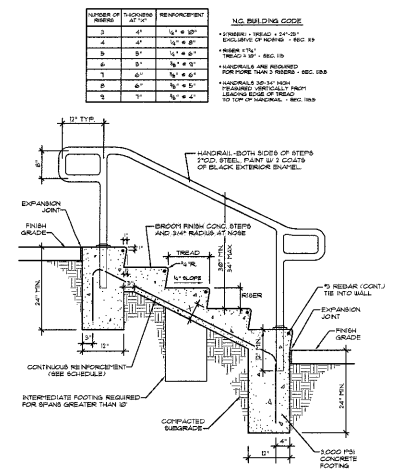
**7** **SIDEWALK LAYOUT** NTS



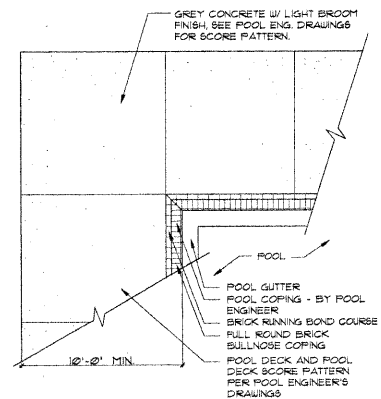
**5** **JOINT DETAILS** NTS



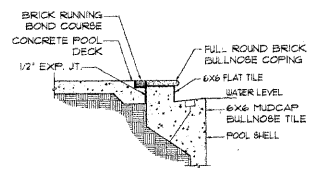
**3** **CONCRETE SIDEWALK SECTIONS** NTS



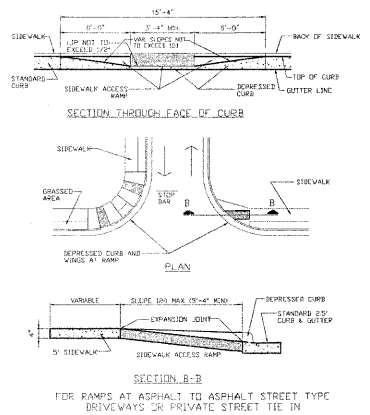
**1** **STEPS (CONCRETE)** NTS



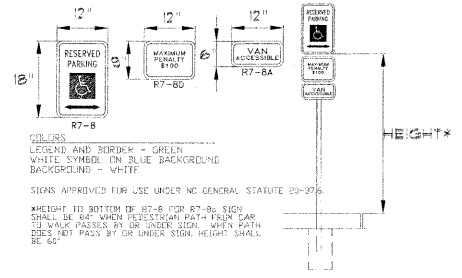
**8** **CONC. PAVING AT POOL DECK** NTS



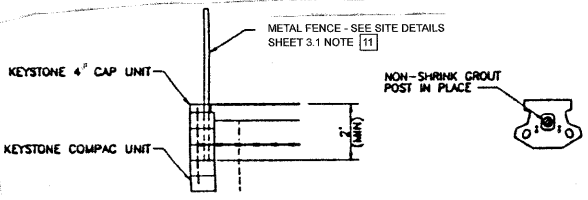
**6** **POOL DECK SECTION** NTS



**4** **HC RAMPS** NTS



**2** **HC SIGN** NTS



**9** **FENCE ALONG KEYSTONE WALL** NTS

NUMBER OF REBAR	SPACING	REINFORCEMENT	NC BUILDING CODE
3	4"	1/2" # 5P	* 1989 - 1992 - 5-10-1
4	4"	3/8" # 5P	* 1993 - 1995 - 1-10-1
5	5"	1/2" # 5P	* 1996 - 1997 - 5-10-1
6	5"	3/8" # 5P	* 1998 - 1999 - 5-10-1
7	5"	1/2" # 5P	* 2000 - 2001 - 5-10-1
8	5"	3/8" # 5P	* 2002 - 2003 - 5-10-1
9	5"	1/2" # 5P	* 2004 - 2005 - 5-10-1



**JERRY TURNER & ASSOCIATES, INC.**

Landscape Architecture  
Land Planning  
Environmental Design

905 Jones Franklin Road  
Raleigh, North Carolina 27606  
(919) 851-7150 fax (919) 851-7547

277 S.E. 5th Avenue  
Delray Beach, Florida 33483  
(561) 276-0453 fax (561) 272-7583

**THE GROVE  
AT  
CARY PARK  
(PARCEL MR-9)**

CARY, NORTH CAROLINA

REVISIONS  
3/4/02  
4/2/02

DRAWN: RT  
CHECKED: LH  
SCALE: DATE  
AS SHOWN: 11/5/01  
TITLE:

**SITE  
DETAILS**

FILE NO: JOB NO:  
1536.35

SCALE: SHEET NO:

01-SB-012  
**APPROVED**  
TOWN OF CARY  
Approved by DRC Date 5-22-02  
Planning Date 6-13-02  
Engineering Date 6-12-02

