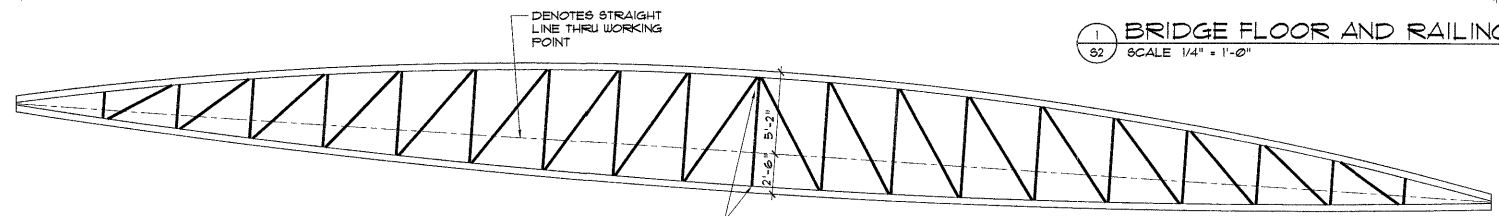
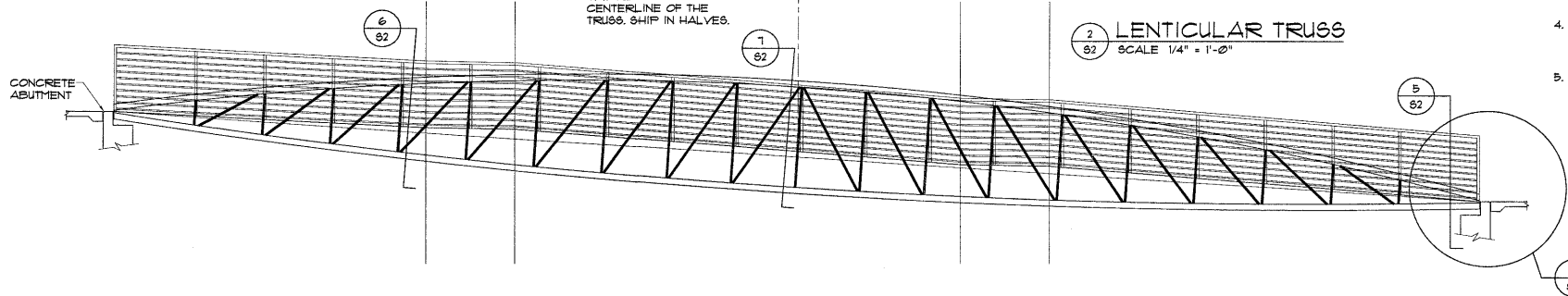


1 BRIDGE FLOOR AND RAILING
SCALE 1/4" = 1'-0"

- F. PREFABRICATED BRIDGE
- THE PREFABRICATED BRIDGE MANUFACTURER SHALL DESIGN THE PREFABRICATED BRIDGE IN ACCORDANCE WITH THE 2002 EDITION OF THE NORTH CAROLINA STATE BUILDING CODE. SUBMIT LOADING REACTIONS TO THE FOUNDATION ENGINEER.
 - THE PREFABRICATED BRIDGE SYSTEM SHALL BE AS SUPPLIED BY:
 - STEADFAST, INC.
P.O. BOX 806
FT. PAYNE, AL 35961
(205) 845-4104 PHONE
(205) 845-3150 FAX
 - HALLSTEN SUPPLY CO.
P.O. BOX 41036
SACRAMENTO, CA 95841
(916) 331-1211
(916) 331-1223 FAX
 - CONTINENTAL BRIDGE
ALEXANDRIA, MINNESOTA 55431
(800) 328-2041
(612) 852-1500

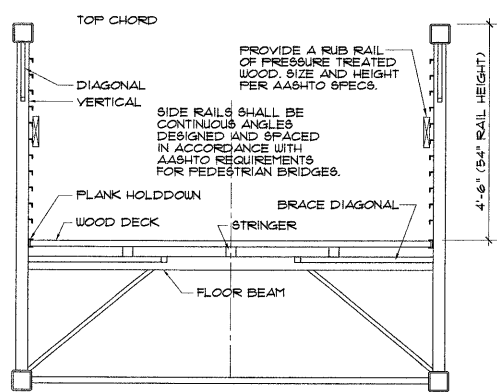


2 LENTICULAR TRUSS
SCALE 1/4" = 1'-0"

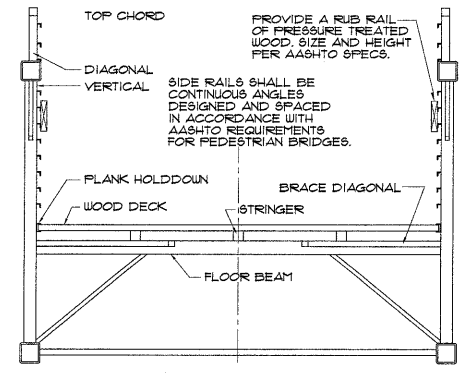


3 PEDESTRIAN BRIDGE
SCALE 1/4" = 1'-0"

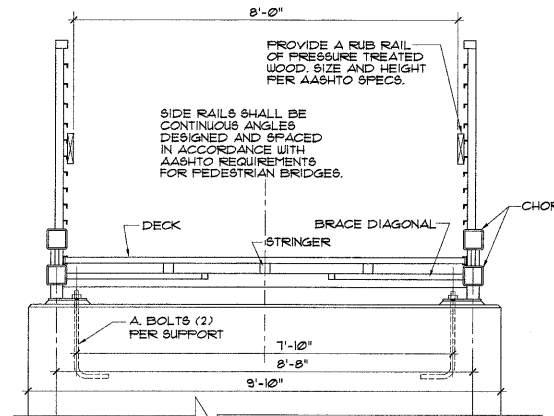
01-15-02
APPROVED
TOWN OF CARY
Approved by DCC Date 5-22-02
Planning Date 4-13-02
Engineering TS Date 6-12-02



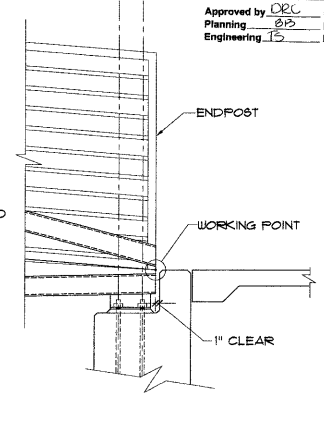
1 SECT. @ CENTERLINE
SCALE 3/4" = 1'-0"



6 BRIDGE SECTION
SCALE 3/4" = 1'-0"



5 SECTION @ BEARING
SCALE 3/4" = 1'-0"



4 BEARING DETAIL
SCALE 3/4" = 1'-0"

NO.	REVISION	DATE	BY

Designer: DCF
Scale: As Noted
Drawn By: CCL, DCF
Date: JUNE 4, 2002
Checked By: DCF
Job No.: 02021

THE GROVE AT CARY PARK

8 FOOT WIDE PEDESTRIAN BRIDGE (BASE BID)
LENTICULAR TRUSS ELEVATION AND RAILING DETAILS.

WITHERS & RAVENEL
ENGINEERS | PLANNERS | SURVEYORS
111 MacKinnon Drive Cary, North Carolina 27511 Tel: 919-487-3340 Fax: 919-487-8008 www.wITHERSANDRAVENEL.COM