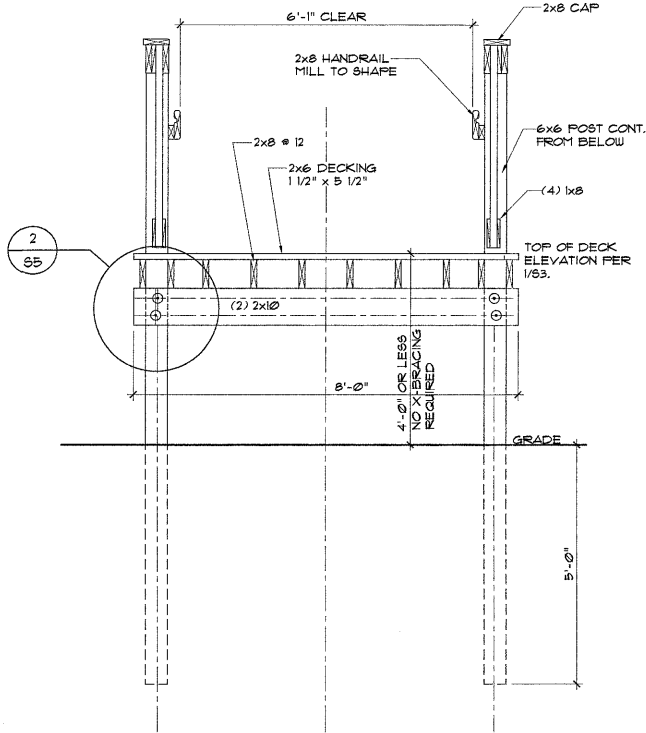
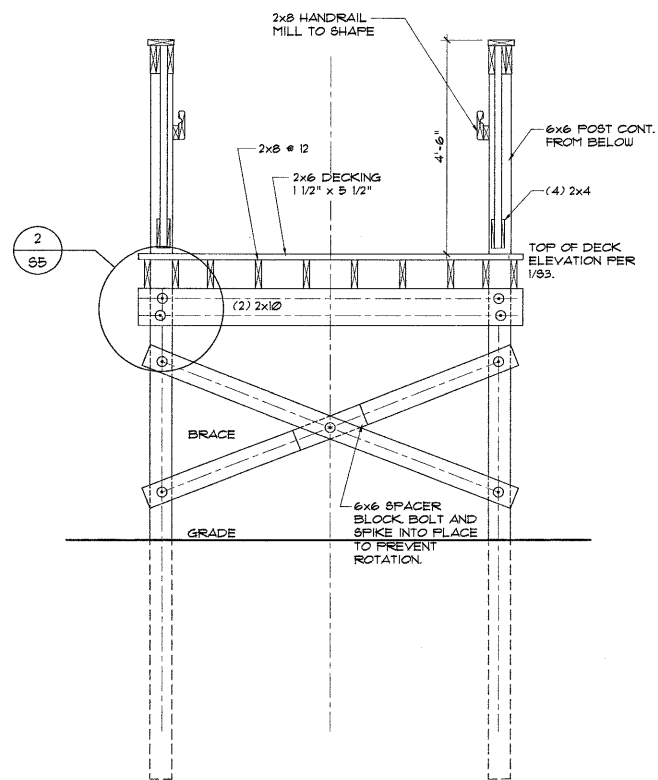


3 SECTION @ BENT
 SCALE 3/4"=1'-0"



1 SECTION @ BENT
 SCALE 3/4"=1'-0"



2 SECTION @ BENT
 SCALE 3/4"=1'-0"

01-580-012
APPROVED
TOWN OF CARY
 Approved by DFC Date 5/22/02
 Planning BSC Date 6/18/02
 Engineering TS Date 6/12/02

NOTE:
 THE TIMBER PEDESTRIAN BRIDGE AND WALKWAY IS AN ALTERNATE TO THE PRE-FABRICATED BRIDGE SHOWN ON SHEETS S1 AND S2.

NO.	REVISION	DATE	BY

Designer DCF Scale As Noted
 Drawn By CO, DCF Date JUNE 4, 2002
 Checked By DCF Job No. 02071

THE GROVE AT CARY PARK

7 FOOT WIDE TIMBER PEDESTRIAN BRIDGE (ALTERNATE)
 BENT DETAILS

WITHERS & RAVENEL
 ENGINEERS | PLANNERS | SURVEYORS
 111 MacKinnon Drive Cary, North Carolina 27511 Tel: 919-487-3340 Fax: 919-487-6065 www.wITHERSR.com

Sheet No. **S4**