



**GENERAL NOTES**

**A. LIVE LOADS**

- LIVE LOAD 60 PSF
- GOLF CARTS 1/2 TON EACH
- WIND LOAD 80 MPH

CODE: 2002 EDITION NORTH CAROLINA STATE BUILDING CODE

COMPLY WITH AASHTO REQUIREMENTS FOR PEDESTRIAN BRIDGES.

**B. FOUNDATIONS**

- THE SOIL BEARING PRESSURE USED FOR DESIGN IS 2000 PSF.
- ALL FILL SHALL BE PLACED IN AN 8 INCH MAXIMUM COARSE LIFTS AND SHALL BE COMPACTED TO A MINIMUM OF 95 PER CENT MAXIMUM DRY DENSITY AS DETERMINED IN ACCORDANCE WITH ASTM D-698 (STANDARD PROCTOR METHOD).
- THE ABUTMENT DETAILS ARE FURNISHED IN THE DRAWINGS.
- THE DEPTH OF EMBEDMENT MAY VARY.
- FOR ADDITIONAL SUBSURFACE INFORMATION AND RECOMMENDATIONS CONSULT THE PROJECT GEOTECHNICAL ENGINEER.
- NOTIFY WITHERS & RAVENEL PROJECT MANAGER 24 HOURS PRIOR TO EXCAVATION OF FOOTINGS.

**C. CAST-IN-PLACE CONCRETE**

- CONCRETE WORK SHALL CONFORM TO ACI SPECIFICATIONS.
- ALL CAST-IN-PLACE CONCRETE 28-DAY COMPRESSIVE STRENGTH SHALL BE 3500 PSI IN ACCORDANCE WITH ACI 318.

**D. REINFORCING STEEL**

- ALL REINFORCING STEEL SHALL BE ASTM A-615, GRADE 60.
- PLACEMENT OF THE REINFORCING STEEL SHALL BE REVIEWED BY THE STRUCTURAL ENGINEER PRIOR TO PLACING CONCRETE.
- DETAIL AND FABRICATE REINFORCING STEEL IN ACCORDANCE WITH ACI-318. REINFORCING STEEL SHALL BE PLACED IN ACCORDANCE WITH THE PROJECT DOCUMENTS.
- FABRICATE IN ACCORDANCE WITH APPROVED SHOP DRAWINGS.
- DO NOT HEAT BEND REINFORCING BARS.

**E. STRUCTURAL LUMBER**

- ALL LUMBER SHALL BE PRESSURE-TREATED NO. 1 GRADE SOUTHERN PINE, S4S, KD AFTER TREATMENT, WITH A MAXIMUM MOISTURE CONTENT OF 16% POSTS AND ALL OTHER MATERIAL WITHIN 8" OF THE GROUND SURFACE SHALL BE TREATED IN ACCORDANCE WITH AWPI STANDARD LP-22. TREATED WOOD PRODUCTS SHALL MEET AWPA STANDARD P5 FOR WATER-BORNE PRESERVATIVES, COMPLY WITH AWPA STANDARDS C1, C2, C3 AND C15.
- CONNECTIONS SHALL BE IN ACCORDANCE WITH THE NORTH CAROLINA STATE BUILDING CODE, 1996 EDITION (W/ REVISIONS) AND NDS (SEE BELOW).
- APPLY A 2 PER CENT METALLIC CONTENT OIL SOLUTION OF ZINC NAPHTHENATE TO THE CUT WOOD SURFACES BY BRUSHING TWO COATS.
- DRILLING FOR BOLTS IN THE FIELD MUST BE VERY ACCURATE. ALL BOLT HOLES IN TIMBER SHALL BE 1/16 INCH LARGER THAN THE BOLT. FIELD DRILLING OF HOLES IN THE TIMBER MUST BE SQUARE TO THE FACE OF THE MEMBER. A MAGNETIC DRILL OR OTHER RELIABLE METHOD SHALL BE EMPLOYED. A TIGHT FIT REQUIRING FORCEFUL DRIVING OF BOLTS IS NOT RECOMMENDED. REAMING OF HOLES WILL NOT BE ALLOWED.
- BOLTS SHALL BE ASTM STANDARD A-307, HOT DIPPED GALVANIZED. MATERIALS AND EXECUTION SHALL FOLLOW THE REQUIREMENTS OF THE 1991 EDITION OF THE NATIONAL DESIGN SPECIFICATION FOR WOOD CONSTRUCTION, PUBLISHED BY THE NATIONAL FOREST PRODUCTS ASSOCIATION.
- ALL BOLTS SHALL HAVE WASHERS AT TIMBER BEARING LOCATIONS. WASHERS SHALL BE ROUND OGEE WASHERS.
- ALL HARDWARE SHALL BE HOT DIPPED GALVANIZED STEEL.
- ALL DIMENSIONS AND ANGLES ARE 90° UNLESS OTHERWISE NOTED.
- JOISTS AND STRINGERS ARE SPACED 1'-0" O.C. UNLESS OTHERWISE NOTED.
- FOR POST-TO-BEAM CONNECTIONS USE (2) 5/8" DIA. GALV. A-307 BOLTS.
- ATTACH JOISTS AND BAND JOISTS TO ADJACENT DECK SUPPORT POSTS (INCLUDING DECK POSTS WHICH DO NOT ALSO SUPPORT RAILINGS) WITH 12d TYPE 304 S.S. RS. NAILS. OTHERWISE, TOE-NAIL JOISTS TO BEAMS WITH 12d TYPE 304 STAINLESS STEEL RING SHANK (ANNULAR THREADED) NAILS.
- USE 12d S.S. RS. NAILS TO ATTACH BAND JOISTS TO JOISTS AND 12d NAILS TO ATTACH STRINGERS TO LEDGERS.
- FOR DECKING, LAY BARKSIDE UP. SPACE DECKING W/ 16d NAILS AND ATTACH W/ 16d TYPE 304 STAINLESS STEEL ANNULAR THREADED NAILS WITH HEADS PAINTED GRAY. SEE SHEET S1 FOR ADDITIONAL INFORMATION. LUMBER SHALL BE GRADED BY SPSB. DO NOT PROVIDE GRADE MARKS. PRESSURE TREATED LUMBER SHALL CONFORM TO AWPA STANDARDS. PROVIDE AWFB QUALITY CERTIFICATES.
- FOR PRESSURE TREATED POSTS, PROVIDE A MINIMUM RETENTION OF 0.80 PCF OF CCA IN ACCORDANCE WITH CCA STANDARDS.
- CONTACT SAVANNAH WOOD PRESERVING COMPANY, INC. FOR SPECIAL CUT (LONG NO. 1 DENSE) PRESSURE TREATED MATERIAL.

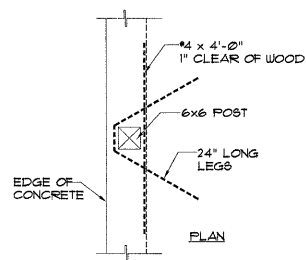
01-50-012-  
**APPROVED**  
**TOWN OF CARY**  
 Approved by DPC Date 12-22-02  
 Planning SPS Date 12-19-02  
 Engineering TS Date 12-12-02

**F. MISCELLANEOUS**

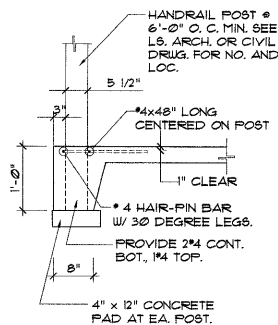
- THE STRUCTURAL DRAWINGS SHALL BE USED IN CONJUNCTION WITH AND COORDINATED WITH OTHER CONTRACT DRAWINGS AND SPECIFICATIONS.
- THE CONTRACTOR SHALL VERIFY ALL EXISTING SITE CONDITIONS INDICATED ON THESE DRAWINGS. ANY VARIATION OF CONDITIONS SHALL BE BROUGHT TO THE ATTENTION OF THE TOWN OF CARY PROJECT MANAGER BEFORE PROCEEDING WITH CONSTRUCTION.
- FABRICATOR'S SHOP DRAWINGS SHALL SHOW AND NOTE ALL ALL MATERIAL REQUIRED IN SUFFICIENT DETAIL FOR PROPER FABRICATION AND ERECTION IN ACCORDANCE WITH THE CONTRACT DRAWINGS AND DOCUMENTS.
- ANCHOR BOLTS SHALL BE SET IN ACCORDANCE WITH THE APPROVED SHOP DRAWING ANCHOR BOLT SETTING PLAN.

**CONSTRUCTION NOTES**

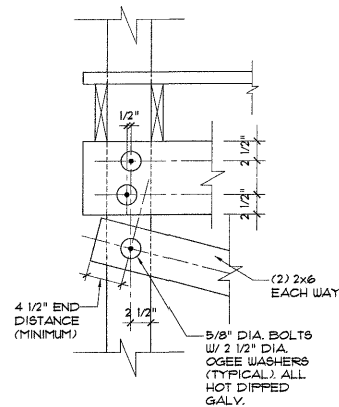
- POST/FOOTING HOLES SHALL BE EXCAVATED BY THE USE OF HAND-OPERATED EQUIPMENT SUCH AS MANUAL POST-HOLE DIGGERS OR GASOLINE-POWERED HAND AUGERS.
- FOOTINGS SHALL CONSIST OF HAND-MIXED CONCRETE, SUCH AS "QUICKRETE", HAVING A 3000 P.S.I. STRENGTH AT 28-DAYS.



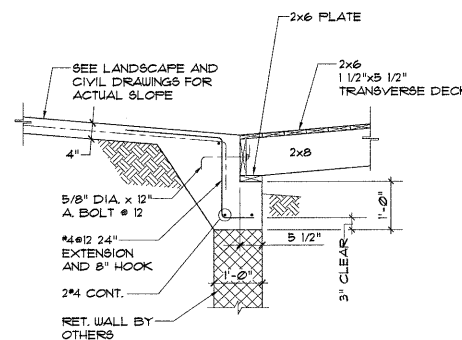
**4 PLAN DETAIL**  
 SCALE 3/4"=1'-0"



**3 DET. @ POST**  
 SCALE 3/4"=1'-0"



**2 DETAIL @ CONN.**  
 SCALE 1 1/2"=1'-0"



**1 SECTION @ RET. WALL**  
 SCALE 3/4"=1'-0"

NO.	REVISION	DATE	BY	Designer	Scale
				DCF	As Noted
				CG, DCF	JUNE 4, 2002
				DCF	02/021

**THE GROVE AT CARY PARK**

**7 FOOT WIDE TIMBER PEDESTRIAN BRIDGE (ALTERNATE)**  
 DETAILS AND GENERAL NOTES

**WITHERS & RAVENEL**  
 ENGINEERS | PLANNERS | SURVEYORS  
 111 MacKenzie Drive Cary, North Carolina 27511 Tel: 919-467-3340 Fax: 919-467-6008 www.wITHERSRAVENEL.com

Sheet No.  
**S5**