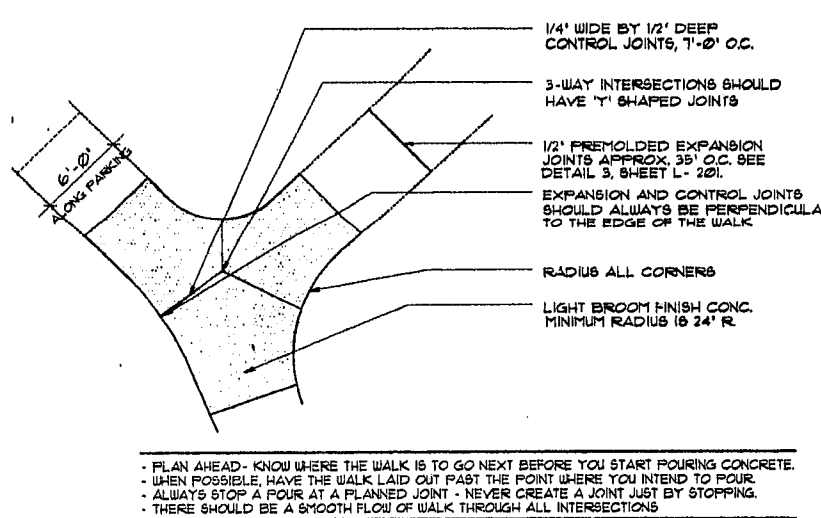
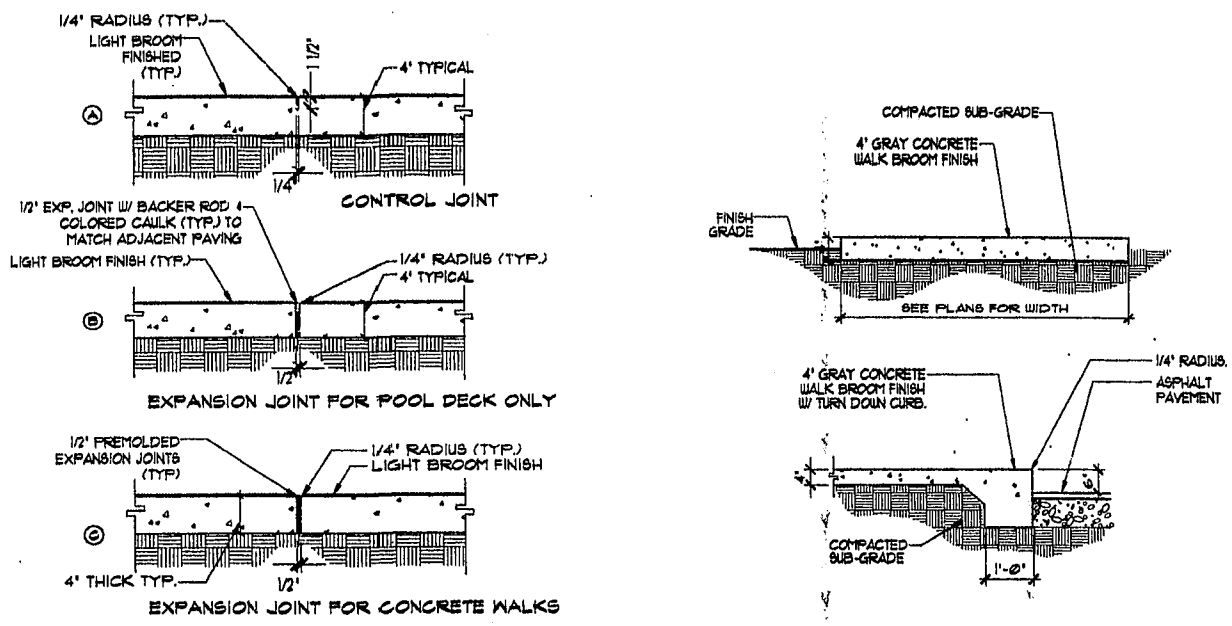


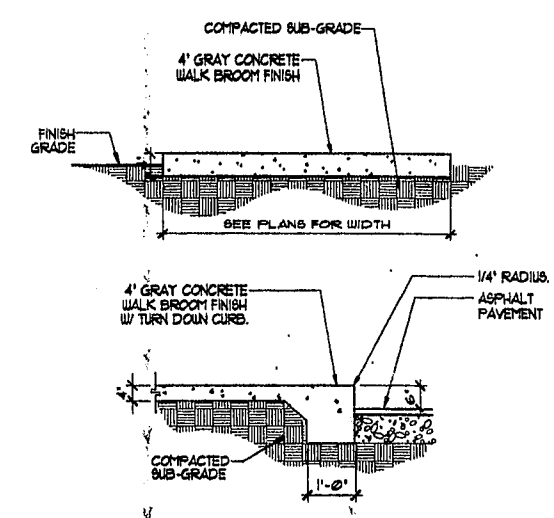
1: Projects\Grove at Cary Park\Submittal 04-27-02\11top1a2.dwg Tue Apr 16 09:52:33 2002 R Thomas  
 © JERRY TURNER & ASSOCIATES, INC. THIS DOCUMENT IS THE PROPERTY OF JERRY TURNER & ASSOCIATES. ALL RIGHTS ARE RESERVED AND ANY REPRODUCTION, REPRODUCTION, OR OTHER USE OF THIS DOCUMENT WITHOUT THE PRIOR PERMISSION OF JERRY TURNER & ASSOCIATES IS EXPRESSLY PROHIBITED.



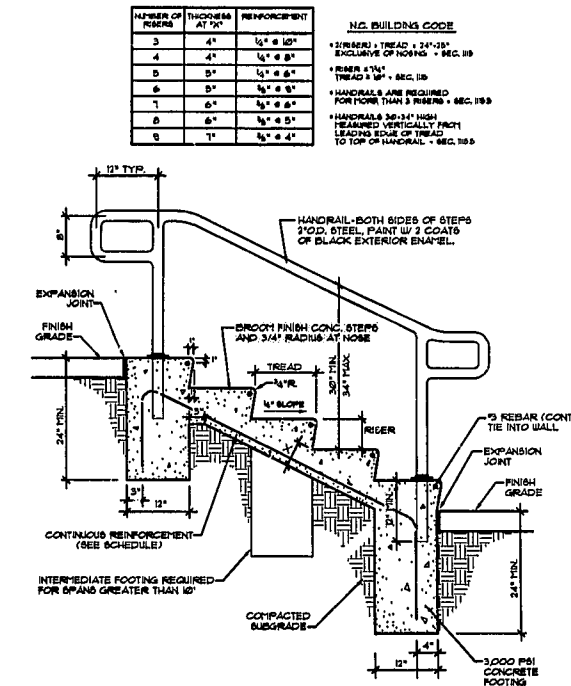
**7** SIDEWALK LAYOUT  
3 NTS



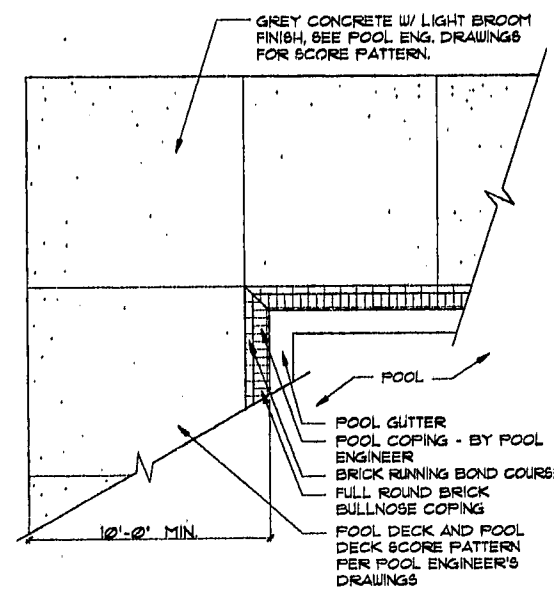
**5** JOINT DETAILS  
3 NTS



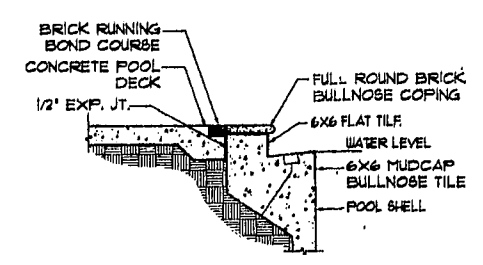
**3** CONCRETE SIDEWALK SECTIONS  
3 NTS



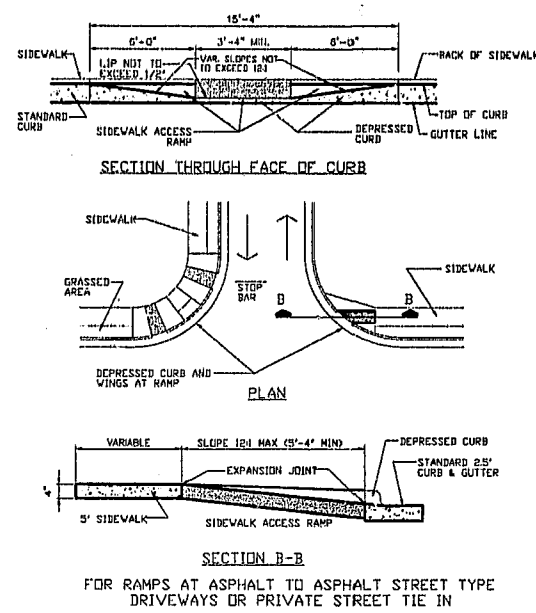
**1** STEPS (CONCRETE)  
3 NTS



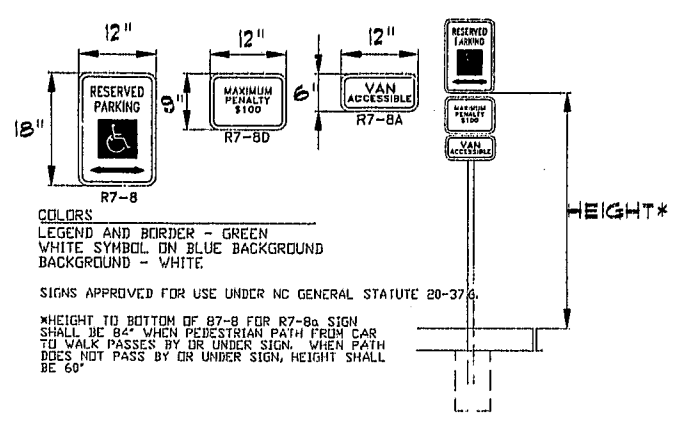
**8** CONC. PAVING AT POOL DECK  
3 NTS



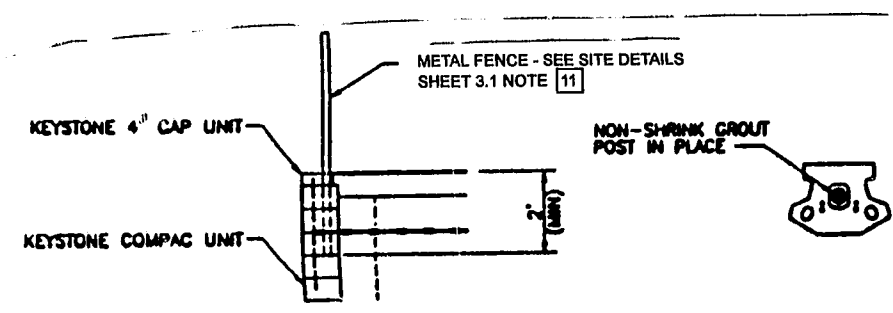
**6** POOL DECK SECTION  
3 NTS



**4** HC RAMPS  
3 NTS



**2** HC SIGN  
3 NTS



**9** FENCE ALONG KEYSTONE WALL  
3 NTS

NUMBER OF FEET	THICKNESS AT 50'	REINFORCEMENT
3	4"	1/2" @ 10"
4	4"	1/2" @ 8"
5	5"	1/2" @ 6"
6	5"	1/2" @ 5"
7	6"	1/2" @ 4"
8	6"	1/2" @ 3"
9	7"	1/2" @ 2"

N.C. BUILDING CODE  
 \*STRENGTH TREAD = 24" O.C. EXCLUSIVE OF NOSES - SEC. 18.1  
 \*MINIMUM SLOPE = 1/4" PER FOOT  
 \*HANDRAILS ARE REQUIRED FOR RISES GREATER THAN 6" SEC. 18.2  
 \*HANDRAILS 36"-42" HIGH BEARING VERTICALLY INTO LEADING EDGE OF TREAD TO TOP OF HANDRAIL - SEC. 18.3



905 Jones Franklin Road  
 Raleigh, North Carolina 27606  
 (919) 851-7150 fax (919) 851-7547

277 S.E. 5th Avenue  
 Delray Beach, Florida 33483  
 (561) 276-0453 fax (561) 272-7593

**THE GROVE AT CARY PARK**  
 (PARCEL MR-9)

CARY, NORTH CAROLINA

REVISIONS  
 3/4/02  
 4/22/02

DRAWN \_\_\_\_\_ CHECKED \_\_\_\_\_  
 RT LH  
 SCALE \_\_\_\_\_ DATE \_\_\_\_\_  
 AS SHOWN 11/5/01  
 TITLE \_\_\_\_\_

**SITE DETAILS**

FILE NO. \_\_\_\_\_ JOB NO. 1536.35  
 SEAL \_\_\_\_\_ SHEET NO. \_\_\_\_\_

01-58-012-  
**APPROVED**  
**TOWN OF CARY**  
 Approved by DEC Date 5-22-02  
 Planning 15B Date 6-13-02  
 Engineering 15 Date 6-12-02

