

ENTRY LIGHTS BY PROGRESS LIGHTING

90W WALL MOUNT

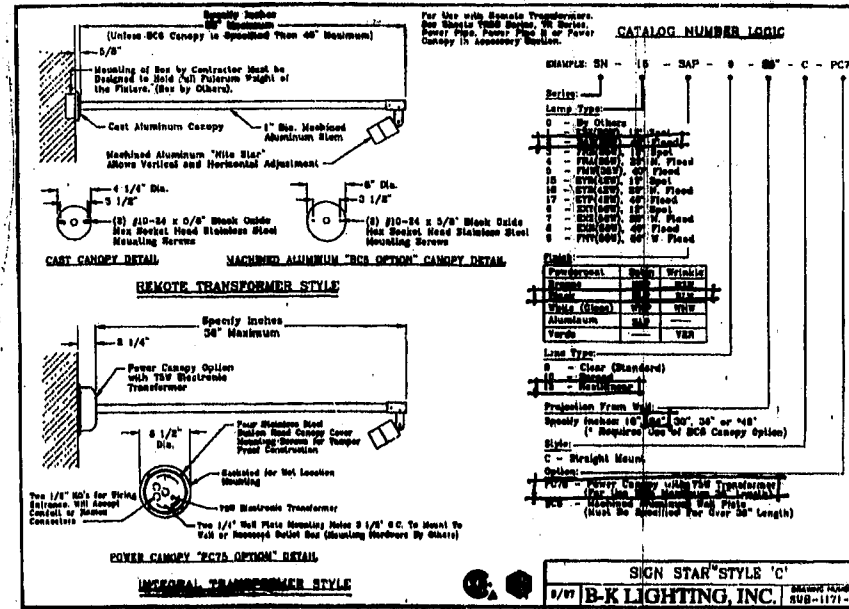
SPECIFICATIONS
 LAMP TYPE: TWO CANDELABRA BASE LAMPS, 90W MAX.
 FINISH: BLACK
 STYLE: Cast aluminum wall torch with beveled clear glass panels. Polished metal brass canopy and reflector.
 HEIGHT: 19 1/2" W x 23 1/4" H without lid, 33" with lid
 CATALOG NUMBER: P9822-31 BLACK



SIGN LIGHTING

20W WALL MOUNT

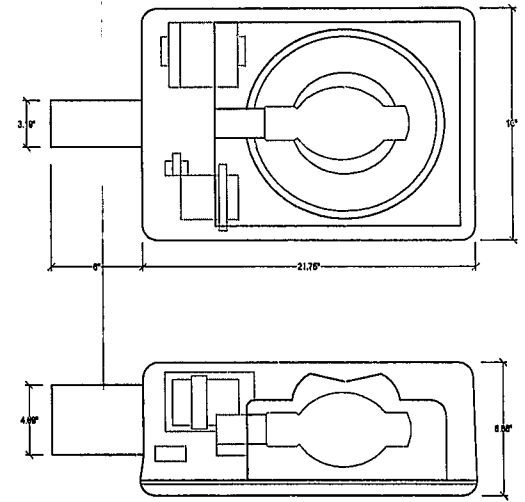
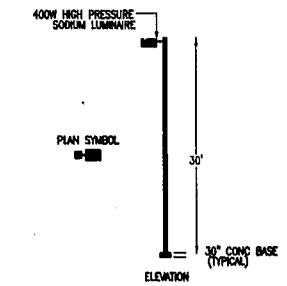
SPECIFICATIONS
 LAMP TYPE: B48 (20W) 40° FLOOD
 FINISH: BLACK
 LENS: RECTILINEAR
 PROJECTION FROM WALL: 2"
 OPTION: PCT3 - POWER CANOPY WITH 75W TRANSFORMER
 CATALOG NUMBER: BK-42-3-BL-19-24-C-PCT5



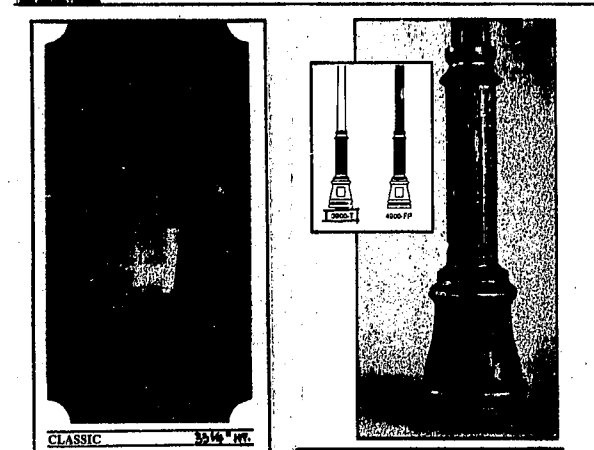
RECTILINEAR HORIZONTAL LUMINAIRE

400W HIGH PRESSURE SODIUM

SPECIFICATIONS
 Housing and lens are one-piece, die cast aluminum with soft radius corners. The lens is clear flat tempered glass. A continuous EPDM gasket seals the door assembly to the housing. Flanged aluminum door located for housing with captive stainless steel head screws.
 Flanged reflector assembly allows access to mounting hardware and ballast. Three reflectors - specular anodized optical assemblies - provide an asymmetrical, forward throw, or square asymmetrical light distribution pattern.
 Ballast components are mounted directly and fixed attached to the cast housing for cooler operation and 40,000 Hr. ballasts are High Power Factor Constant Voltage Autotransformer or H-Reactance.



DECORATIVE WALKWAY LIGHTING BY STERNBERG



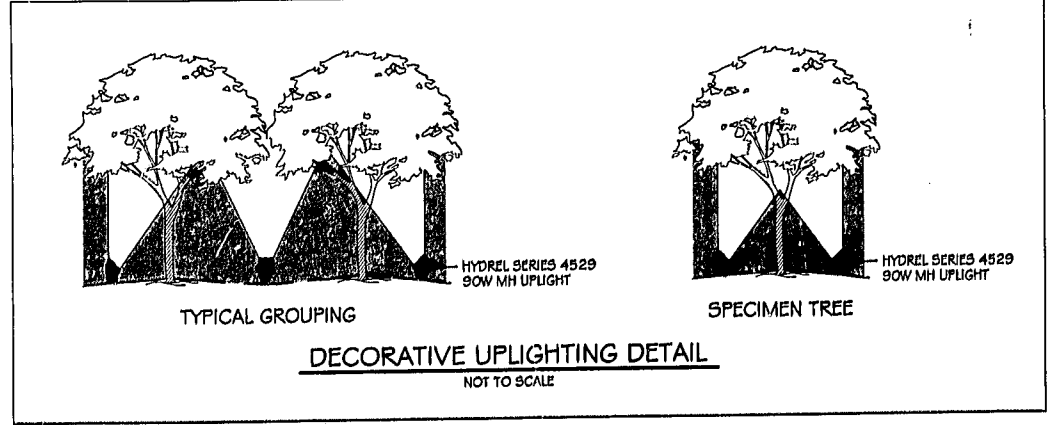
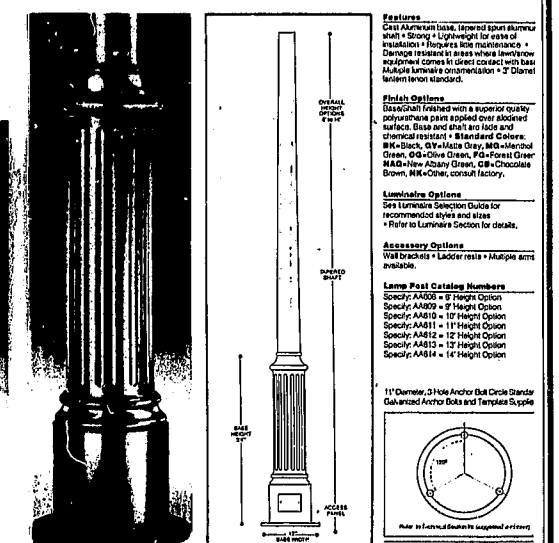
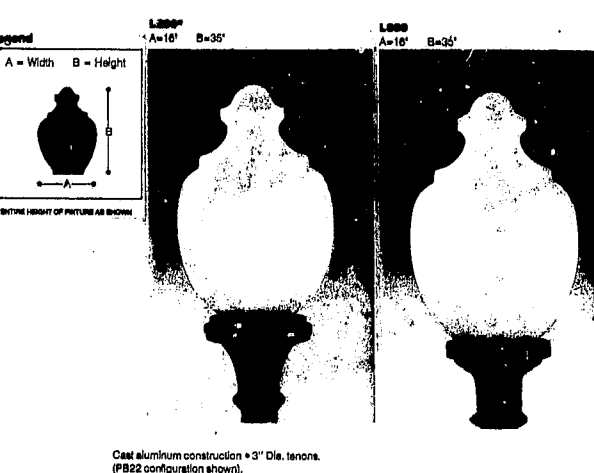
CLASSIC 35 1/2" HT.
 8930 An impressive period roof design tops our unusual eight sided cage. The Verde Green finish sets off the detailing on the roof and the stately finial. This luminaire scales 18" wide (18" on the diagonal) by 36" high. Shown with clear seeded acrylic lens and glass reflector (Type V or III available). The design is also offered in three smaller sizes with various mountings.
 CLASSIC is protected by copyright.

VINTAGE 40" HT.
 Base Size: D = 11 1/2" H = 4 1/2"
 Wall Floor Thickness: 1/2" 360/250
 1800° Tapered Glass
 O.D. 1 1/2" 3"
 Wall Thickness: .125
 4000° PP - Straight Fluted Glass
 O.D. 4" 4"
 Wall Thickness: .125
 Candy Glass - Yes
 Mounting Bracket - Yes

Indirect Cone Optic System provides the warmth of candle and gaslight via the ultimate method of indirect lighting. Crafted of highly reflective specular Alzak, the lower optical system places the lamp in the roof where either a Type V or Type III reflector directs the light off the bottom in a soft, uniform distribution. The ambience created at night by these systems is both excellent and elegant. However, it should be noted that the renovation project may find the silver optic cone less than authentic in the daylight.

DECORATIVE STREET LIGHTING BY MAINSTREET

LOW L200 SERIES
 L200 SINGLE LUMINAIRE ON 17' ROUND POLE: 17' AA9153
 L200 DOUBLE LUMINAIRE ON 17' ROUND POLE WITH DECORATIVE ARM: 17' AA9153P82



ALL CONSTRUCTION SHALL BE IN ACCORDANCE WITH CURRENT TOWN OF CARY STANDARD SPECIFICATIONS AND DETAILS

APPROVED
 TOWN OF CARY
 Approved By: DRC Date: 5-22-02
 Planning: GVS Date: 6-13-02
 Engineering: BS Date: 6-12-02

Installation Procedures
 1. 3/4" O.D. 16" long anchor bolts are supplied.
 2. Pour a minimum of 36" concrete footing, making sure to adjust depth to your local frost level.
 3. Rotate anchor bolt template to orient access panel as desired.
 4. Set into concrete base with 2" of anchor bolt exposed above concrete surface, fastening requires only 1 nut.

K:\0101-230\01230\SHEET-C6.dwg, 04/18/2002 05:25:43 PM, XES 8880 (LD).pc3, Withers & Ravenel, Engineering & Surveying, Inc.

No.	Revision	Date	By	Designer	Scale
1	REVISED LIGHTING PLAN	4/15/02	CBP	CBP	1"=40'
Drawn By		Date		Checked By	
CBP		01MARCH02		CBP	
Project No.		201238.00			

THE GROVE AT CARY PARK

LIGHTING DETAILS

WITHERS & RAVENEL
 ENGINEERS | PLANNERS | SURVEYORS
 111 MacKenzie Drive Cary, North Carolina 27511 Tel: 919-469-3340 Fax: 919-467-6008 www.withersravenel.com

Sheet No. **C-6**