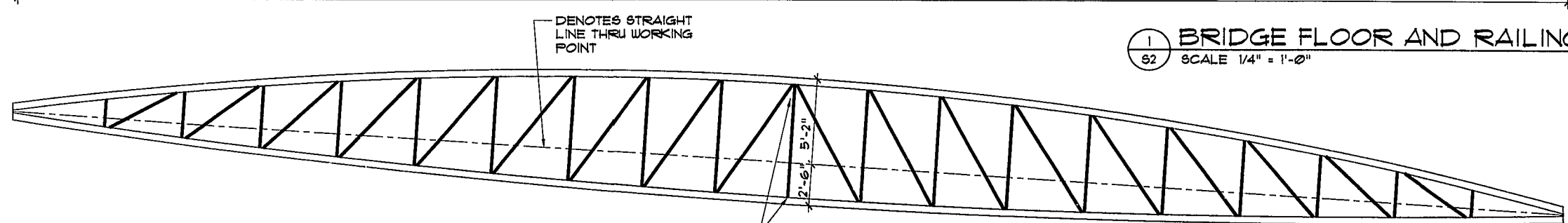
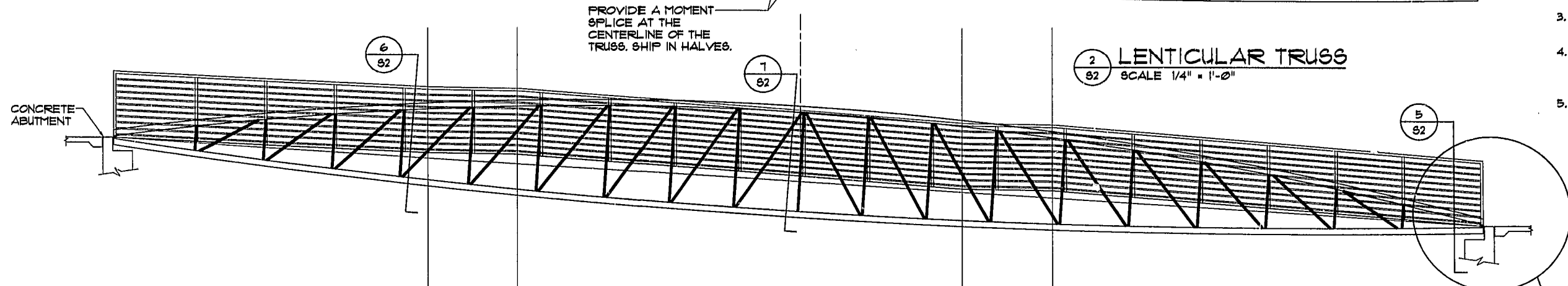


1 BRIDGE FLOOR AND RAILING
SCALE 1/4" = 1'-0"

- F. PREFABRICATED BRIDGE
- THE PREFABRICATED BRIDGE MANUFACTURER SHALL DESIGN THE PREFABRICATED BRIDGE IN ACCORDANCE WITH THE 2002 EDITION OF THE NORTH CAROLINA STATE BUILDING CODE. SUBMIT LOADING REACTIONS TO THE FOUNDATION ENGINEER.
 - THE PREFABRICATED BRIDGE SYSTEM SHALL BE AS SUPPLIED BY:
 - STEADFAST, INC.
P.O. BOX 806
FT. PAYNE, AL 35967
(205) 845-4104 PHONE
(205) 845-9150 FAX
 - HALLSTEN SUPPLY CO.
P.O. BOX 41036
SACRAMENTO, CA 95841
(916) 331-1211
(916) 331-1223 FAX
 - CONTINENTAL BRIDGE
ALEXANDRIA, MINNESOTA 55431
(800) 328-2041
(612) 852-1500
 - THE PREFABRICATED BRIDGE SHALL BE CONSTRUCTED OF WEATHERING STEEL. PROVIDE ASTM A841 OR A606 FOR TUBING, ASTM A568 OR A242 FOR FLATES AND SHAPES.
 - FLOOR DECK SHALL BE NO. 1 SOUTHERN PINE TREATED WITH CCA TO A 0.40 PCF RETENTION. ATTACH HANDRAILS AND STEEL BARS HOLDING DOWN WOOD DECK WITH STAINLESS STEEL CARRIAGE BOLTS.
 - SEE 61 FOR ADDITIONAL NOTES. SEE SHEETS 63, 64 AND 65 FOR AN ALTERNATE DESIGN.

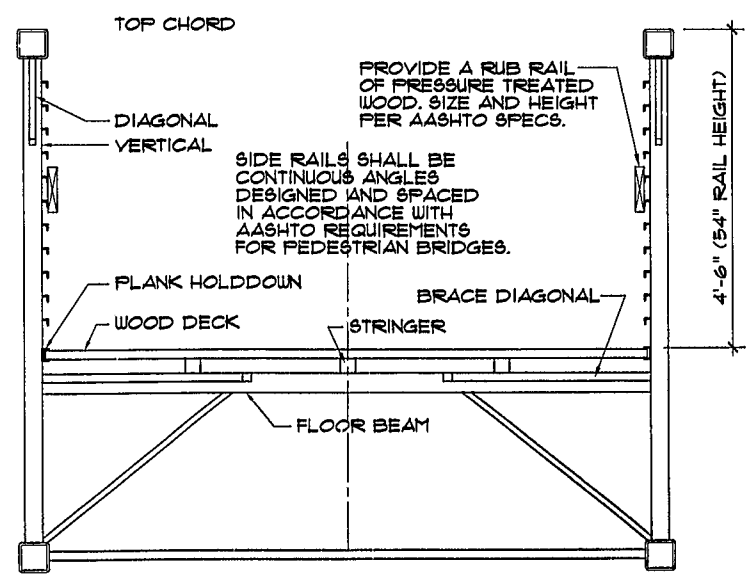


2 LENTICULAR TRUSS
SCALE 1/4" = 1'-0"

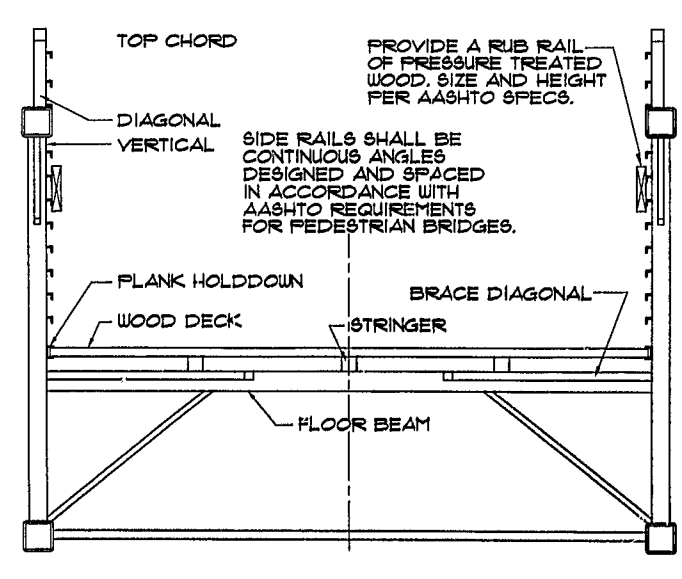


3 PEDESTRIAN BRIDGE
SCALE 1/4" = 1'-0"

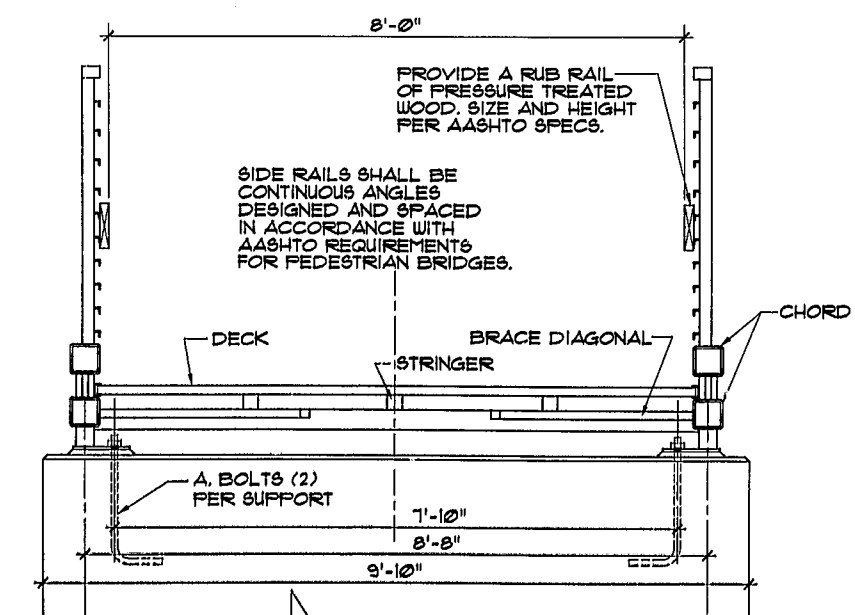
01-50-012
APPROVED
TOWN OF CARY
Approved by ORC Date 5-22-02
Planning BP Date 4-13-02
Engineering JS Date 6-12-02



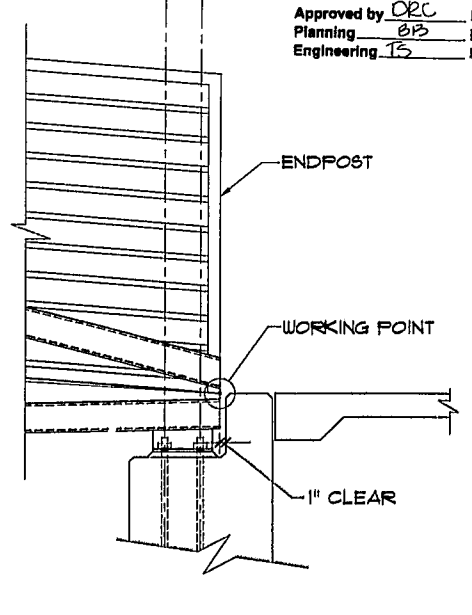
1 SECT. @ CENTERLINE
SCALE 3/4" = 1'-0"



6 BRIDGE SECTION
SCALE 3/4" = 1'-0"



5 SECTION @ BEARING
SCALE 3/4" = 1'-0"



4 BEARING DETAIL
SCALE 3/4" = 1'-0"

NO.	REVISION	DATE	BY

Designer	DCF	Scale	As Noted
Drawn By	CS, DCF	Date	JUNE 4, 2002
Checked By	DCF	Job No.	02021

THE GROVE AT CARY PARK

8 FOOT WIDE PEDESTRIAN BRIDGE (BASE BID)
LENTICULAR TRUSS ELEVATION AND RAILING DETAILS.

WITHERS & RAVENEL
ENGINEERS | PLANNERS | SURVEYORS
111 MacKean Drive Cary, North Carolina 27511 tel: 919-467-3340 fax: 919-467-4005 www.wITHERSRAVENEL.com