

**STANDARD REACTION BLOCKING**

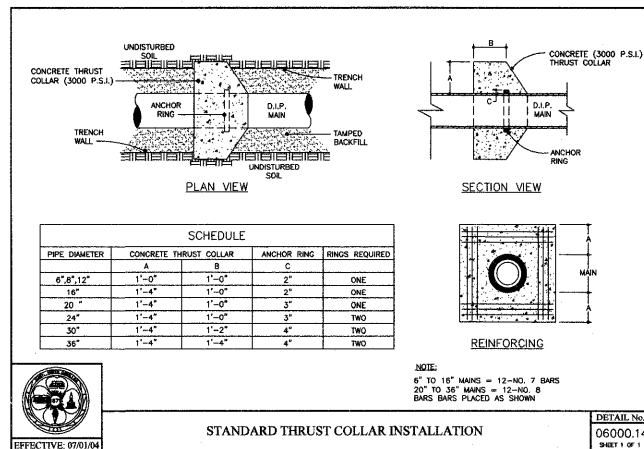
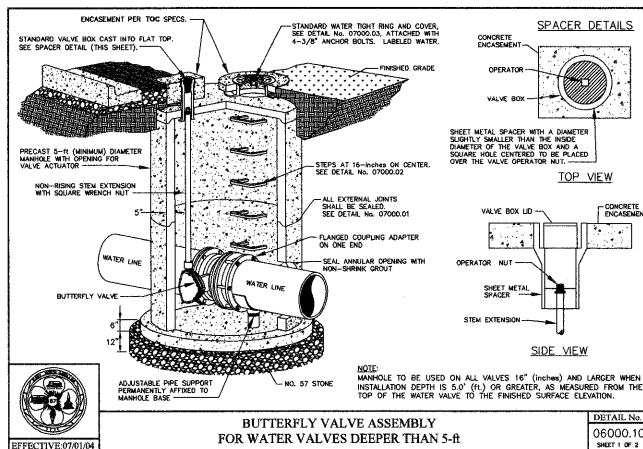
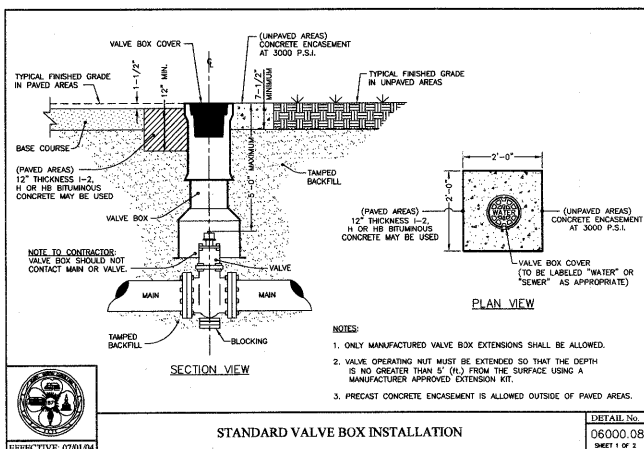
NOTE: FITTING SHALL BE WRAPPED WITH A MINIMUM 4 MIL PLASTIC, NO CONCRETE SHALL COVER BOLTS OR GLANDS.

HOM. PIPE DIA. IN.	MINIMUM CONCRETE BLOCKING (C.Y.) *				
	TEES & DEAD ENDS	90° BEND	45° BEND	22-1/2° BEND	11-1/4° BEND
4	1/3	1/3	1/3	1/3	1/3
6	1/3	1/3	1/3	1/3	1/3
8	1/3	1/2	1/3	1/3	1/3
10	2/3	3/4	1/2	1/3	1/3
12	3/4	1.0	2/3	1/3	1/3
14	1.0	1-1/2	3/4	1/2	1/3
16	1-1/3	2.0	1.0	1/2	1/3
18	1-2/3	2-1/3	1-1/3	2/3	1/3
20	2.0	3.0	1-2/3	3/4	1/2
24	3.0	4-1/3	2-1/3	1-1/3	2/3

\* CONCRETE SHALL BE 3000 P.S.I. MIX.

DETAIL No. 06000.13 SHEET 1 OF 1

EFFECTIVE: 07/01/04



**ETd**

FLAM, TODD, & AMBROSIO  
 URBAN PLANNING + LANDSCAPE ARCHITECTURE  
 CIVIL ENGINEERING + LAND USE CONSULTING  
 2880 S.E. A TIER RD., SUITE 200  
 MOORESVILLE, NORTH CAROLINA 27060

OFFICE 919.481.2021  
 FAX 919.481.2773  
 EMAIL etd@etdpa.com



LEVEY KILDAIRE

DETAIL SHEET

CLIENT:  
 LRC DEVELOPMENT COMPANY, LLC  
 1585 FREDRICK BLVD  
 AKRON, OH 44320  
 330-253-6958

SURVEYOR:  
 ELINGBURG LAND SURVEY CO., INC  
 824 W CHATHAM ST  
 APEX, NC 27539  
 919-303-5371

WALGBRENS  
 STORE# 10541

Drawn By: JRE  
 Checked By: BN  
 Date: 2-10-06  
 Proj#: 2511009

Revisions  
 REV 3/3/08 CARY REVIEW COMMENTS

06-SP-012 - A  
 APPROVED  
 TOWN OF CARY  
 Approved by: [Signature] Date: 2-21-06  
 Planning: [Signature] Date: 2-21-06  
 Engineering: JS Date: 2-21-06