

- NOTES:**
- WARNING SIGNS TO BE MADE OF DURABLE, WEATHERPROOF MATERIAL.
 - THE SIZE OF EACH SIGN MUST BE A MINIMUM OF 2 FEET BY 2 FEET.
 - SIGNS ARE TO BE SPACED A MINIMUM OF ONE EVERY 300 LINEAR FEET.
 - PLACE SIGN AT EACH END OF LINEAR TREE PROTECTION AREAS AND 200' ON-CENTER THEREAFTER.
 - FOR TREE PROTECTION AREAS LESS THAN 200' IN PERIMETER, PROVIDE NO LESS THAN ONE SIGN PER PROTECTION AREA.
 - ATTACHED SIGNS SECURELY TO FENCE POSTS AND FABRIC.
 - MAINTAIN TREE PROTECTION FENCE THROUGHOUT DURATION OF PROJECT.
 - ADDITIONAL SIGNS MAY BE REQUIRED BASED ON ACTUAL FIELD CONDITIONS.
 - INSTALL TREE PROTECTION FENCE & SIGNAGE PRIOR TO CALLING FOR THE INITIAL ON-SITE INSPECTION.
 - HOOK FENCING TO PREFORMED CHANNELS ON STEEL POSTS.

TREE PROTECTION FENCING DETAIL

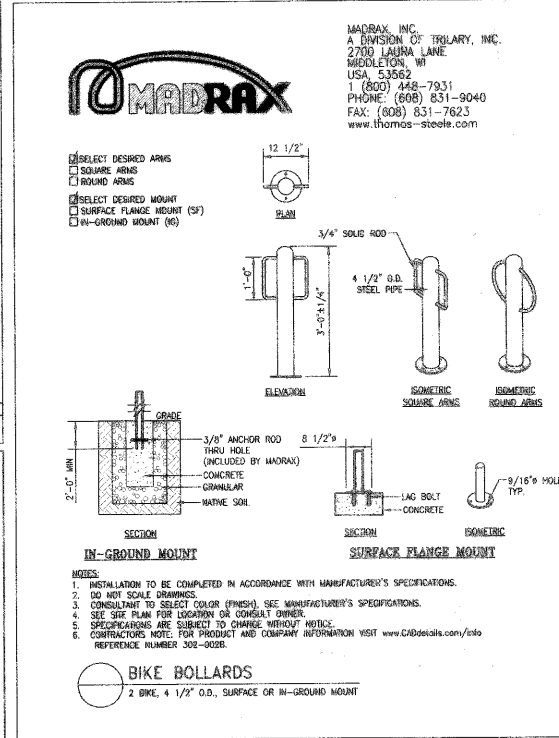
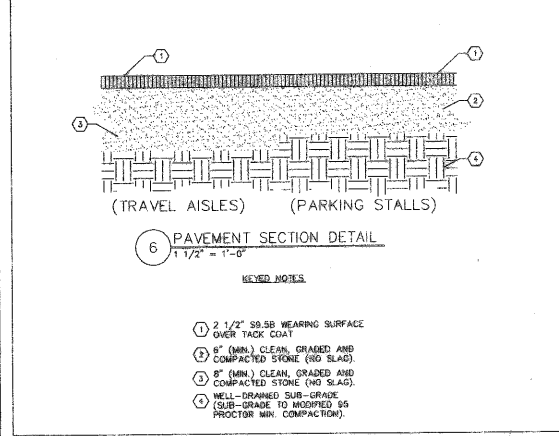
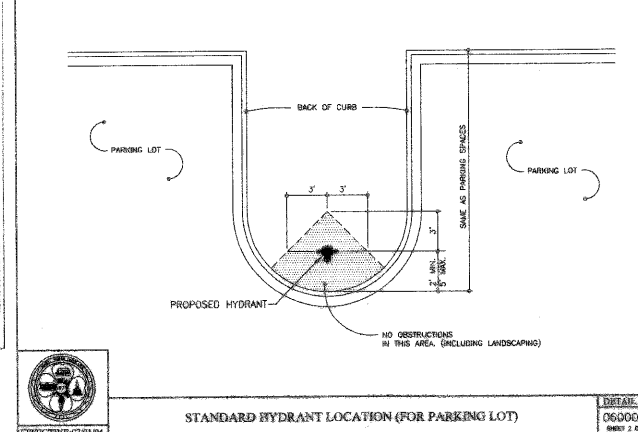
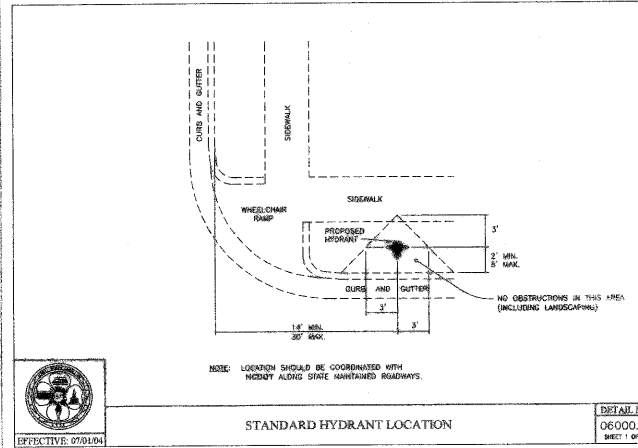
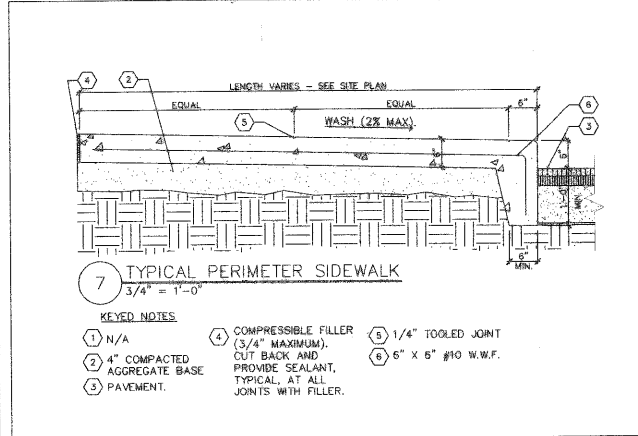
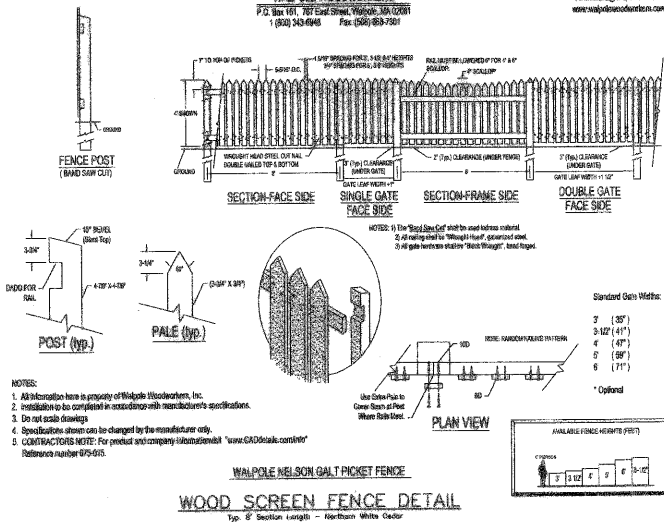
WALPOLE WOODWORKERS

P.O. Box 151, 787 East Street, Walpole, MA 02451
1 (800) 343-4945 Fax: (508) 546-7261

WALPOLE WOODWORKERS

P.O. Box 151, 787 East Street, Walpole, MA 02451
1 (800) 343-4945 Fax: (508) 546-7261

customers@walpolewood.com
www.walpolewood.com



CLIENT:
L&C DEVELOPMENT COMPANY, LLC
1508 FREDERICK BLVD
AKRON, OH 44320
330-253-8955

SURVEYOR:
KUNGBURG LAND SURVEY CO., INC
604 W CHATHAM ST
APEX, NC 27539
919-303-5371

Drawn By: JRE
Checked By: BN
Date: 2-10-06
Proj#: 0511006

Revisions:
REV 8/20/05 CARY HENRY COMMENTS
REV 8/29/05 CARY HENRY COMMENTS
REV 7/11/06 CARY & WAGGERS REV