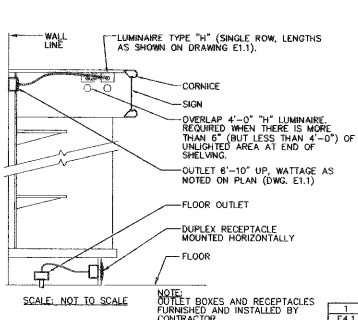
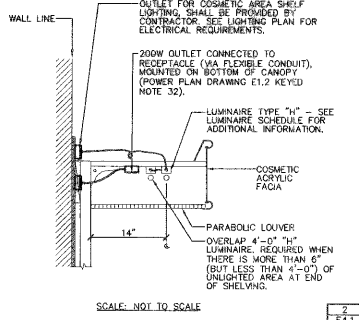


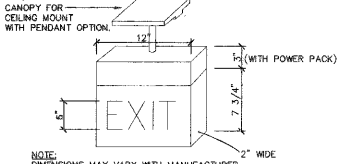
SELF SERVICE SHELVING LIGHTING DETAIL - LUMINAIRE TYPE 'H' AND RECEPTACLE DETAIL



LIGHTING DETAIL - LUMINAIRE TYPE 'H' (COSMETICS AREA)



EXIT SIGN DETAIL



NOTE: DIMENSIONS MAY VARY WITH MANUFACTURER. 1/4\"

LUMINAIRE SCHEDULE

LUMINAIRE TYPE	CATALOG NUMBER	MANUFACTURER	LAMPS (SEE NOTE 3 BELOW)	MOUNTING	VOLTAGE	REMARKS
A	WTR02-232-CSO-EB-81	METALUX	4-06280/125/AM/ECO WITH ADVANCE BALLAST & ROP/PS25C	RECESSED		
B	WTR02-232-EB-81	METALUX	2-06280/125/AM/ECO WITH ADVANCE BALLAST & ROP/PS25C	RECESSED		
D	MC-232-EB-81	METALUX	2-06280/125/AM/ECO WITH ADVANCE BALLAST & ROP/PS25C	BOTTOM OF JOISTS OR CEILING		LUMINAIRE TO BE MOUNTED 14\"
E	WSLX-70-90W	SURE-LITE	LED	CEILING OR WALL MOUNT		SEE DETAIL 3/E4.1
G	WGRS-332A-EB-81	METALUX	3-06280/125/AM/ECO WITH ADVANCE BALLAST & ROP/PS25C	RECESSED		
H	WSN-132-IS-EB-81	METALUX	06280/125/AM/ECO WITH ADVANCE BALLAST & ROP/PS25C	CORNICE		SEE LIGHTING PLAN FOR TOTAL LENGTH REQUIRED, INCLUDE GLASS TOWER, 4 FOOT FUTURE.
L	PDBV-142E-DWB8	PORTFOLIO	GE#2606X145PX35	RECESSED		PHARMACY PATIENT SEATING AREA
P	SEWR-F140-120E-WAL-TS-30K	TU	GE#40/300W/5PX35	WALL-MOUNT		EXTERIOR SEE NOTE 8 & 9
Q	WMHP-5-100-WT	LUMARK	GE#M4R100/U/ME2	SURFACE		UNDER AWNING, DRIVE-THRU WINDOW AND AREA, COMPACTOR AREA, AND RECEIVING DOOR. SEE NOTE 8
S	HDR000TOL	FAIR-SAFE	GE#M4R100/U/ME2	RECESSED		EXTERIOR SEE NOTE 8
W	MHT-50N-120V-RBC-FOS	LUMARK	GE#M4R100/U/ME2	SURFACE		FOR USE WITH PHOTOPHOTIC STANDARD DIMMING CONTROL SYSTEM AND TRIPLEX GLASS. A VARIETY OF FINISHES AND COLOURS AVAILABLE FROM MANUFACTURER. (SEE DETAIL WITH AWNING ELEVATION)
E-1	WRR0 (CHICAGO) WAL-THE TBS10-W-RT	SURLITE	8V, 12W HALOGEN	ON COLUMN OR WALL		
U-1	MC-232A-EB-81	METALUX	2-06280/125/AM/ECO WITH ADVANCE BALLAST & ROP/PS25C	RECESSED		
W-1	PF4040M1820B254 WITH RATED LOUVER & ROTARY BRACKET, 400W PULSE START LAMP	GENERAL ELECTRIC	GE#M4R400/PS/VD	ON POLE		
Z-1	WAL-400-W-MH-3F-BC/CA48B	MCRAW-EDISON	GE#M4R400/PWR/BT2S	ON POLE OR WALL (SEE NOTE 9)		SEE NOTE 6, TYPE II DISTRIBUTION FOR LIGHT POLE, SEE POLE SELECTION TABLE.
Z-1	WAL-400-W-MH-4F-BC/CA48B	MCRAW-EDISON	GE#M4R400/PWR/BT2S	ON POLE OR WALL (SEE NOTE 9)		SEE NOTE 6, TYPE IV DISTRIBUTION FOR LIGHT POLE, SEE POLE SELECTION TABLE.
B-2	WTH-232A-EB-81	METALUX	2-06280/125/AM/ECO WITH ADVANCE BALLAST & ROP/PS25C	SURFACE		8\"
B-2A	TSB 2 32 120 1/4 ABDE	LITHONIA	GE#M4R100/U/ME2	SURFACE		
E-2	W-232A-EB-81	METALUX	2-06280/125/AM/ECO WITH ADVANCE BALLAST & ROP/PS25C	SURFACE		
E-2	MDC-1507-2 (CHICAGO) WAL-HDR6510-BT	SURE-LITE	8V, 12W HALOGEN	RECESSED CEILING		
E-3	MSP-5-100-WT-EM/SC/72V	LUMARK	GE#M4R100/U/ME2	SURFACE		FRONT ENTRANCE (FOR STORE W/ AWNINGS ONLY), RECEIVING & PASSAGE 1 EXIT DOORS. SEE NOTE 8
E-4	CCT (NO HEADS)	SURE-LITE	N/A	SURFACE		FRONT ENTRANCE (FOR STORE W/ AWNINGS ONLY), RECEIVING & PASSAGE 1 EXIT DOORS.
E-4	RFR-153	SURE-LITE	N/A	RECESSED		FRONT ENTRANCE (FOR STORE W/ CANOPY ONLY), SEE NOTE 8
E-5				CANOPY		

NOTES:
 1. ALL FLUORESCENT LUMINAIRES TO HAVE ADVANCE TRANSFORMER ELECTRONIC BALLASTS.
 2. ALL LUMINAIRES ARE TO HAVE QUICK ACCESS BALLASTS FROM BELOW CEILING (THROUGH FIXTURE).
 3. G.E. INDICATES GENERAL ELECTRIC COMPANY.
 4. ALL LUMINAIRES SHALL BE SHIPPED WITHOUT LAMPS.
 5. NOT USED.
 6. (ADD "C11" (TYPE H) OR "C10M" (TYPE H) SUPPLY TO LUMARK FOR TYPE H OR C10M)
 7. VERIFY ALL LUMINAIRE DIMENSIONS WITH MANUFACTURER TO AVOID CONFLICTS WITH OTHER DISCIPLINES.
 8. U/L LISTED MET LOCATION AND IP64 FOR MAXIMUM INSECT, DUST, AND WATER PROTECTION.
 9. SEE DRAWINGS E01 AND E01A FOR MOUNTING LOCATION. COORDINATE MOUNTING WITH WALL THICKNESS AND MATERIALS INVOLVED. HARDWARE PER MANUFACTURER'S INSTRUCTIONS.

POLE SELECTION TABLE

CONSULTANT SHALL EVALUATE SITE SPECIFIC CONDITIONS AND APPLICABLE CODES BEFORE MAKING FINAL SELECTION OF POLES ON DWG. E01. NOTE: THE FOLLOWING POLES ARE TYPICAL WITH A 1.3 GUST FACTOR.

	WIND SPEED 50MPH AND BELOW	WIND SPEED 120MPH AND BELOW	WIND SPEED 150MPH AND BELOW
1-HEAD	McGRAW/EDISON WSS5-5M-30-SFE1	WSS5-6M-30-SFE1	WSS5-6Z-30-SFE1
2-HEADS	McGRAW/EDISON WSS5-5M-30-SFE2	WSS5-6M-30-SFE2	WSS5-6Z-30-SFE2
3-HEADS	McGRAW/EDISON WSS5-5M-30-SFE3	WSS5-6X-30-SFE3	WSS5-6Z-30-SFE3
3-HEADS WITH ONE "W-2" AT POLE TOP	McGRAW/EDISON WSS5-5M-30-SFE3	WSS5-6X-30-SFE3	NOT AVAILABLE
3-HEADS WITH ONE "W-1" AT 9 FEET	McGRAW/EDISON WSS5-5M-30-SFE3	WSS5-6X-30-SFE3	WSS5-6Z-30-SFE3
4-HEADS	McGRAW/EDISON WSS5-5M-30-SFE4	WSS5-6X-30-SFE4	WSS5-6Z-30-SFE4
4-HEADS WITH ONE "W-1" AT 9 FEET	McGRAW/EDISON WSS5-5M-30-SFE4	WSS5-6X-30-SFE4	WSS5-6Z-30-SFE4

OCCUPANCY SENSOR SCHEDULE

LOCATION	MOTION SENSOR TYPE	CATALOG NUMBER	MANUFACTURER	VOLTAGE	MOUNTING	REMARKS
OFFICE	MS1	05055-10W-WAL	LEVI-TON	120VAC	MOUNT ON CEILING	LEVI-TON-UTILIZE W/ POWER PACK CSP20-020-WAL (TIME DELAY SET=16MIN)
MENS BATHROOM	MS1	05055-10W-WAL	LEVI-TON	120VAC	MOUNT ON CEILING	LEVI-TON-UTILIZE W/ POWER PACK CSP20-020-WAL (TIME DELAY SET=16MIN)
WOMENS BATHROOM	MS1	05055-10W-WAL	LEVI-TON	120VAC	MOUNT ON CEILING	LEVI-TON-UTILIZE W/ POWER PACK CSP20-020-WAL (TIME DELAY SET=16MIN)
EMPLOYEE ROOM	MS2	05015-D-WAL	LEVI-TON	120VAC	MOUNT ON WALL @ 42\"	SEE NOTE 3
TRAINING ROOM / MULTI-PURPOSE ROOM	MS2	05015-D-WAL	LEVI-TON	120VAC	MOUNT ON WALL @ 42\"	SEE NOTE 3
PASSAGEWAY #1	MS4	05020-10W-WAL	LEVI-TON	120VAC	MOUNT ON LUMINAIRE, AS NOTED ON DRAWING E1.1.	LEVI-TON-UTILIZE W/ POWER PACK CSP20-020-WAL (TIME DELAY SET=16MIN)
GENERAL STOCKROOM	MS3	05001-10W-WAL	LEVI-TON	120VAC	MOUNT ON LUMINAIRE, AS NOTED ON DRAWING E1.1.	LEVI-TON-UTILIZE W/ POWER PACK CSP20-020-WAL (TIME DELAY SET=16MIN)

NOTES:
 1. OCCUPANCY SENSORS IN STOCKROOM/RECEIVING AREA SHALL BE DIVIDED INTO TWO (2) ZONES:
 ZONE 1 - RECEIVING AREA AND PARTIAL STOCKROOM, COMPRISING OF:
 LEVI-TON (2) 05020-10W-WAL SENSOR & (1) 05020-WAL POWER PACK, OR
 LEVI-TON (2) 05001-10W-WAL SENSOR & (1) 05001-WAL POWER PACK, OR
 ZONE 2 - LONG STOCKROOM HALLWAY, COMPRISING OF:
 LEVI-TON (2) 05020-10W-WAL SENSOR & (1) 05020-WAL POWER PACK, OR
 LEVI-TON (2) 05001-10W-WAL SENSOR & (1) 05001-WAL POWER PACK.
 2. OCCUPANCY SENSORS SHOWN IN DRAWING E1.1 ARE FOR PROTOTYPICAL WALGREENS STORE LAYOUT. CONTACT LEVI-TON OR HATCH FOR ADDITIONAL TECHNICAL LAYOUT, WIRING, OR INSTALLATION QUESTIONS.
 3. LOAD REQUIREMENT: 230096Z IS 0-800W BALLAST @ 120VAC, 50/60HZ OR 0-1200W BALLAST @ 230/277VAC, 50/60HZ.
 4. ULTRASONIC SENSOR IS MADE FOR OFF-CENTER CEILING MOUNT. SEE DRAWING E1.1 FOR AN APPROXIMATE LOCATION. ULTRASONIC CEILING MOUNT SENSOR REQUIRE IT BE MOUNTED NO CLOSER THAN 4' TO AIR SUPPLY/RETURN REGISTERS.
 5. WHEN SPECIFYING THE PLACEMENT OF ULTRASONIC SENSORS, DIRECTION OF THE RECEIVERS SHOULD BE CLEARLY SHOWN.
 6. FINAL DETERMINATION OF CIRCUITING, VOLTAGE AND QUANTITY OF POWER PACKS REQUIRED AND SENSITIVITY ADJUSTMENT ARE THE RESPONSIBILITY OF THE CONSULTING ENGINEER/ELECTRICAL CONTRACTOR.
 PATRICK CLAMP
 LEVI-TON MANUFACTURING CO., INC.
 59-195-0100 PARKWAY
 LITTLE ROCK, NY 13582-2591
 TEL - (716) 281-6923
 FAX - (716) 281-6947
 e-mail - pclamp@leviton.com

NATIONAL ACCOUNTS

I. LUMINAIRES
 A. WALGREENS, ITS DEVELOPERS AND THEIR CONTRACTORS WORKING ON WALGREENS PROJECTS LOCATED IN ALABAMA, CALIFORNIA, CONNECTICUT, DELAWARE, FLORIDA, GEORGIA, HAWAII, ILLINOIS, INDIANA, KENTUCKY, MARYLAND, MASSACHUSETTS, MICHIGAN, MISSISSIPPI, NEW HAMPSHIRE, NEW JERSEY, NEW YORK, NORTH CAROLINA, OHIO, PENNSYLVANIA, RHODE ISLAND, SOUTH CAROLINA, TENNESSEE, TEXAS, VERMONT, VIRGINIA, WASHINGTON D.C., WEST VIRGINIA, WISCONSIN AND PUERTO RICO MUST CALL GESCO FOR COOPER LUMINAIRES FOR PRICE QUOTES AND BILL OF MATERIAL CONFIRMATION FOR THEIR SPECIFIC PROJECT AT (830) 718-6599.
 B. THE GENERAL CONTRACTORS WILL SELECT AN ELECTRICAL CONTRACTOR TO PURCHASE AND INSTALL THE LAMP PACKAGE. PURCHASE ORDERS TO VILLA LIGHTING WILL BE ISSUED BY THE ELECTRICAL CONTRACTOR FOR ALL STORES.
 II. LAMPS
 A. WALGREENS, ITS DEVELOPERS AND THEIR CONTRACTORS WORKING ON WALGREENS PROJECTS MUST CALL VILLA LIGHTING (SEE MYERS) AT (800) 325-0963.
 B. THE GENERAL CONTRACTORS WILL SELECT AN ELECTRICAL CONTRACTOR TO PURCHASE AND INSTALL THE LAMP PACKAGE. PURCHASE ORDERS TO VILLA LIGHTING WILL BE ISSUED BY THE ELECTRICAL CONTRACTOR FOR ALL STORES.
 III. OCCUPANCY SENSORS
 A. WALGREENS, ITS DEVELOPERS AND THEIR CONTRACTORS WORKING ON WALGREENS PROJECTS LOCATED IN ALABAMA, CALIFORNIA, CONNECTICUT, DELAWARE, FLORIDA, GEORGIA, HAWAII, ILLINOIS, INDIANA, KENTUCKY, MARYLAND, MASSACHUSETTS, MICHIGAN, MISSISSIPPI, NEW HAMPSHIRE, NEW JERSEY, NEW YORK, NORTH CAROLINA, OHIO, PENNSYLVANIA, RHODE ISLAND, SOUTH CAROLINA, TENNESSEE, TEXAS, VERMONT, VIRGINIA, WASHINGTON D.C., WEST VIRGINIA, WISCONSIN AND PUERTO RICO MUST CALL GESCO FOR LEVI-TON OCCUPANCY SENSORS @ (830) 718-6599.
 B. THE GENERAL CONTRACTORS WILL SELECT AN ELECTRICAL CONTRACTOR TO PURCHASE AND INSTALL THE OCCUPANCY SENSORS. PURCHASE ORDERS TO GESCO OR VILLA LIGHTING WILL BE ISSUED BY THE ELECTRICAL CONTRACTOR FOR ALL STORES.

Jemas Douglas Evans architect, PLLC
 290 North Gate Parkway
 Tallahassee, Florida 32310-3200
 904-424-1122 Fax 904-424-1122

BALACH ASSOCIATES
 1625 GAITHER RD.
 TALLAHASSEE, FL 32310
 904-272-2941
 904-272-9744

NOTE:
 CROSS HATCHING INDICATES ITEMS THAT ARE NOT USED. REFERENCE TO SUCH ITEMS SHALL BE DELETED FROM THE SCOPE OF WORK FOR THIS PROJECT.

06-SP-012
APPROVED
TOWN OF GARY
 Approved by: [Signature] Date: 7-23-10
 Planning: [Signature] Date: 7-23-10
 Engineering: [Signature] Date: 7-12-10

NO.	DATE	BY	DESCRIPTION	CONST
	06-27-08		REVISIONS PER TOWN OF GARY	

CERTIFICATION AND SEAL
 I HEREBY CERTIFY THAT THIS PLAN AND SPECIFICATION WAS PREPARED BY ME OR UNDER MY DIRECT SUPERVISION AND THAT I AM A DULY REGISTERED ARCHITECT OR ENGINEER UNDER THE LAWS OF THE STATE OF NORTH CAROLINA AS SIGNED BY MY HAND AND SEAL.

STORE NO. 10541
PROJECT NAME:
Walgreens
 WIRENN DR. / KILDAIRE FARM RD. ARCHITECT'S PROJECT CARY, NC NUMBER: 3705

LUMINAIRE SCHEDULE & DETAILS
 CADD PLOT: SCALE: AS NOTED
 DRAWN BY: MMB
 DATE: 04-21-06
 VOID PLOT: DATE: 04-21-06
 RELEASED TO CONSTRUCTION: REVIEWED BY: LBB