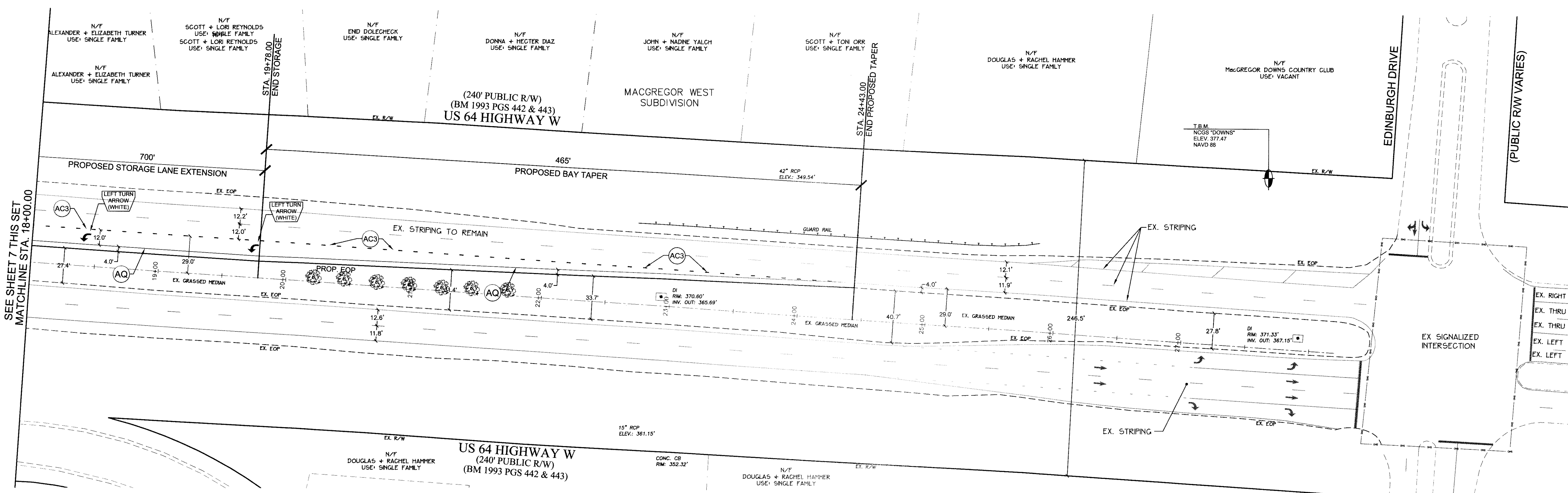
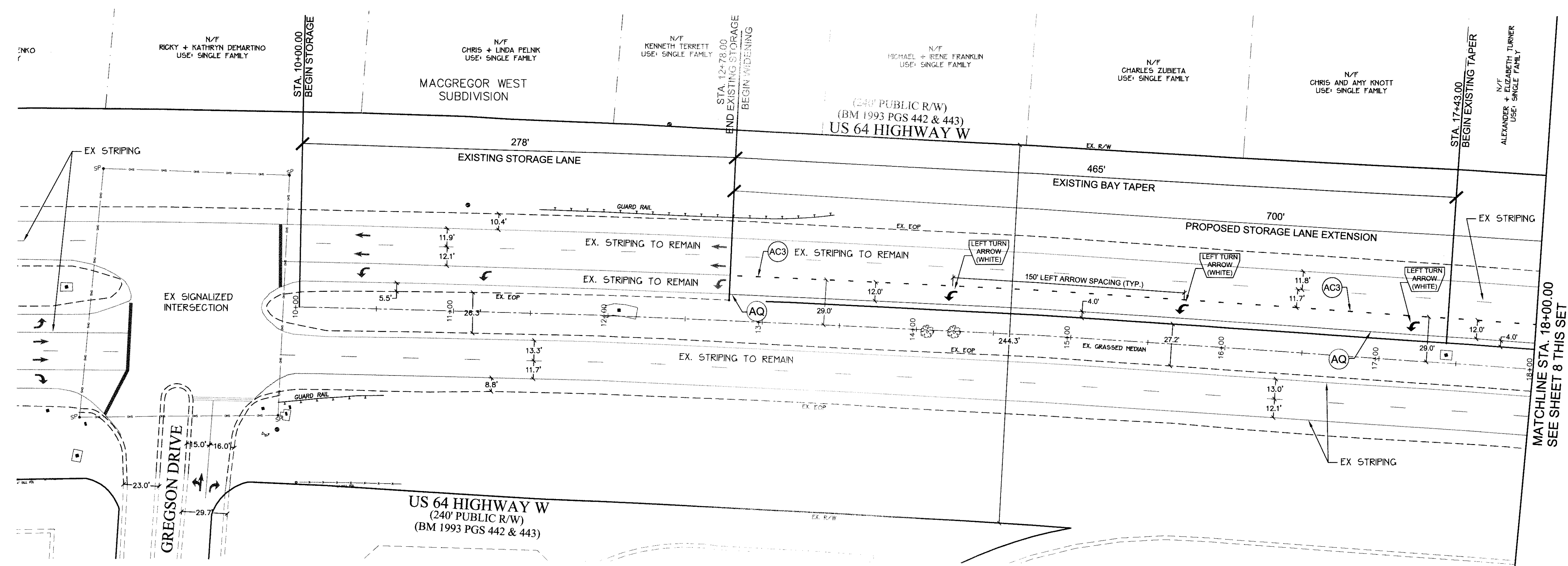
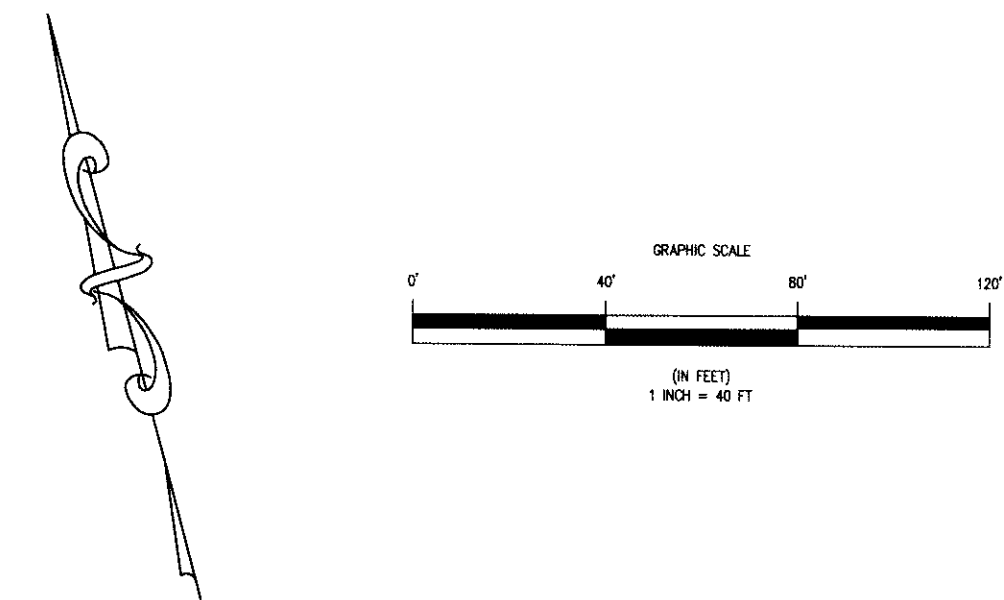


PAVEMENT MARKING SCHEDULE

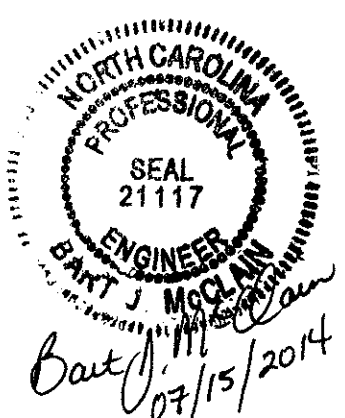
ITEM	DESCRIPTION
AA	THERMOPLASTIC (4" / 6" WHITE, 90 MILS) EDGELINE
AB	THERMOPLASTIC (4" / 6" WHITE, 120 MILS) 4"x10' SKIP
AC1	THERMOPLASTIC (12" WHITE, 120 MILS) 12"x3' W/ 3' SPACING MINI-SKIP (EDGE LINE EXTENSIONS AT ROUNDABOUTS)
AC2	THERMOPLASTIC (4" / 6" WHITE, 120 MILS) 4" / 6" x 2' W/ 6' SPACING MINI-SKIP (LANE & EDGE LINE EXTENSIONS THROUGH INTERSECTIONS)
AC3	THERMOPLASTIC (4" / 6" WHITE, 120 MILS) 4" / 6" x 3' W/ 9' SPACING MINI-SKIP (LANE LINES AND LINE EXTENSIONS THROUGH TAPERS)
AD	THERMOPLASTIC (4" / 6" WHITE, 120 MILS) SOLID LANE LINE
AI	THERMOPLASTIC (8" / 12" WHITE, 90 MILS) GORELINE
AO	THERMOPLASTIC (24" WHITE, 120 MILS) STOP BAR

ITEM	DESCRIPTION
AQ	THERMOPLASTIC (4" YELLOW, 90 MILS) EDGELINE
AR	THERMOPLASTIC (4" YELLOW, 120 MILS) 4"x10' SKIP
AT	THERMOPLASTIC (4" YELLOW, 120 MILS) SINGLE CENTER LINE
AU	THERMOPLASTIC (4" YELLOW, 120 MILS) DOUBLE CENTER LINE
AY	THERMOPLASTIC (8" YELLOW, 90 MILS) DIAGONAL
AE	THERMOPLASTIC (8" WHITE, 90 MILS) DIAGONAL

GENERAL NOTES:  
 1. USE 6" LANE, EDGE, AND CENTER LINES ON ALL FULL CONTROL OF ACCESS FACILITIES AND OTHER ROUTES AS DIRECTED BY THE ENGINEER.  
 2. LANE LINES INDICATED AS "WIDE" ON THE ROADWAY STANDARD DRAWINGS SHALL BE AT LEAST TWICE THE WIDTH OF THE NORMAL LINE.  
 3. GORE LINES SHALL BE TWICE THE WIDTH OF THE NORMAL LINE.



**Wm. G. Daniel & Assoc.**  
 Engineering Planning  
 Site Design  
 1150 SE MAYNARD ROAD  
 SUITE 260  
 CARY, NC 27511  
 (919) 467-9708  
 C-0329



Revisions  
 05/28/2014 Per ToC first review.  
 07/02/2014 Per NCDOT review.  
 07/15/2014 Per ToC second review.

14-SP-031  
 HTE #: 14-1455  
 Approved by the Town of Cary  
 Development Review Committee  
 Planner: KLL Date: 8/11/2014

DEVELOPER:  
 Triad Educational Services  
 700 Creek Ridge Rd.  
 Greensboro NC 27406  
 (336) 505-9665

Project  
 MacKean Drive  
 & Highway 64  
 Road Improvements

Highway 64 Striping

Date  
 May 8, 2014

Scale  
 1" = 40'

Sheet

CS - 6