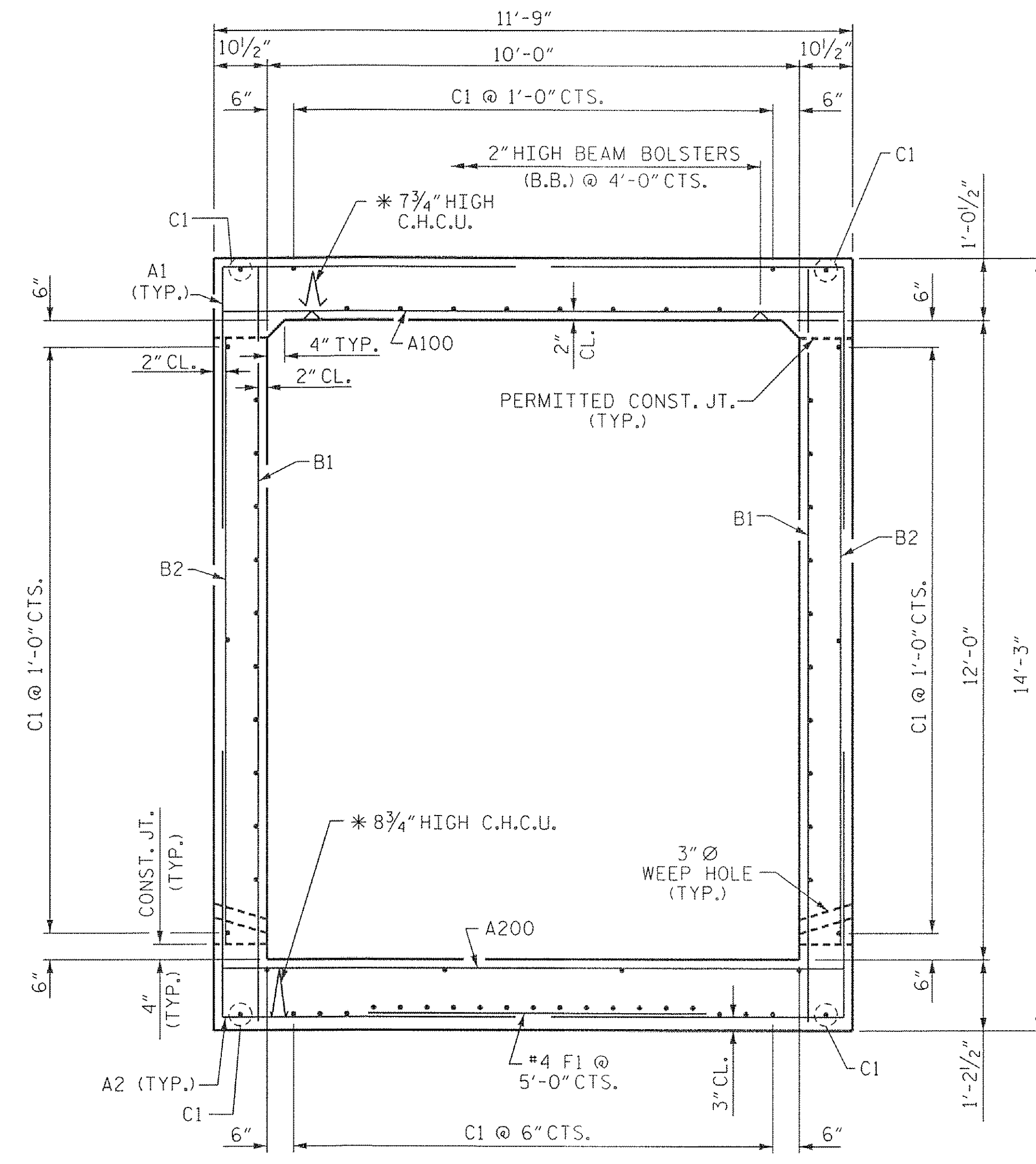


PART PLAN ROOF SLAB      PART PLAN FLOOR SLAB



RIGHT ANGLE SECTION OF BARREL

THERE ARE 63 C1 BARS IN SECTION OF BARREL.  
 \* ALL CONTINUOUS HIGH CHAIR UPPER (C.H.C.U.) @ 3'-0" CTS.

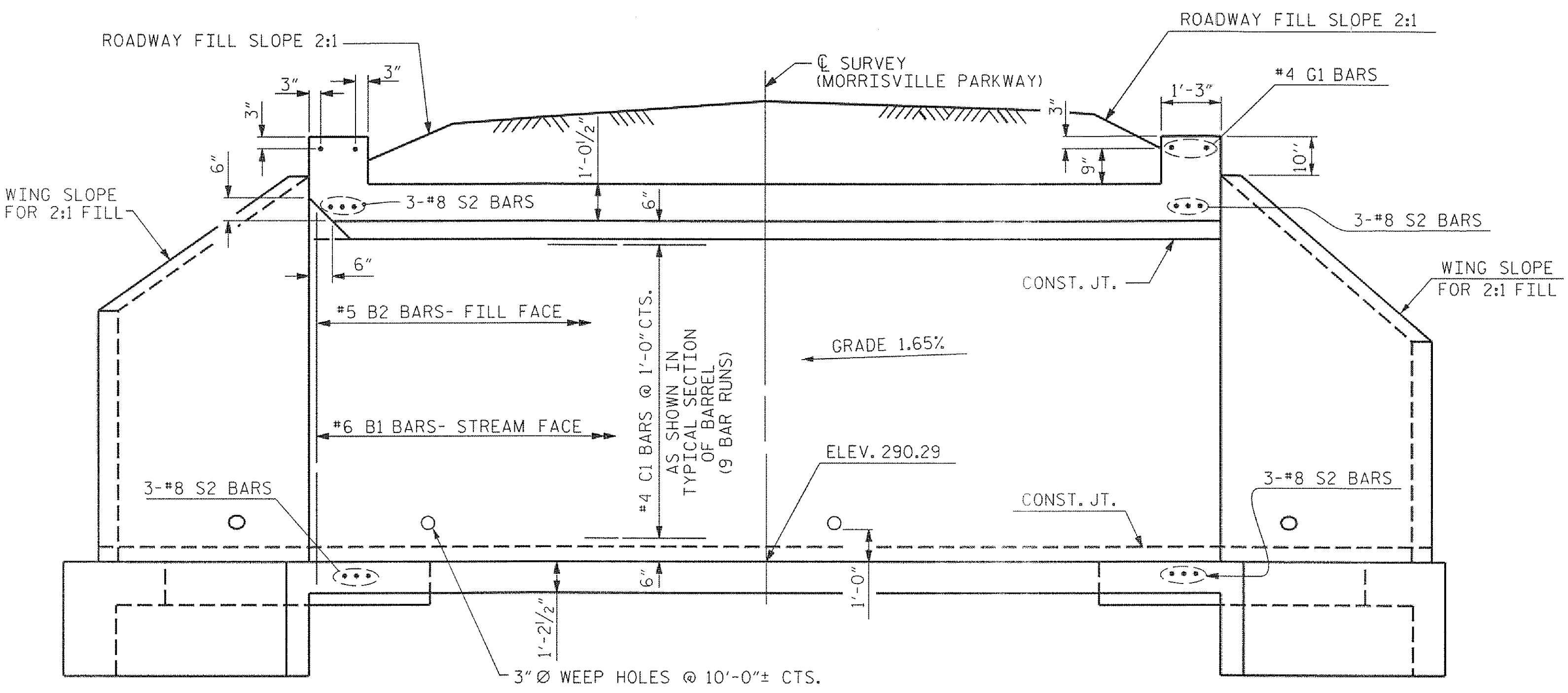
BILL OF MATERIAL					
BARREL AND HEADWALLS					
BAR	NO.	SIZE	TYPE	LENGTH	WEIGHT
A100	327	7	STR	11'-4"	7575
A200	327	7	STR	11'-4"	7575
A1	854	8	6	10'-3"	23372
A2	854	8	6	10'-4"	23562
B1	694	6	STR	13'-9"	14333
B2	854	5	STR	11'-4"	10095
C1	567	4	STR	27'-6"	10416
F1	47	4	STR	4'-2"	131
G1	4	4	STR	11'-5"	31
S2	12	8	STR	11'-4"	363
TOTAL REINFORCING STEEL				97453	LBS.
3000 PSI CONCRETE				406.8	CU. YDS.
BARREL				1.1	CU. YDS.
2 HEADWALLS					

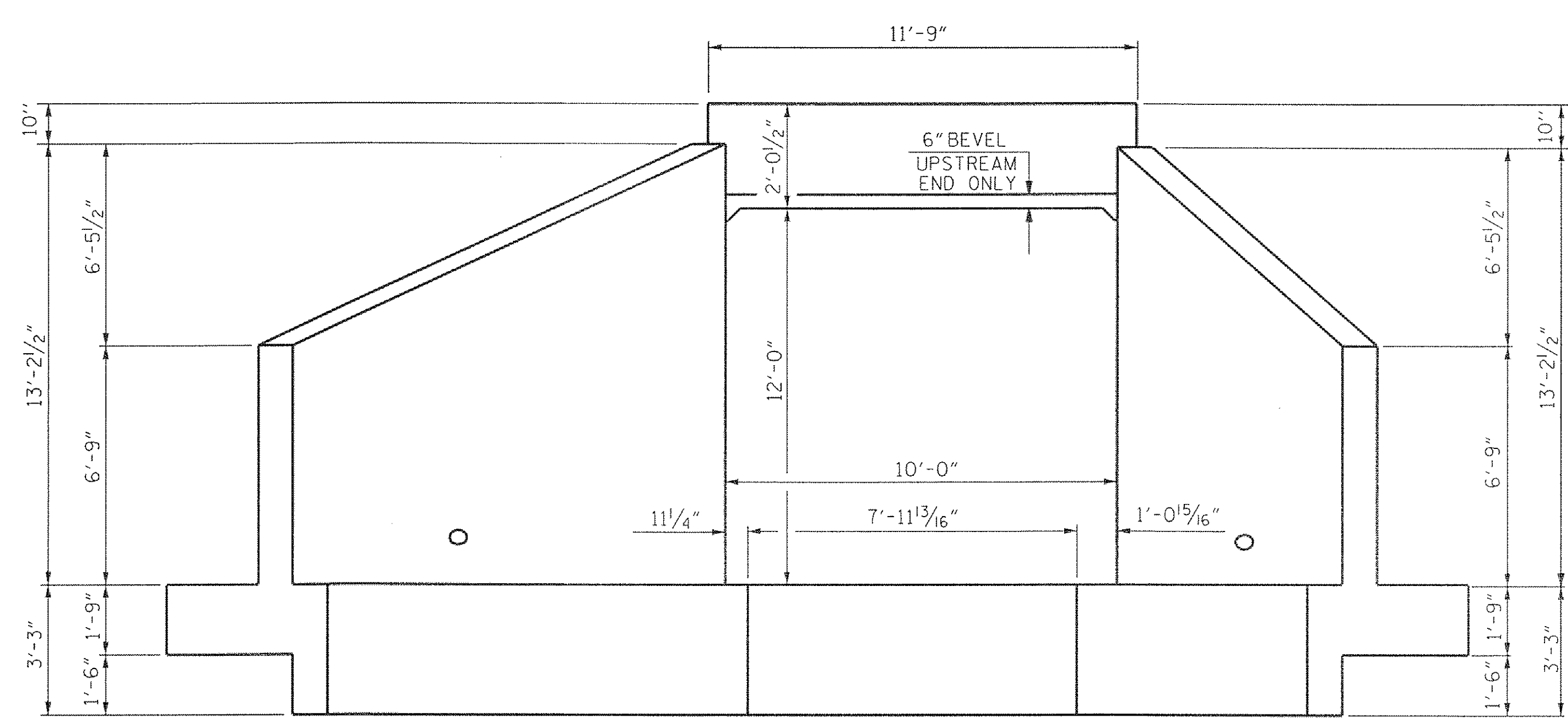
BAR TYPE	
ALL BAR DIMENSIONS ARE OUT TO OUT.	
VERTICAL LEG	⑥
A1	5'-5"
A2	5'-5"

SPLICE LENGTHS CHART	
BAR	SPLICE LENGTH
B1	2'-4"
C1	1'-11"



CULVERT SECTION NORMAL TO ROADWAY



END ELEVATION

PLANS PREPARED BY:  
**SIMPSON ENGINEERS & ASSOCIATES**  
 5520 Dilford Drive  
 Suite 120  
 Cary, NC 27518  
 (919) 852-0468  
 (919) 852-0598 (Fax)  
 www.simpsonengr.com  
 License No. C2521

SEALS	
REVISIONS	
DATE	COMMENTS

CONSTRUCTION DOCUMENT

**HIGHCROFT VILLAGE**  
**PHASE 5**  
**10' X 12' CULVERT AT STA. 98+26**  
 CARY      WAKE COUNTY      NORTH CAROLINA

REVIEWED BY:	MAX
DESIGNED BY:	JAB
DRAWN BY:	DOV
DATE:	5-8-12
PROJECT NUMBER:	
CULVERT DETAILS	
<b>S 2.0</b>	
MAY 2012	

Cary Project Number (10-SB-004-B)  
 Cary HTE Number (12-1085)  
 Approved by the Town of Cary  
 Development Review Committee

Planner *KAH*      Date *5/24/2012*

8/2/2012 4:21:08 PM G:\Projects\Withers & Ravenel\Designs\Highcroft Village\Culvert\Drawings\Culvert\_s02.dgn