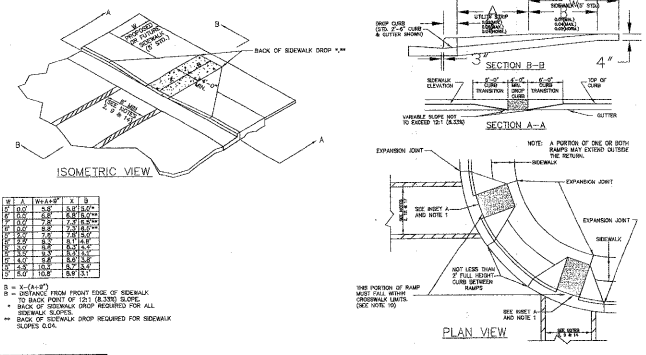
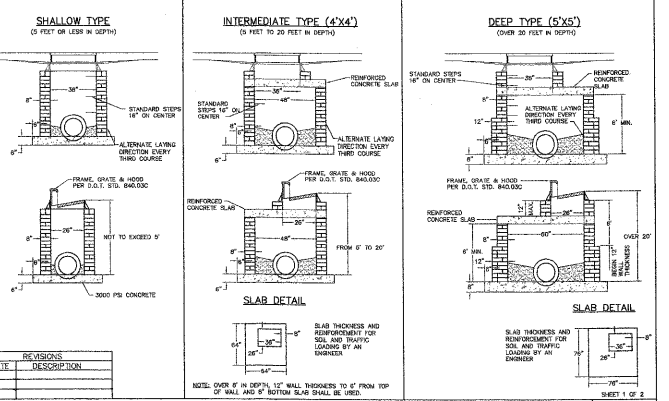


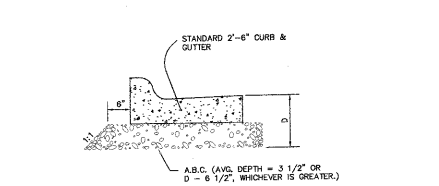
DATE	REVISION	STD. No.
12/06	12/06	3.08



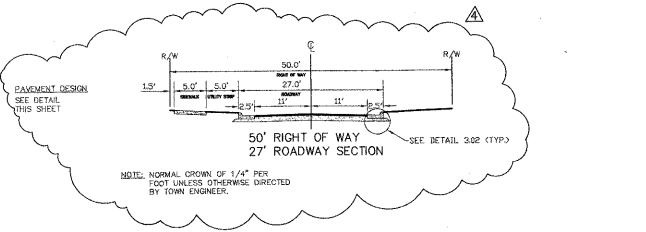
DATE	REVISION	STD. No.
7/20/05	7/20/05	3.16 R



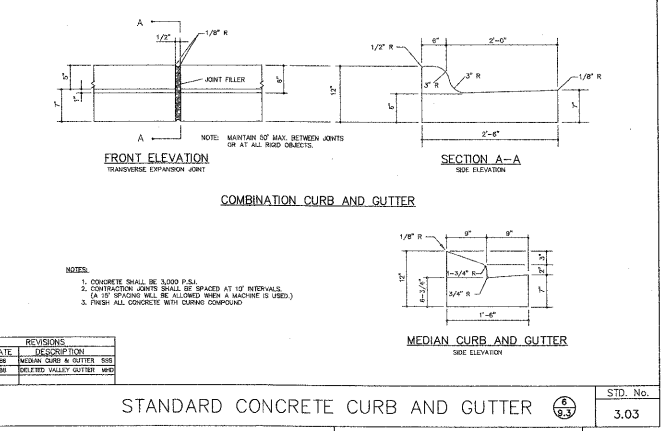
DATE	REVISION	STD. No.
12/06	12/06	8.03



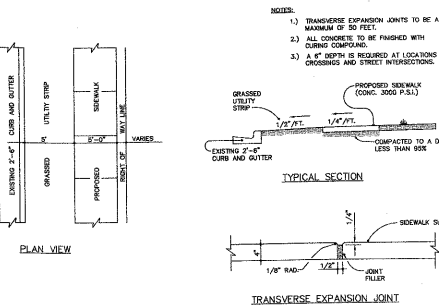
DATE	REVISION	STD. No.
12/06	12/06	3.02



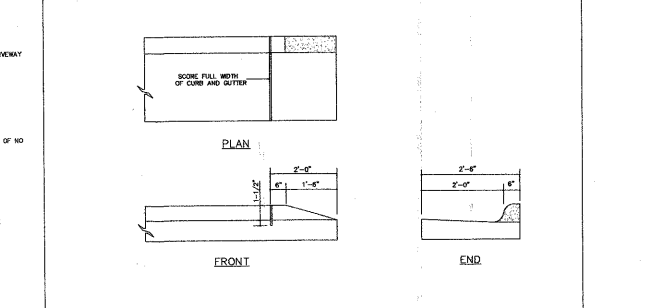
DATE	REVISION	STD. No.
7/20/05	7/20/05	3.01



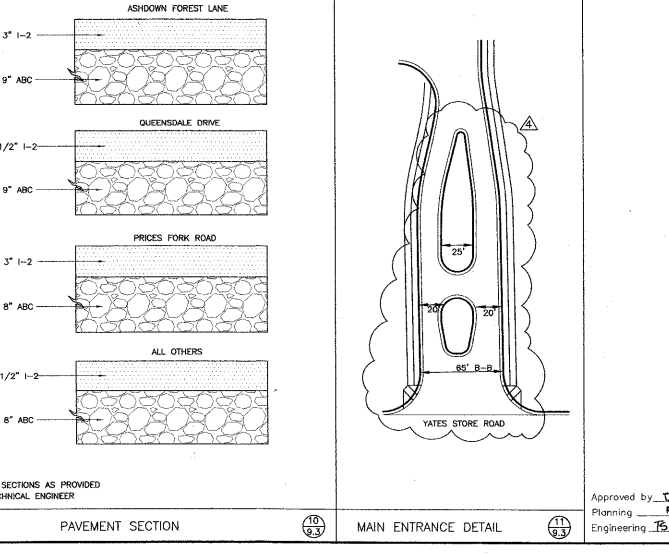
DATE	REVISION	STD. No.
12/06	12/06	3.03



DATE	REVISION	STD. No.
12/06	12/06	3.09



DATE	REVISION	STD. No.
12/06	12/06	3.13



DATE	REVISION	STD. No.
12/06	12/06	11.9.3

RELEASED FOR CONSTRUCTION

**The Peninsula at Amberly**  
 Yates Store Road - Cary, NC

REVISIONS	DATE	DESCRIPTION
1504	11/05/03	REVISED PER TOC COMMENTS
22364	11/05/03	REVISED PER TOC COMMENTS
4504	11/05/03	REVISED PER TOC COMMENTS
A	05/17/04	REVISED - 05/17/04

PROJECT #: 03423 DATE: 11/05/03  
 DRAWN BY: SLS CHECKED BY: JBB  
 TITLE: SITE DETAIL SHEET  
 SHEET: C9.3

1600 North Community House Road, Suite 200  
 Charlotte, NC 28277

03-SB-012  
 APPROVED  
 TOWN OF CARY

Approved by: *[Signature]* Date: 8-2-04  
 Planning: *[Signature]* Date: 8-27-04  
 Engineering: *[Signature]* Date: 8-20-04