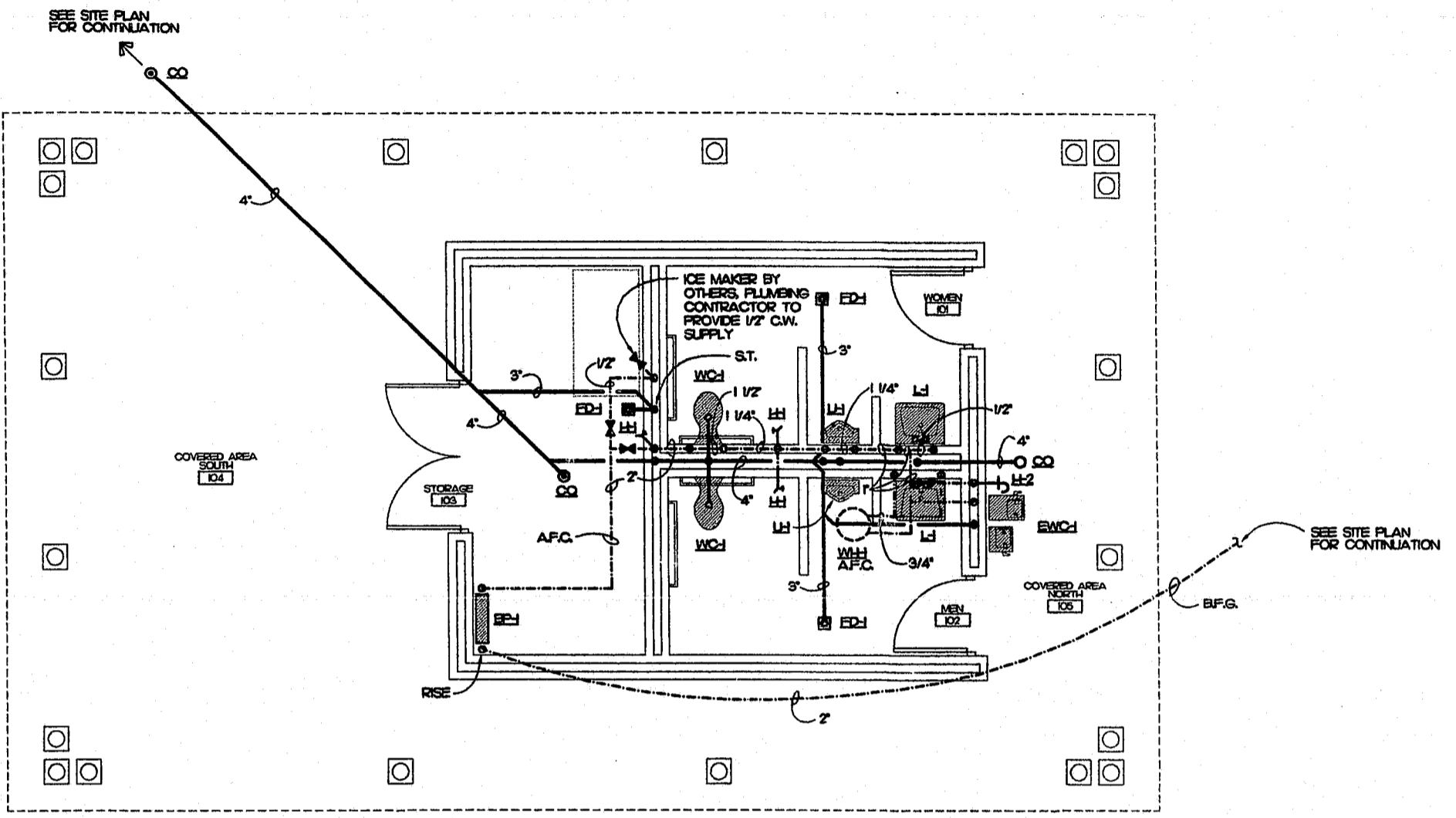
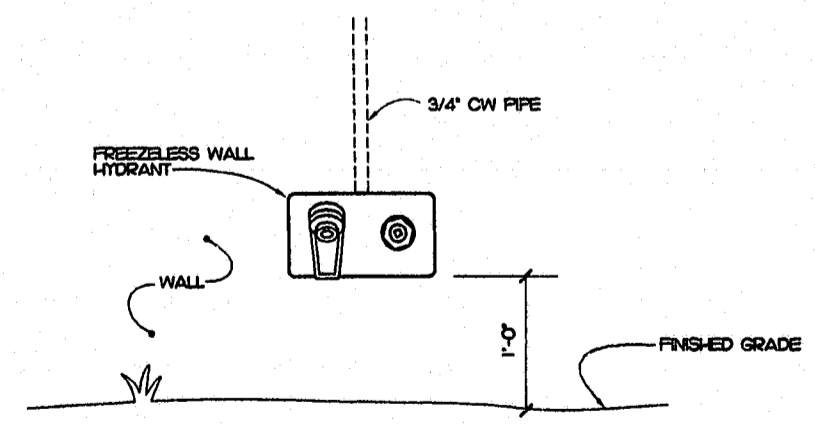


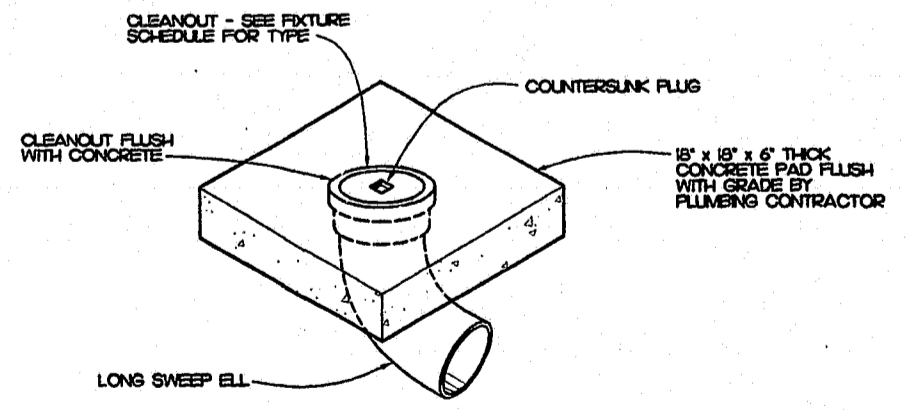
06 HOSE BIBB
P.01 NOT TO SCALE



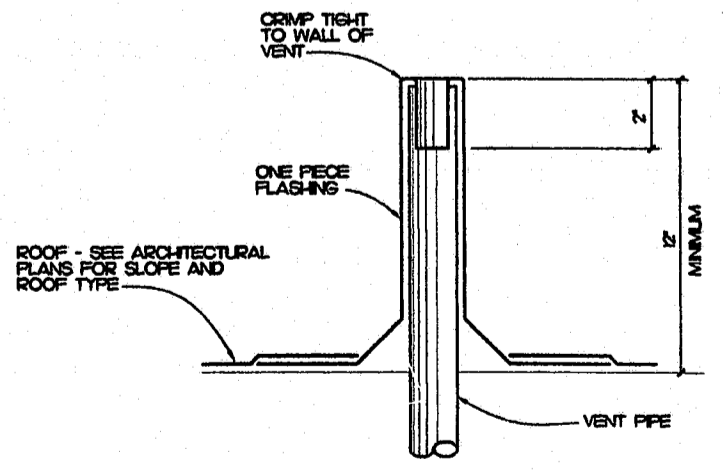
01 PLUMBING PLAN
P.01 SCALE: 1/4" = 1'-0"



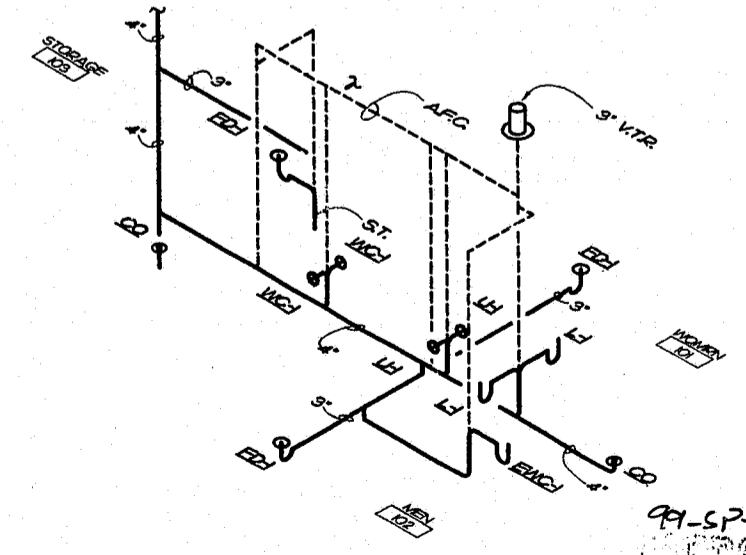
05 WALL HYDRANT
P.01 NOT TO SCALE



04 EXTERIOR CLEANOUT
P.01 NOT TO SCALE



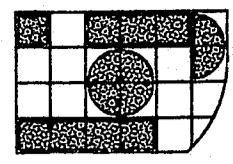
03 VENT THRU ROOF
P.01 NOT TO SCALE



02 WASTE RISER
P.01 NOT TO SCALE

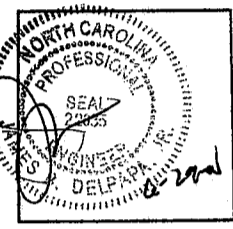
NOTE:
ALL VENT LINES 2" UNLESS NOTED OTHERWISE

APPROVED
10/2/00



**BROWN & JONES,
ARCHITECTS**

14 N. Boylan Ave. Raleigh, NC 27603
Tel. (919) 831-2625 Fax 831-2626



ATLANTEC
ENGINEERS, P.A.

220 BLUE RIDGE ROAD, SUITE 10
Raleigh, NC 27602
919.831.2626

ATLANTEC JOB #00044

**PRESTONWOOD COUNTRY CLUB
TENNIS COURTS, HALF-WAY SHELTER**
Cary / Morrisville, North Carolina
Wake County, North Carolina

FILE:
DATE: 6/30/00
DRAWN BY: DRD
CHECKED BY: JBD

THESE DRAWINGS ARE THE PROPERTY OF BROWN & JONES ARCHITECTS, INC. AND MAY NOT BE REPRODUCED WITHOUT WRITTEN PERMISSION. COPYRIGHT, 2000 BY BROWN & JONES ARCHITECTS, INC. ALL RIGHTS RESERVED.