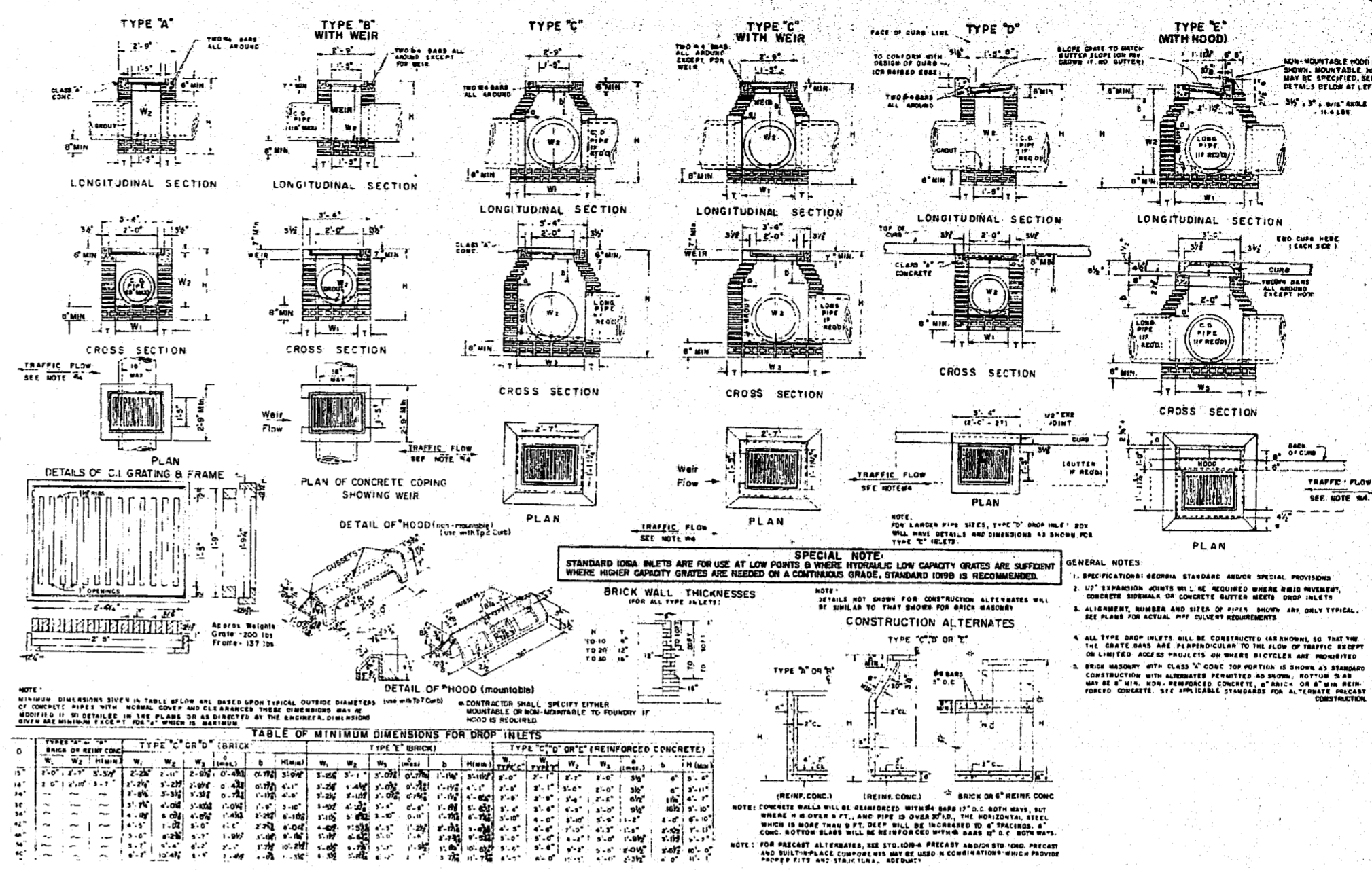
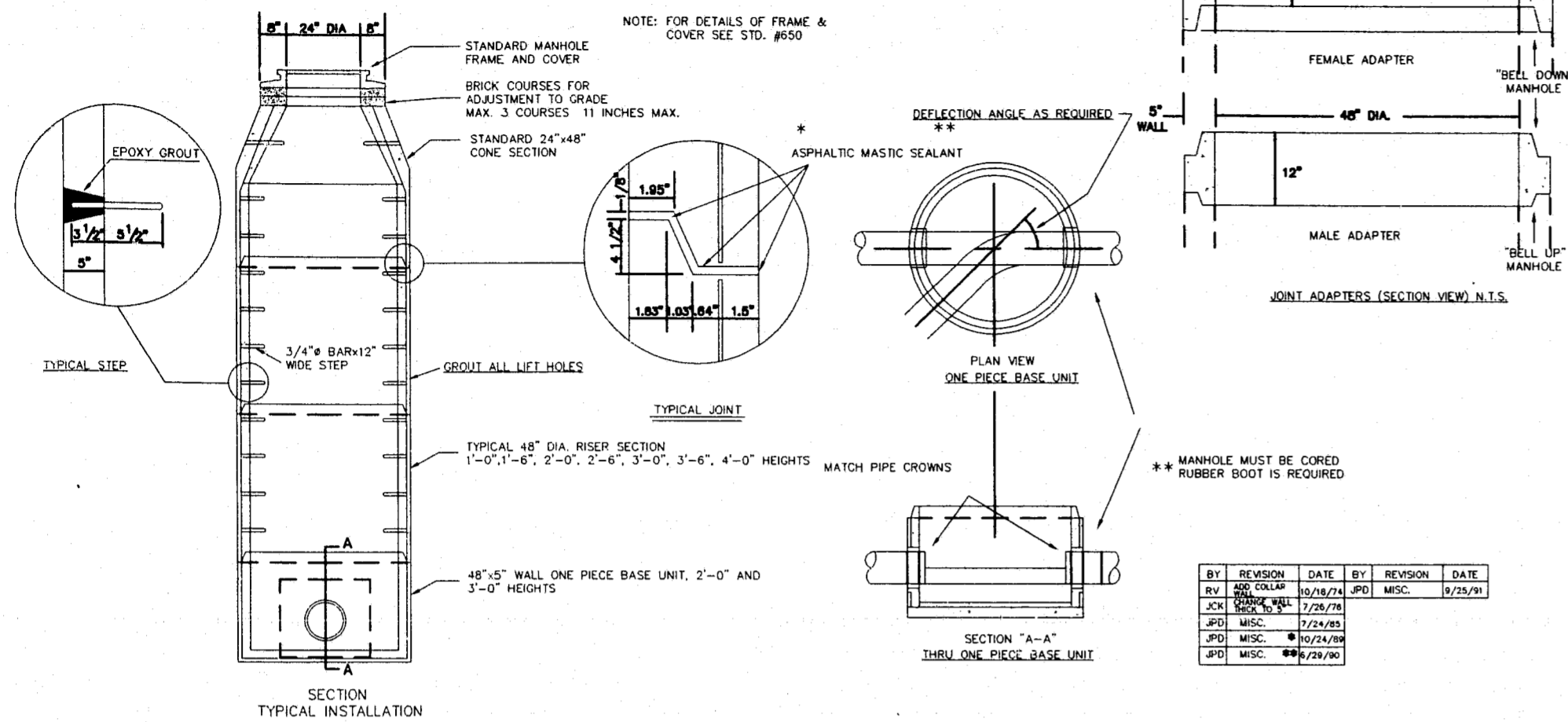
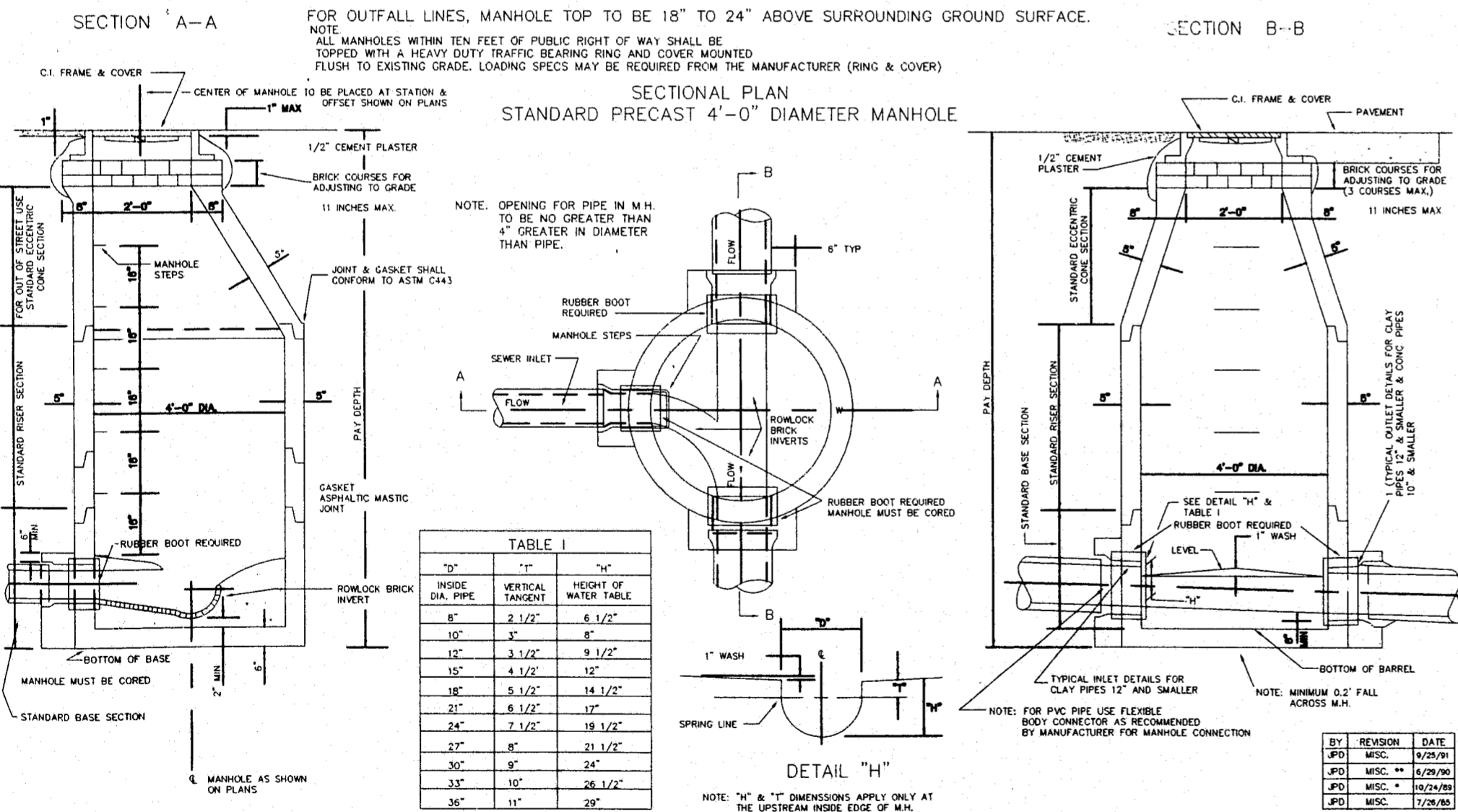


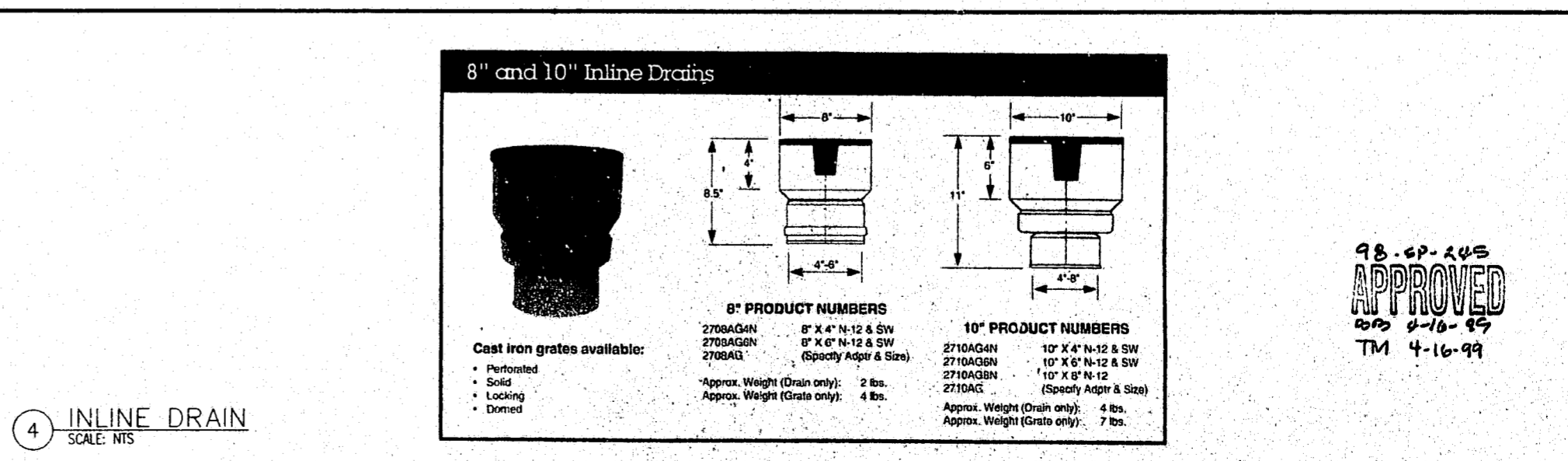
- NOTES:
 1. ALL HOLES MUST BE PRECAST
 2. MAXIMUM HOLE SIZE = PIPE O.D. #4.



2 DROP INLET TYPE "A" AND "E" WITH HOOD
 SCALE: N.T.S.



3 THRUST BLOCKING
 SCALE: N.T.S.



4 INLINE DRAIN
 SCALE: N.T.S.

1 SANITARY MANHOLE
 SCALE: N.T.S.

SITE DEVELOPMENT PLANS FOR
RUBY TUESDAY RESTAURANT
 103 CROSSROADS BOULEVARD
 CROSSROADS PLAZA
 CARY, NORTH CAROLINA

PLANS PREPARED FOR:
RUBY TUESDAY, INC.
 4721 MORRISON DRIVE
 MOBILE, ALABAMA 36625
 (334) 344-3000

The **RBA** Group, Inc.
 ENGINEERS-ARCHITECTS-PLANNERS
 3000 Peachtree Road, Suite 740 Atlanta, Georgia 30309
 Phone (404) 881-4500, Fax (404) 881-8011

REVISIONS

NO.	DATE	DESCRIPTION

DATE: 04/05/99
 JOB NUMBER: G2094.01
 FILE NUMBER: 2094 SHEET C11
 PLOTTED: 04/05/99

CONSTRUCTION DETAILS II

SHEET **C-11**