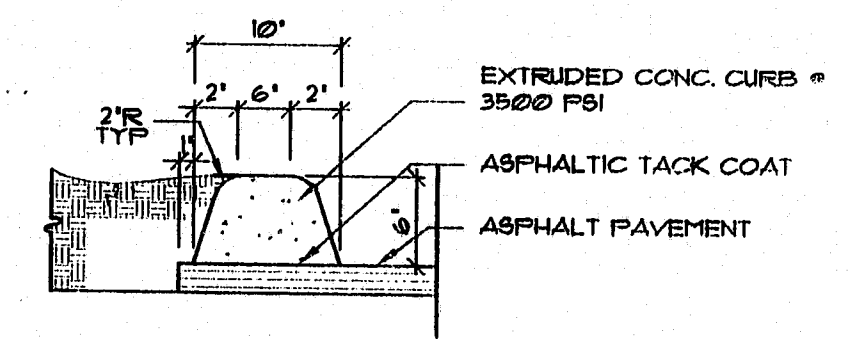
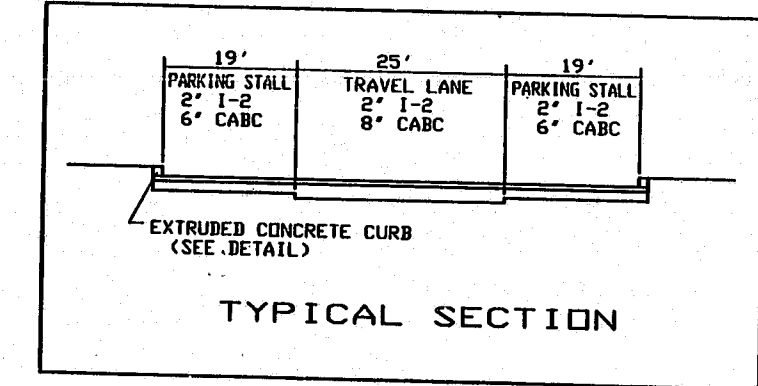
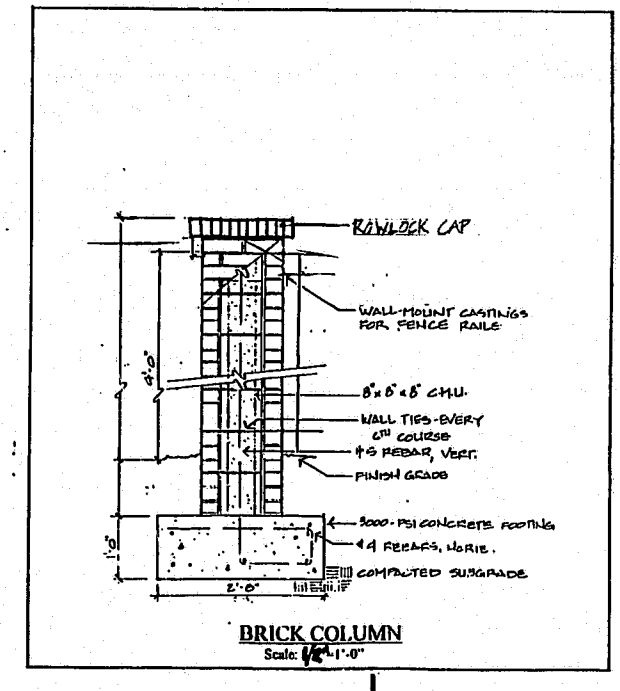


DUMPSTER SCREEN FENCE



EXTRUDED CONCRETE CURB



CONSTRUCTION DRAWINGS

STUDIO PLUS  
WESTON PARKWAY  
CARY, NORTH CAROLINA

DETAILS SHEET  
SCALE AS SHOWN

Drawn By: \_\_\_\_\_  
Checked By: \_\_\_\_\_  
Date: 7/12/95

Sheet 7 of \_\_\_\_\_

Revisions



CHARLES M. ELAM & ASSOCIATES

Urban Planning / Landscape Architecture  
975 Walnut Street  
Suite 261  
Cary, North Carolina 27511  
919/467-0577