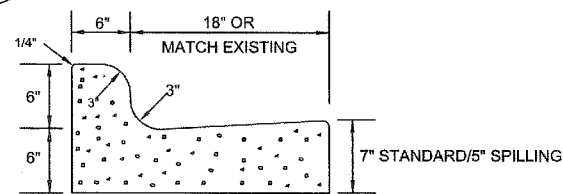
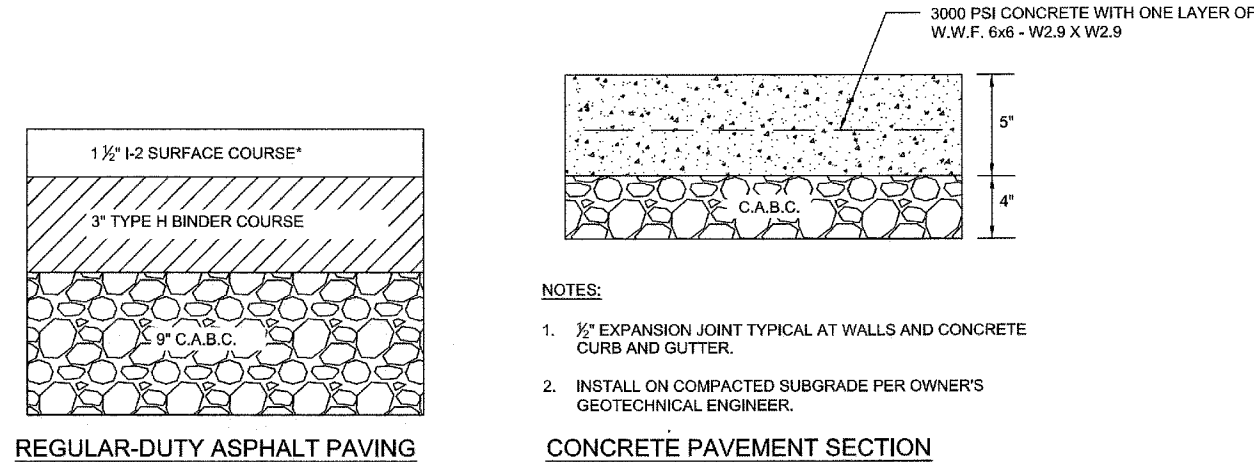


1 HANDICAP PARKING DETAILS
C-DT.01 SCALE: N.T.S.

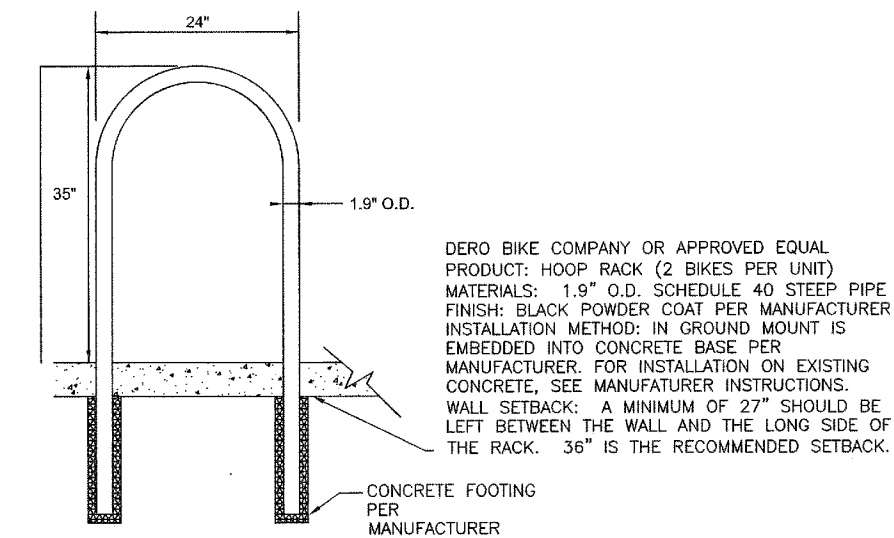


- NOTES:**
- 10' MAXIMUM BETWEEN CONSTRUCTION JOINTS.
15' MAXIMUM BETWEEN CONSTRUCTION JOINTS ON MACHINE POURS.
 - 1/2" EXPANSION JOINT EVERY 90'.
 - 3000 PSI CONCRETE MINIMUM, 4" SLUMP MAXIMUM.
 - LIQUID MEMBRANE CURING COMPOUND SHALL MEET THE REQUIREMENTS OF SECTION 1026-2 OF NCDOT STANDARDS & SPECIFICATIONS FOR ROADS AND STRUCTURES.
 - ALL CONSTRUCTION JOINTS SHALL BE FILLED WITH JOINT FILLER AND SEALER IN ACCORDANCE WITH NCDOT ROADWAY STANDARD DETAIL 846.01.

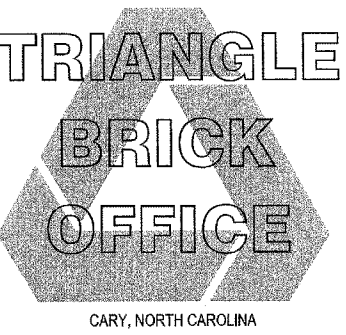
4 24' CONCRETE CURB AND GUTTER
C-DT.01 SCALE: N.T.S.



*NOTE: TOWN STANDARDS REQUIRE USE OF SUPERPAVE ASPHALT (S9.5B). I-2 CAN BE USED IF THE PLANT IS NCDOT CERTIFIED. VERIFICATION OF THIS CERTIFICATION WOULD BE NEEDED PRIOR TO INSTALLATION.



7 NOT USED
C-DT.01 SCALE: N.T.S.



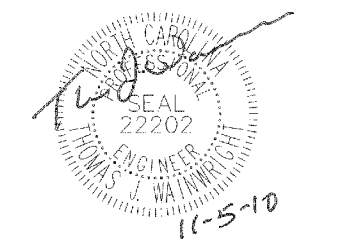
client
TRIANGLE BRICK COMPANY
TRIANGLE BRICK COMPANY
5825 NC HWY 65
DURHAM, NC 27713
(TEL) 919.544.1796
(FAX) 919.544.3904

civil engineer
JACOBS
NC LICENSE # F-0287
119 CORNWALL ROAD
SUITE 2200, CARY, NC 27518
PHONE: 919.869.5500, FAX: 919.859.5151
CONTACT: THOMAS.WAINWRIGHT@JACOBS.COM

architect
PBCL ARCHITECTURE
333 FAYETTEVILLE ST. SUITE 1000
RALEIGH, NC 27601 919.859.9751

landscape architect
CCD
Carter Crawford DESIGN P.A.
Landscape Architecture Urban Design
1001 1/2 W. PEACE ST.
RALEIGH, NC 27605 919.819.1400

submittal
TOWN OF CARY
SITE PLAN SUBMITTAL
10-SP-014



VERIFY SCALE
0 1
BAR IS ONE INCH ON ORIGINAL DRAWING. IF NOT 1 INCH ON THIS SHEET, ADJUST SCALE

ISSUE	DATE	DESCRIPTION
1	06/10/10	1ST SUB. - TOC
2	07/29/10	2ND SUB. - TOC
3	09/13/10	3RD SUB. - TOC
4	09/13/10	RELEASED FOR BIDDING
5	10/04/10	REVISED FOR BIDDING
6	11/05/10	MYLARS - TOC

MARK DATE DESCRIPTION

PROJECT NO: E7X76708
CAD FILE: C-DT.01.DWG
DRAWN BY: TJD
CHECKED BY: JWJ QC BY: TJW
SCALE: PER PLAN
DATE: June 10, 2010

sheet title

SITE DETAILS I

sheet number

C-DT.01

10-SP-014
NTE #1-10-1189
APPROVED BY
TJD
KALAN 11/11/2010