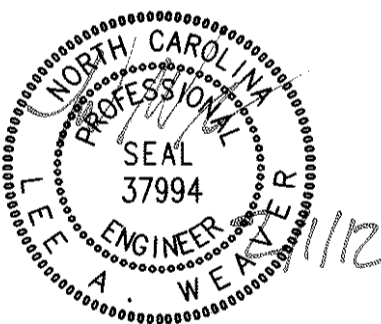


J DAVIS ARCHITECTS

WITHERS & RAVENEL
ENGINEERS | PLANNERS | SURVEYORS

Dominion Realty Partners Tryon Place at Cary Parkway 6475 Tryon Road Cary, North Carolina



PROJECT:	DRP-10032	DATE	10.14.2010
ISSUE:	Preliminary Development		10.14.2010
	Major Site Plan		09.08.2011
	1st Review		11.10.2011
	2nd Review		12.29.2011
	3rd Review		01.23.2012

REVISIONS:		

DRAWN BY: WRR
CHECKED BY: WRR

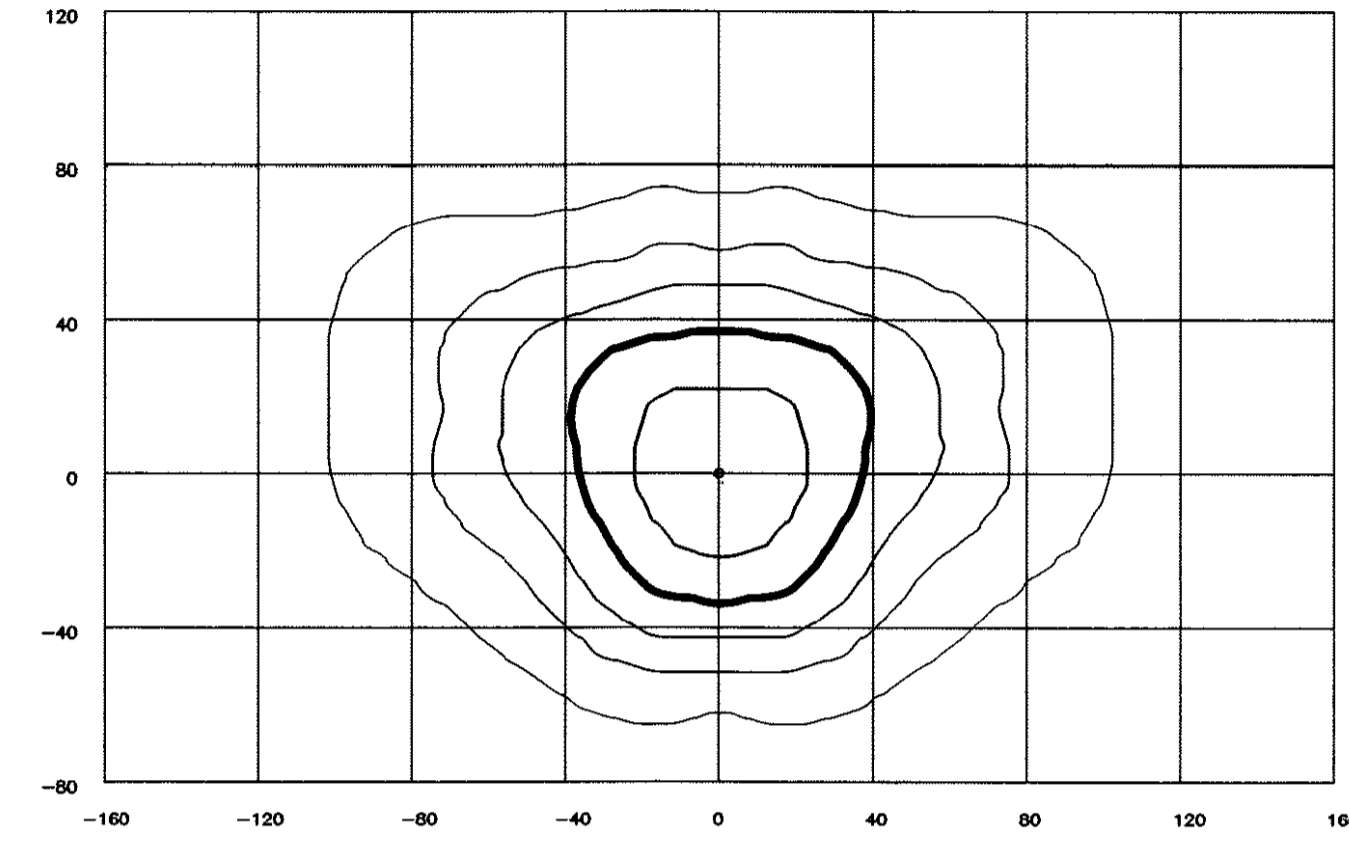
CONTENT: LIGHTING PLAN DETAILS

C7.1

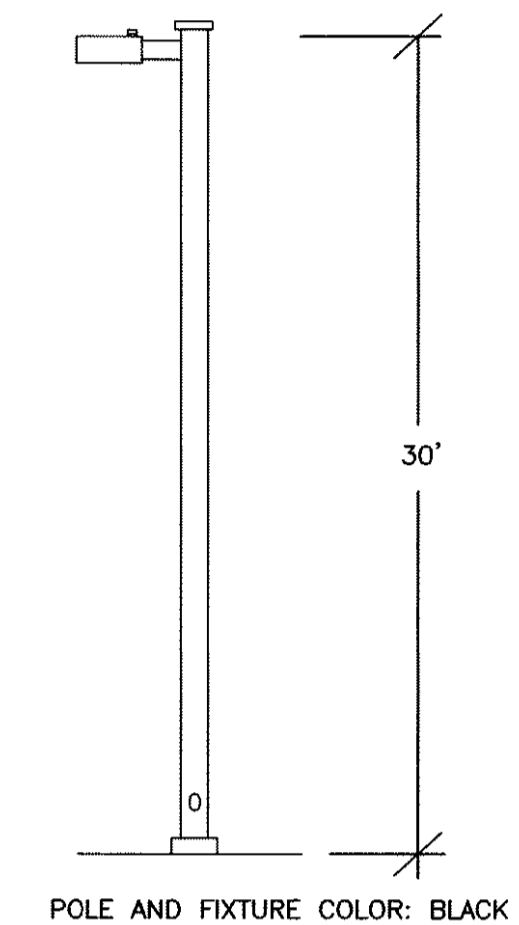
© 2012 J DAVIS ARCHITECTS EXPRESSLY RESERVES ITS COMMON LAW COPYRIGHT AND OTHER PROPERTY RIGHTS IN THESE PLANS. THESE PLANS ARE NOT TO BE REPRODUCED, CHANGED OR COPIED IN ANY FORM OR MANNER WHATSOEVER, NOR ARE THEY TO BE ASSIGNED TO ANY THIRD PARTY WITHOUT FIRST OBTAINING THE EXPRESSED WRITTEN PERMISSION AND CONSENT OF J DAVIS ARCHITECTS, PLLC

FIXTURE: SHOEBOX
MOUNTING HEIGHT: 30 FT
LAMP: 250W, 28,500 LUMENS, SODIUM
PATTERN: TYPE III

NOTE: THE FOOTCANDLE READINGS BELOW ARE MAINTAINED AND HAVE BEEN DEPRECIATED FOR LAMP LUMEN DEPRECIATION AND LUMINAIRE DIRT DEPRECIATION. FOR INITIAL FOOTCANDLES, DIVIDE THE READINGS BELOW BY .80.



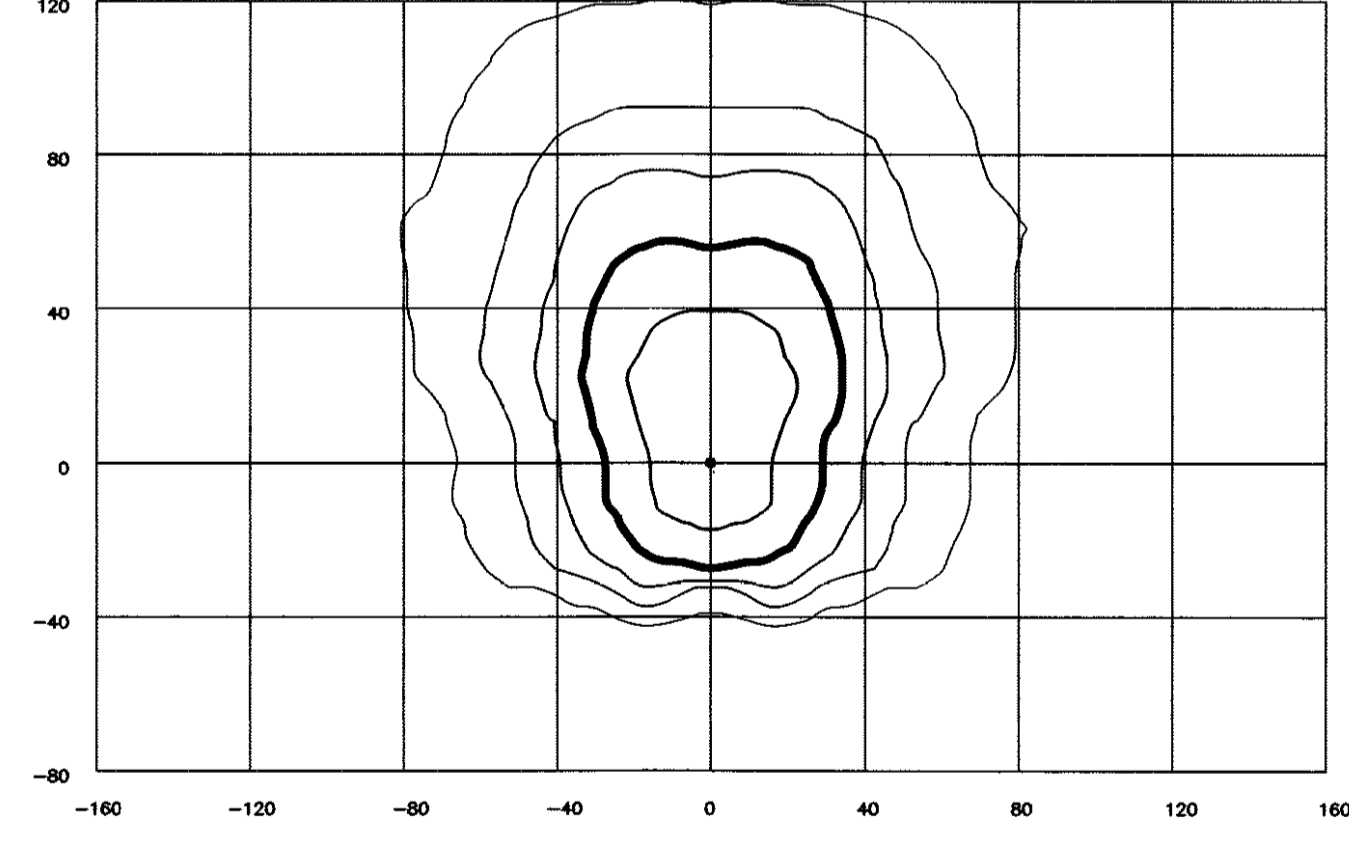
LEGEND (OUTER to INNER): 0.100 , 0.250 , 0.500 , 1.00 , 2.00



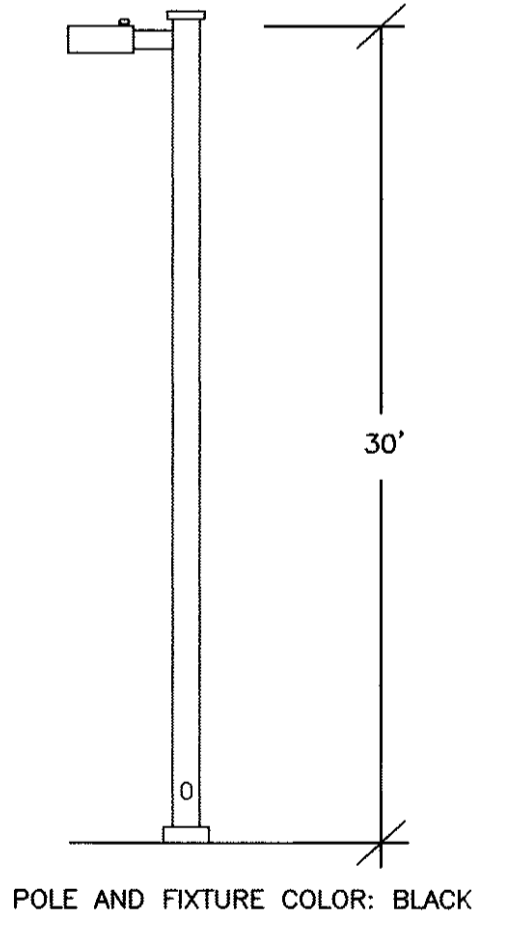
POLE AND FIXTURE COLOR: BLACK

FIXTURE: SHOEBOX - FORWARD THROW
MOUNTING HEIGHT: 30 FT
LAMP: 250W, 28,500 LUMENS, SODIUM
PATTERN: TYPE IV

NOTE: THE FOOTCANDLE READINGS BELOW ARE MAINTAINED AND HAVE BEEN DEPRECIATED FOR LAMP LUMEN DEPRECIATION AND LUMINAIRE DIRT DEPRECIATION. FOR INITIAL FOOTCANDLES, DIVIDE THE READINGS BELOW BY .80.



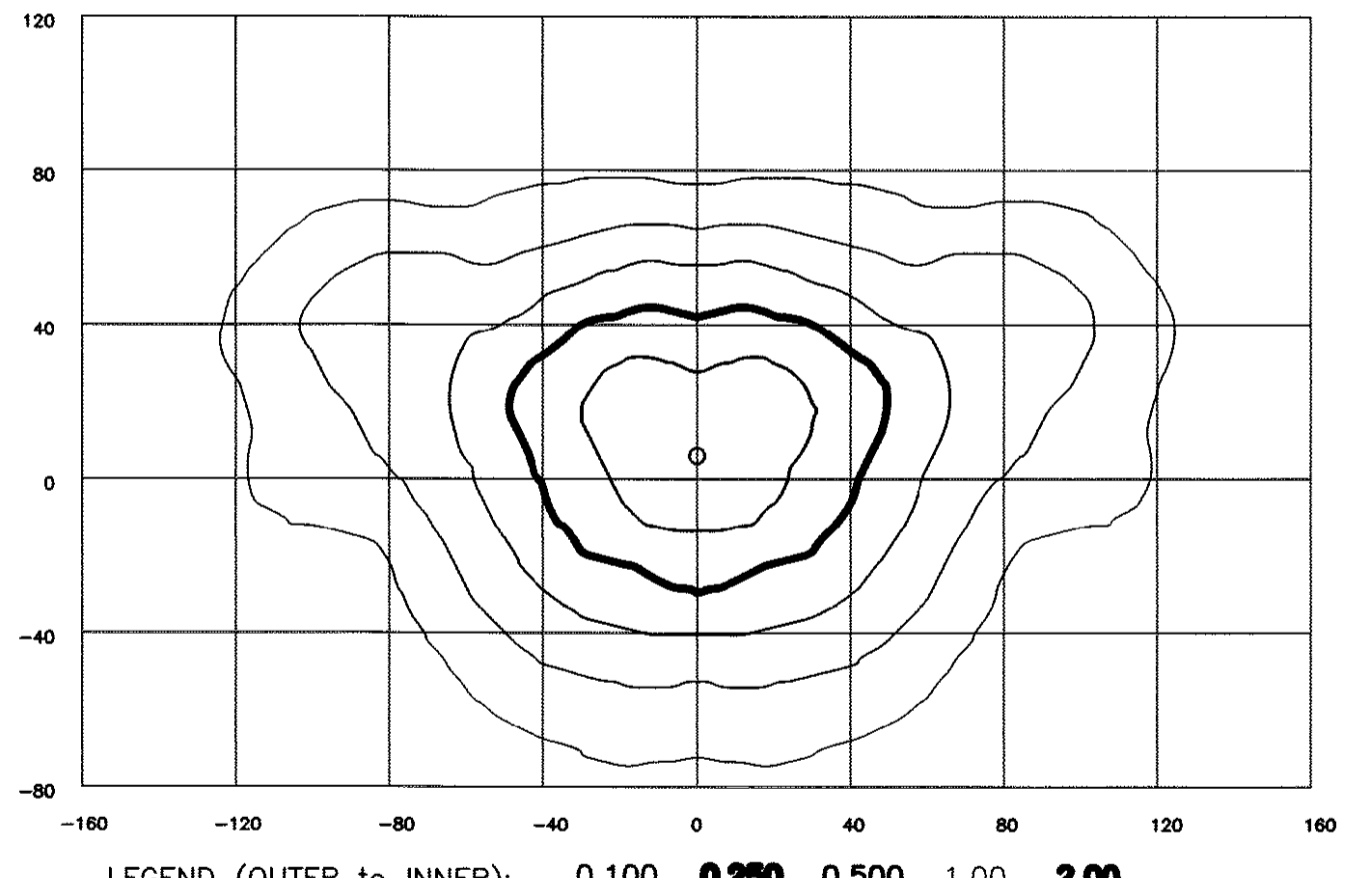
LEGEND (OUTER to INNER): 0.100 , 0.250 , 0.500 , 1.00 , 2.00



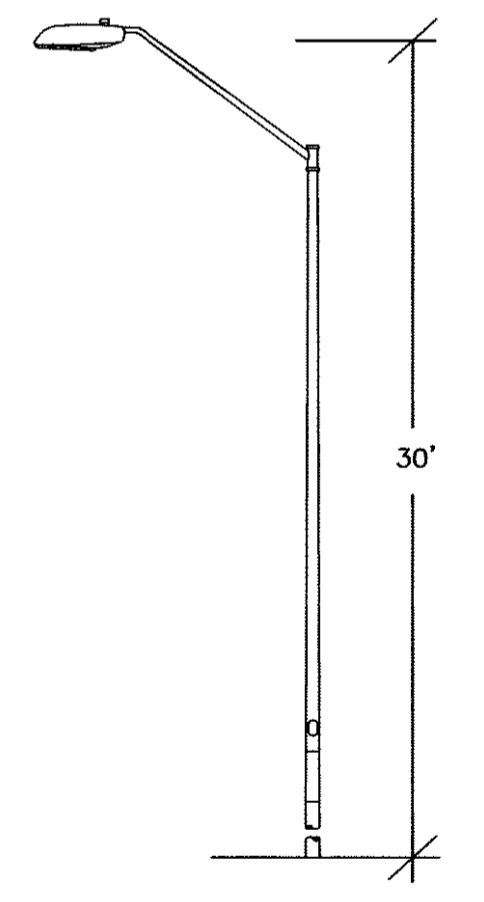
POLE AND FIXTURE COLOR: BLACK

FIXTURE: SAG LENS COBRA HEAD
MOUNTING HEIGHT: 30 FT
LAMP: 400W, 40,000 LUMENS, METAL HALIDE
PATTERN: TYPE III

NOTE: THE FOOTCANDLE READINGS BELOW ARE MAINTAINED AND HAVE BEEN DEPRECIATED FOR LAMP LUMEN DEPRECIATION AND LUMINAIRE DIRT DEPRECIATION. FOR FOOTCANDLES, DIVIDE THE READINGS BELOW BY .80.



LEGEND (OUTER to INNER): 0.100 , 0.250 , 0.500 , 1.00 , 2.00



REFERENCE:
HTE NUMBER: 11-0375
10-REZ-12

APPROVED BY Cary DPC
11-SP-04
HTE 12-0238
Planner: [Signature] DATE: 2/6/12