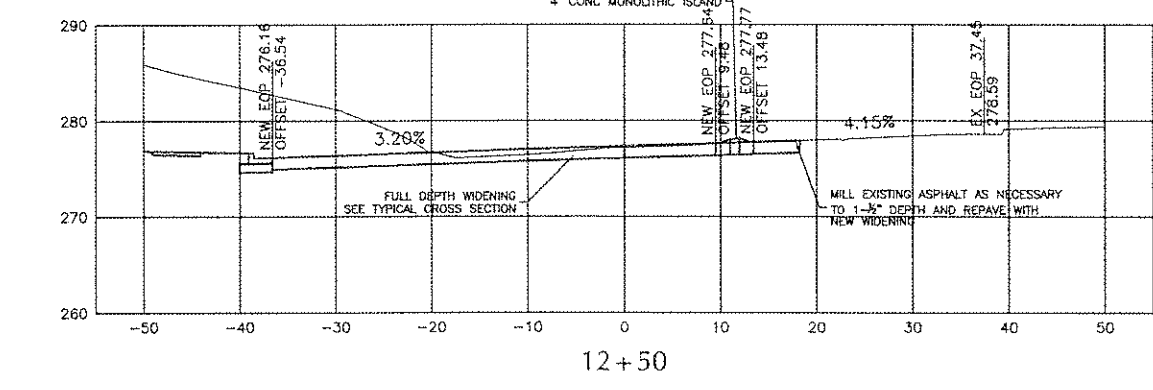
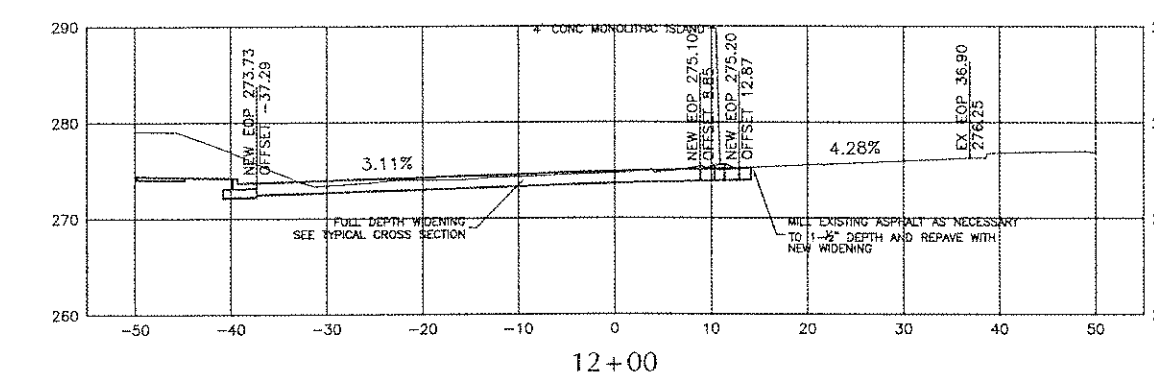
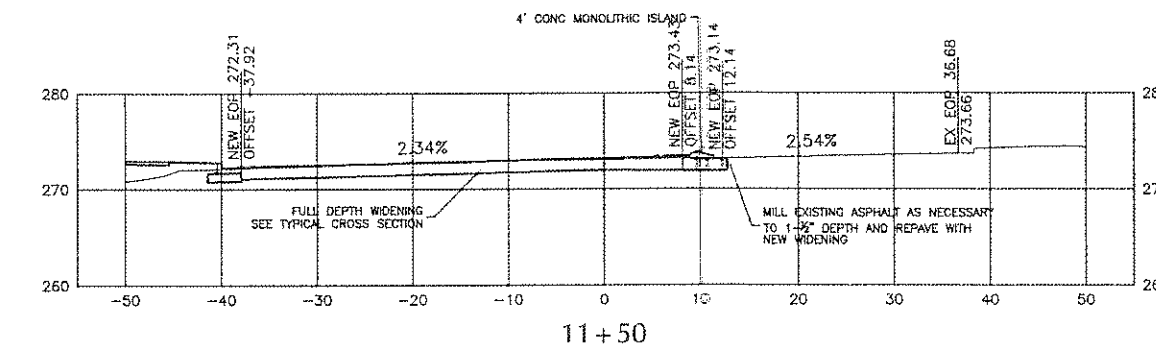
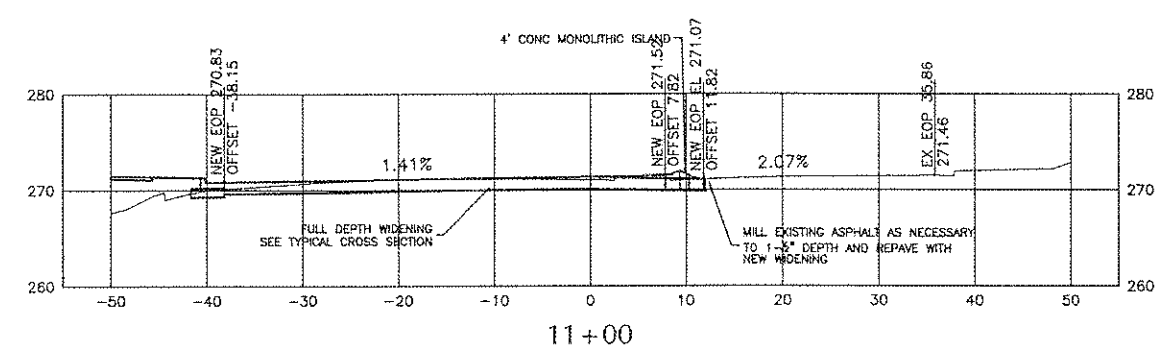
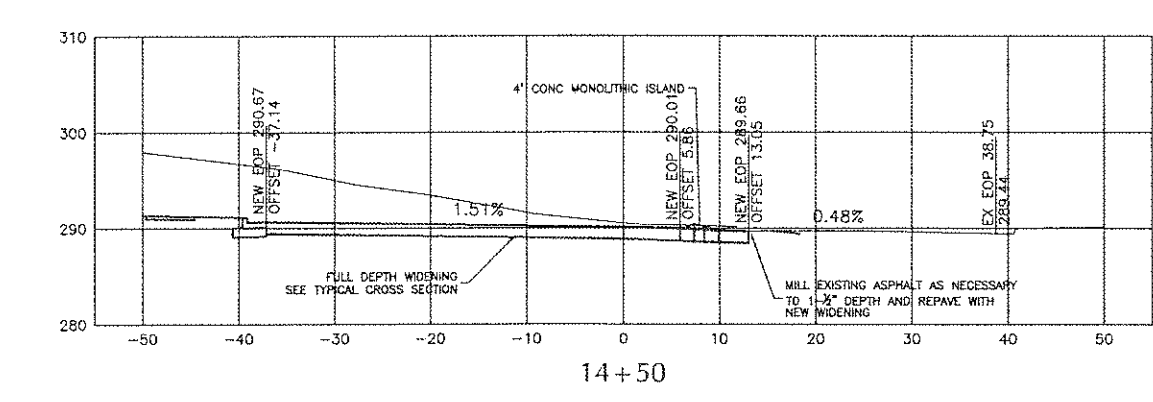
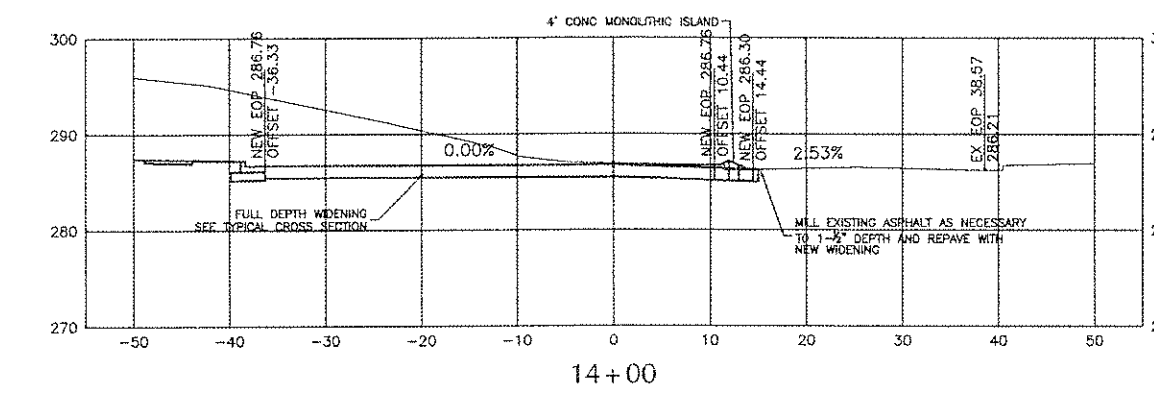
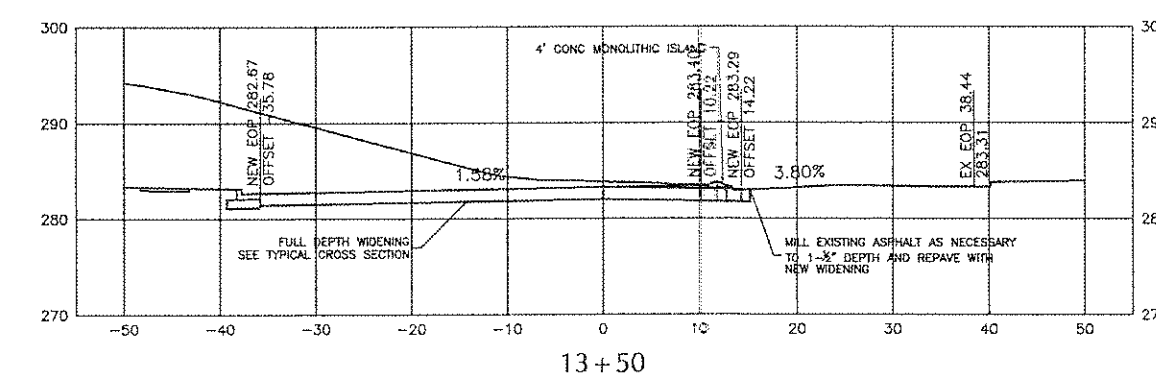
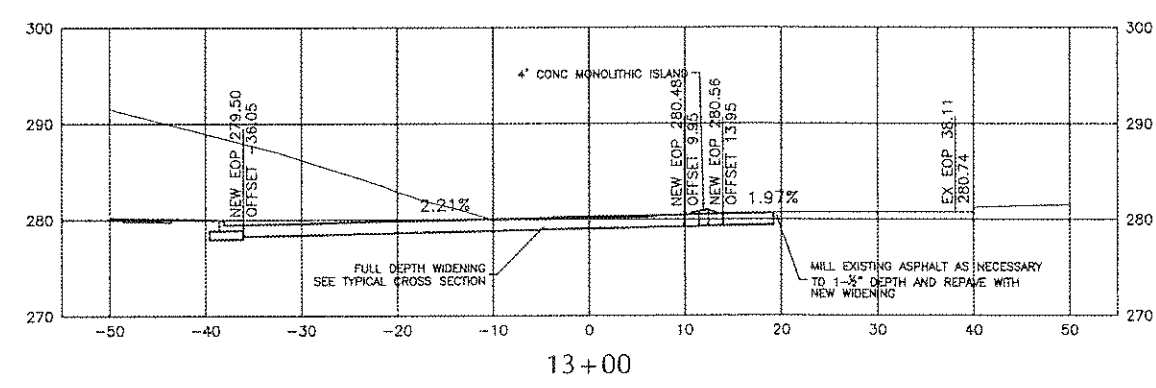
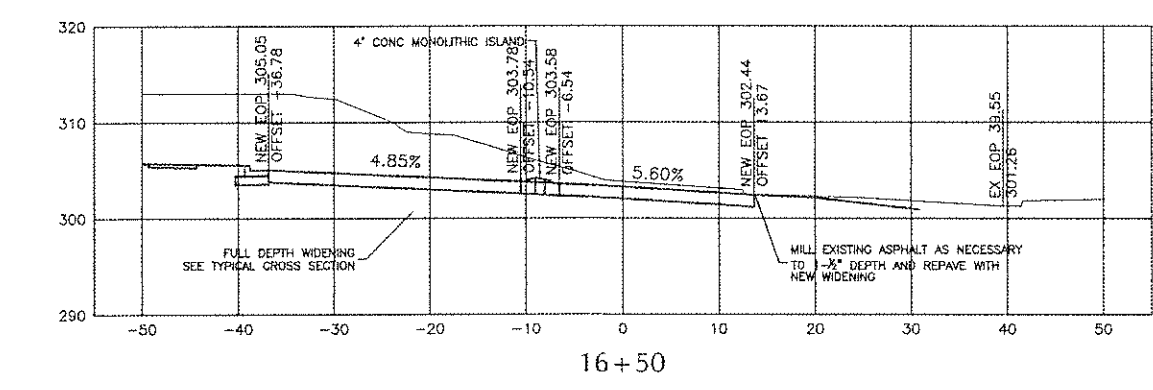
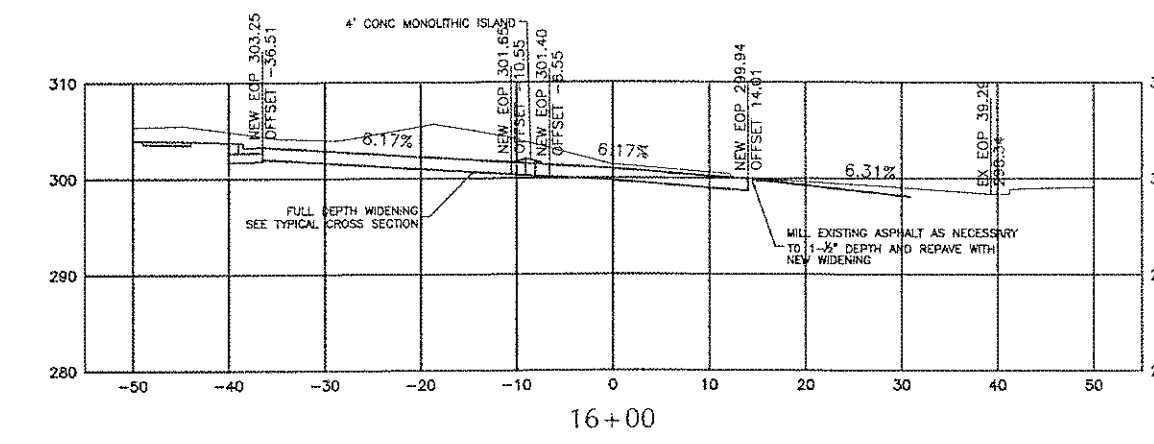
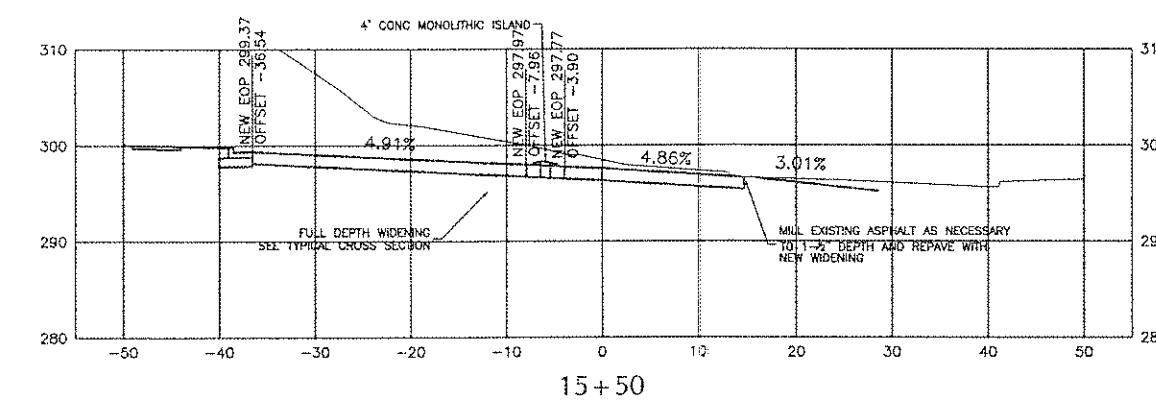
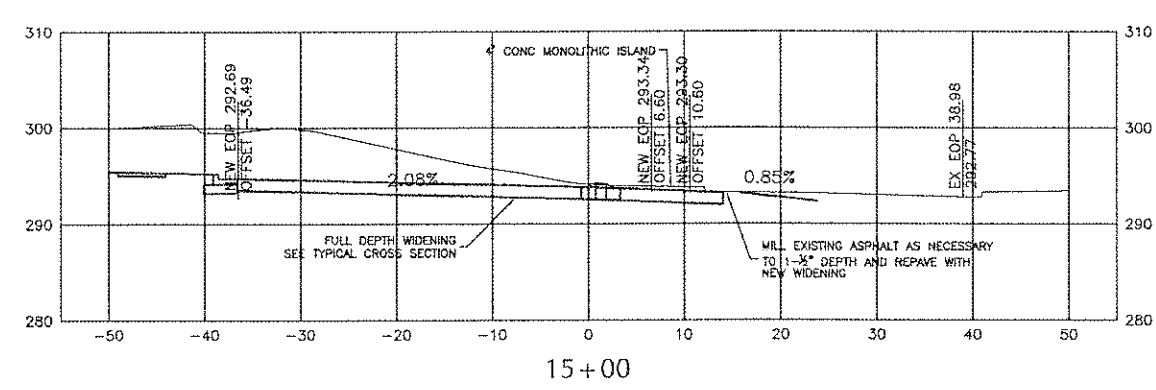


K:\13-008\13084-Village At The Park\CD\Construction Drawings\SPRINT\SECTION5.dwg - Wednesday, April 10, 2014 4:03:25 PM TILLET, GORD



No.	Revision	Date	By
6	AS PER TOC REVIEW, MASTER SET	04/16/14	KLJ

No.	Revision	Date	By
1	AS PER TOC REVIEW COMMENTS	09/29/13	KLJ
2	REVISED PER TOC 2ND REVIEW COMMENTS	11/26/13	KLJ
3	REVISED PER TOC 3RD REVIEW COMMENTS	01/11/14	KLJ
4	REVISED PER TOC 4TH REVIEW COMMENTS	02/14/14	KLJ
5	REVISED PER TOC 5TH REVIEW COMMENTS	03/10/14	KLJ

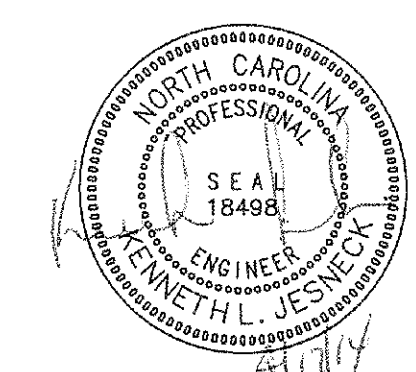
Designer	KJ	Scale	AS NOTED
Drawn By	ATC	Date	7/11/13
Checked By	KJ	Job No.	02130084.00

VILLAGE AT THE PARK
 Town of Cary Wake County North Carolina

KIT CREEK RD. CROSS SECTIONS

WITHERS & RAVENEL
 ENGINEERS | PLANNERS | SURVEYORS
 111 MacKean Drive Cary, North Carolina 27511 tel: 919-469-3340 www.wITHERSRAVENEL.COM License No. C-0832

Sheet No.
13.2



Cary Project Number 13-SB-013
 HTE #: 14-0152
Approved by the Town of Cary
 Development Review Committee
 Planner *K.H.H.* Date *5/11/14*