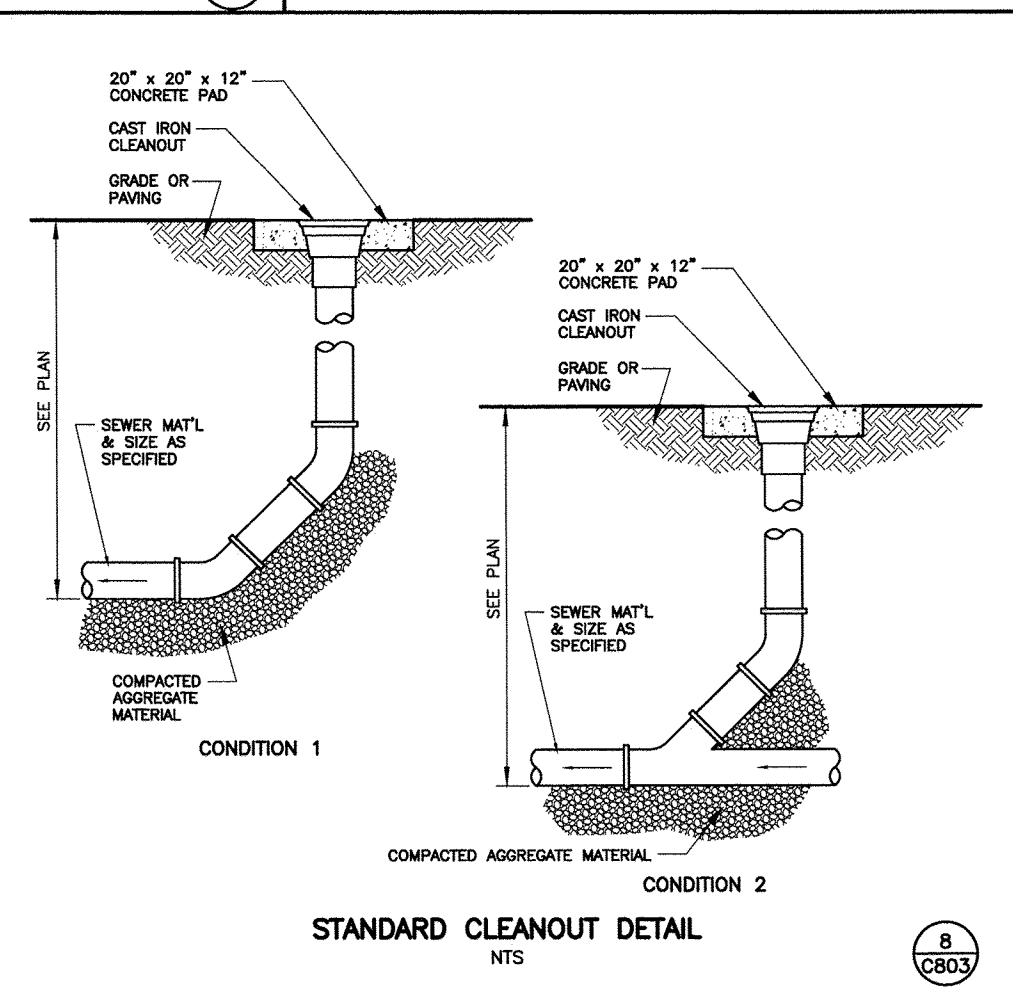
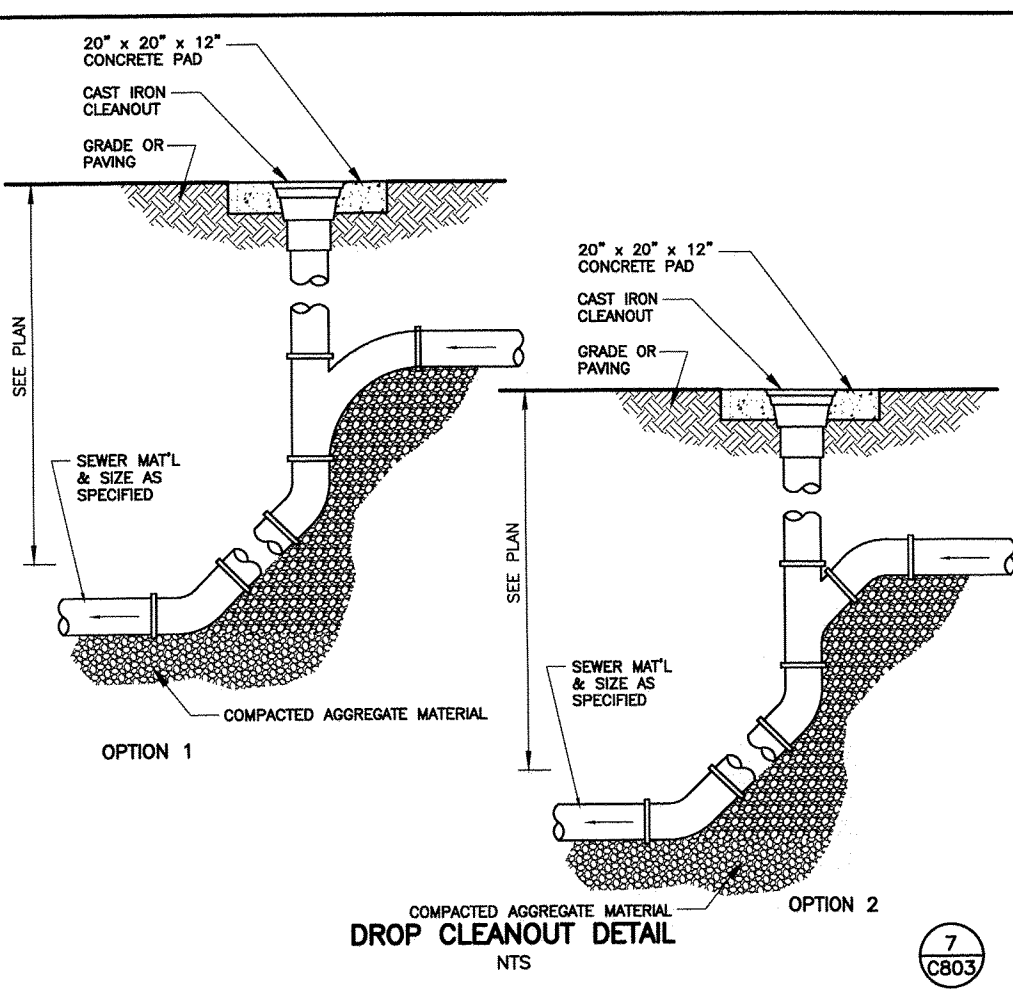
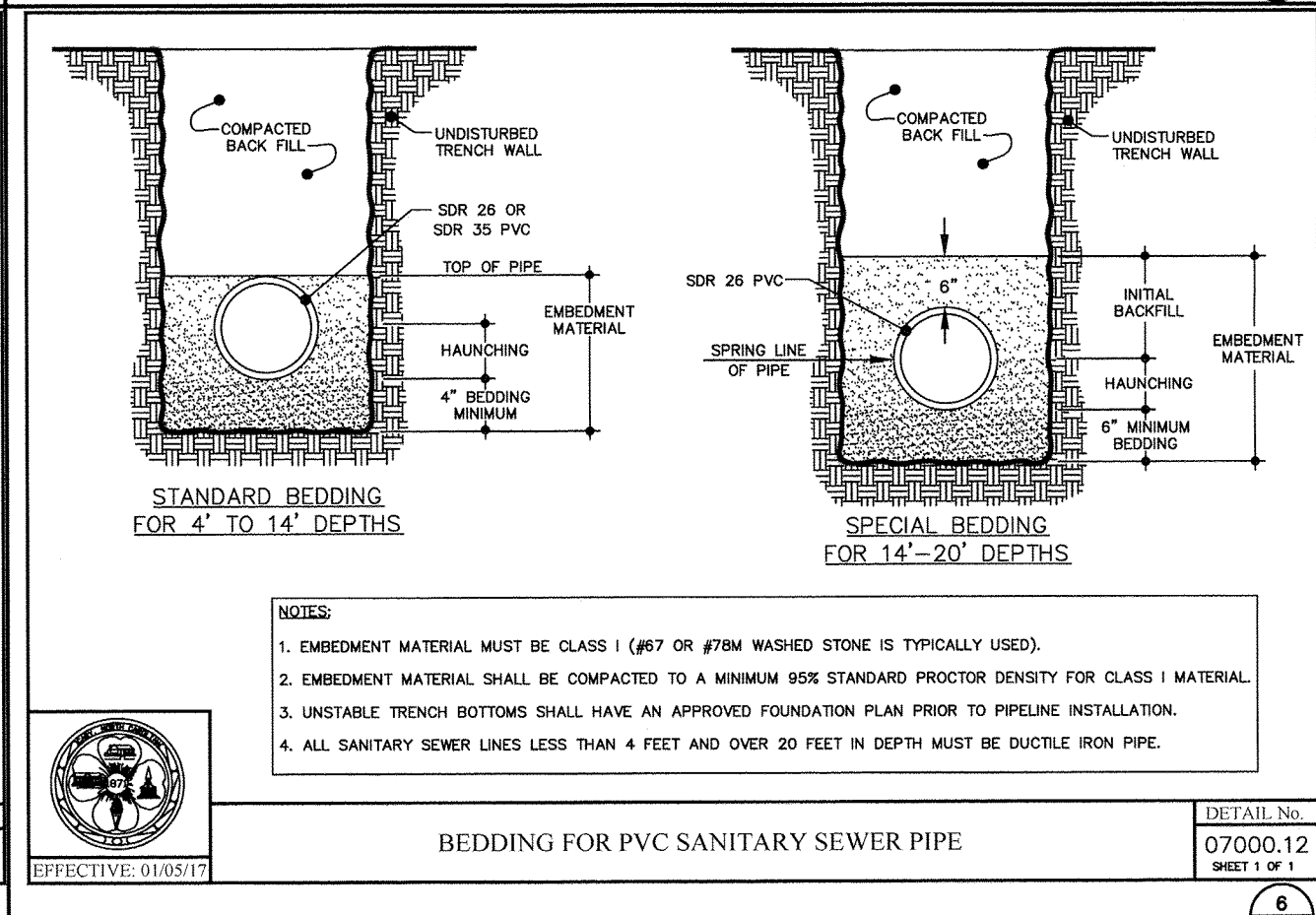
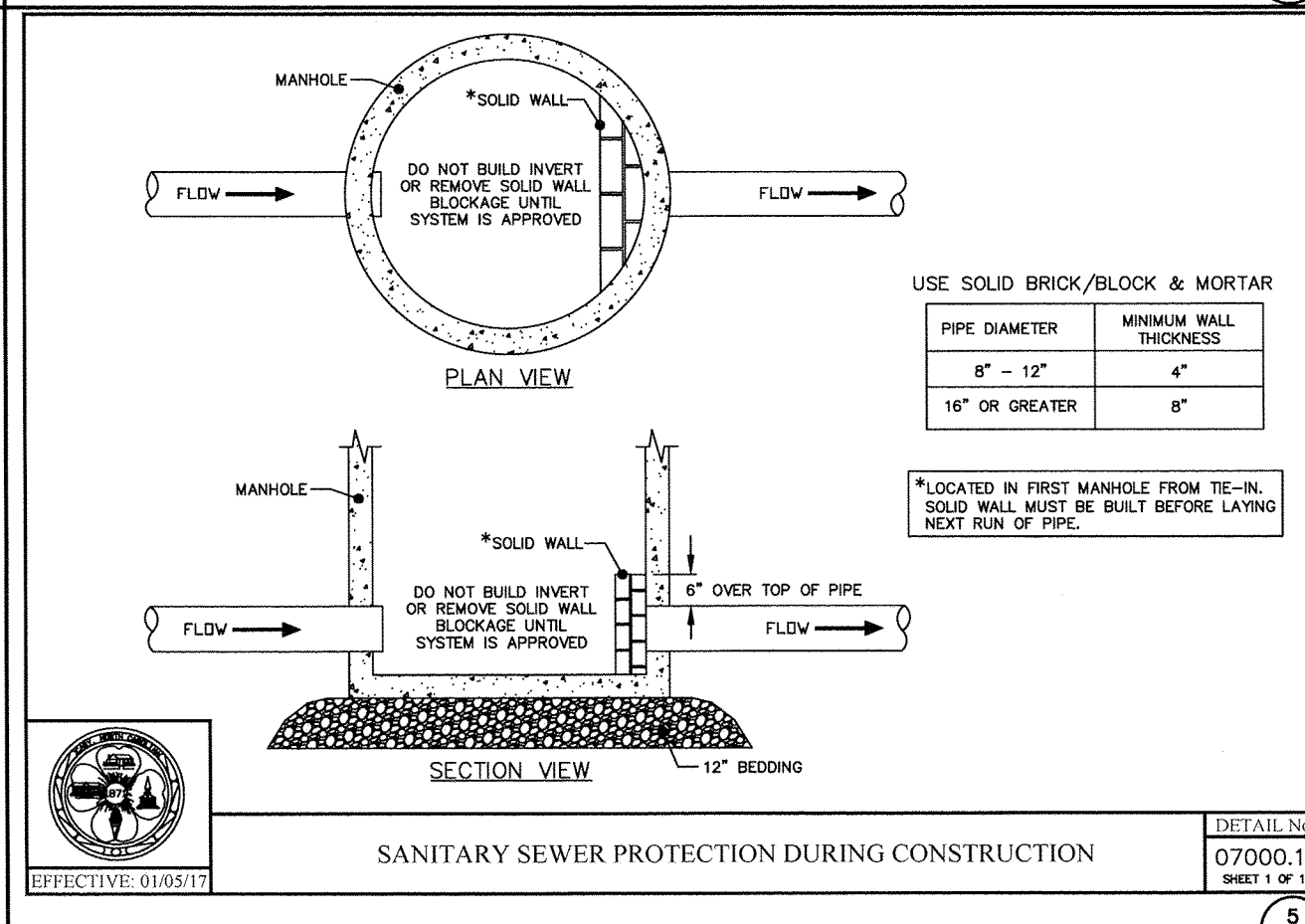
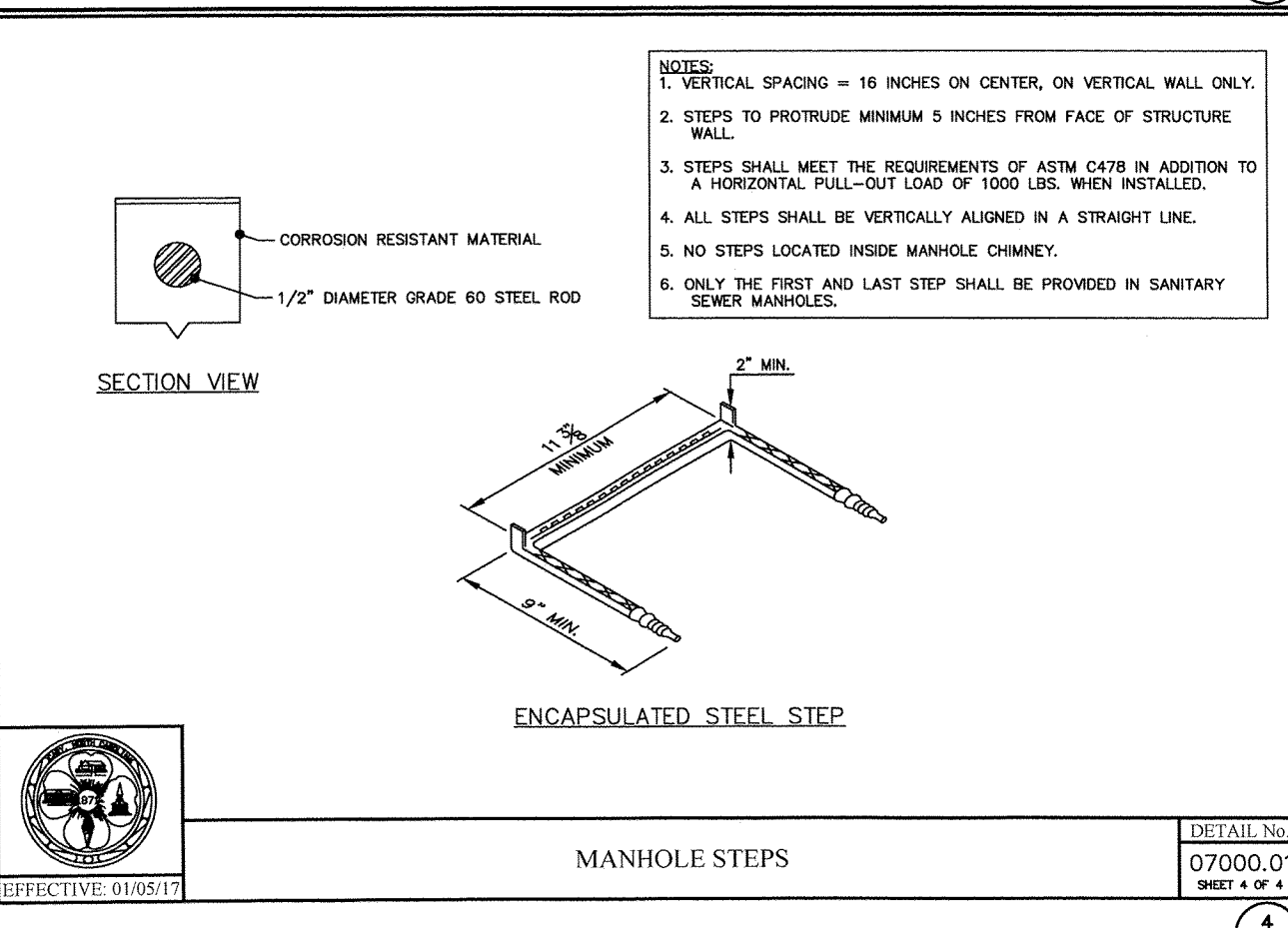
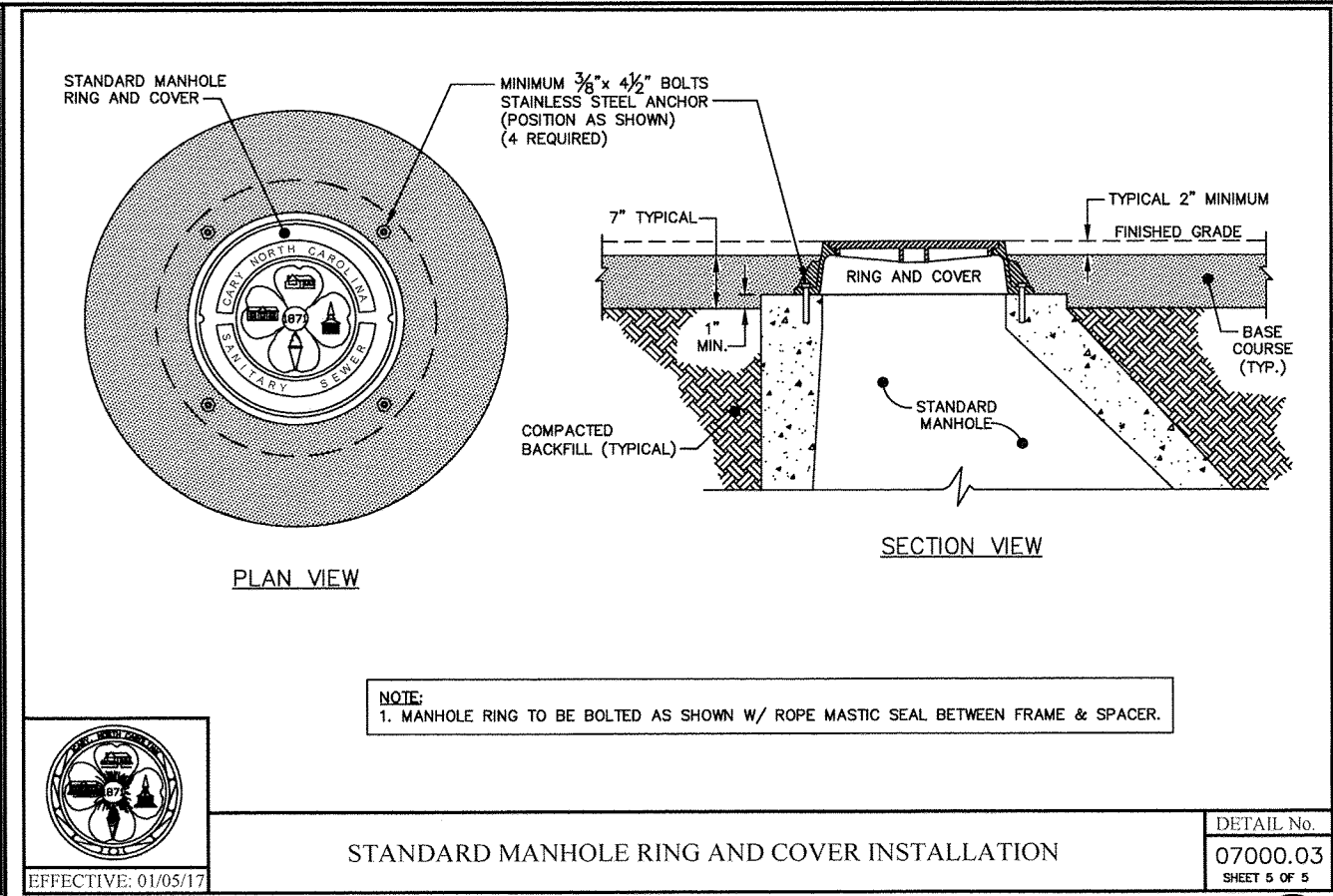
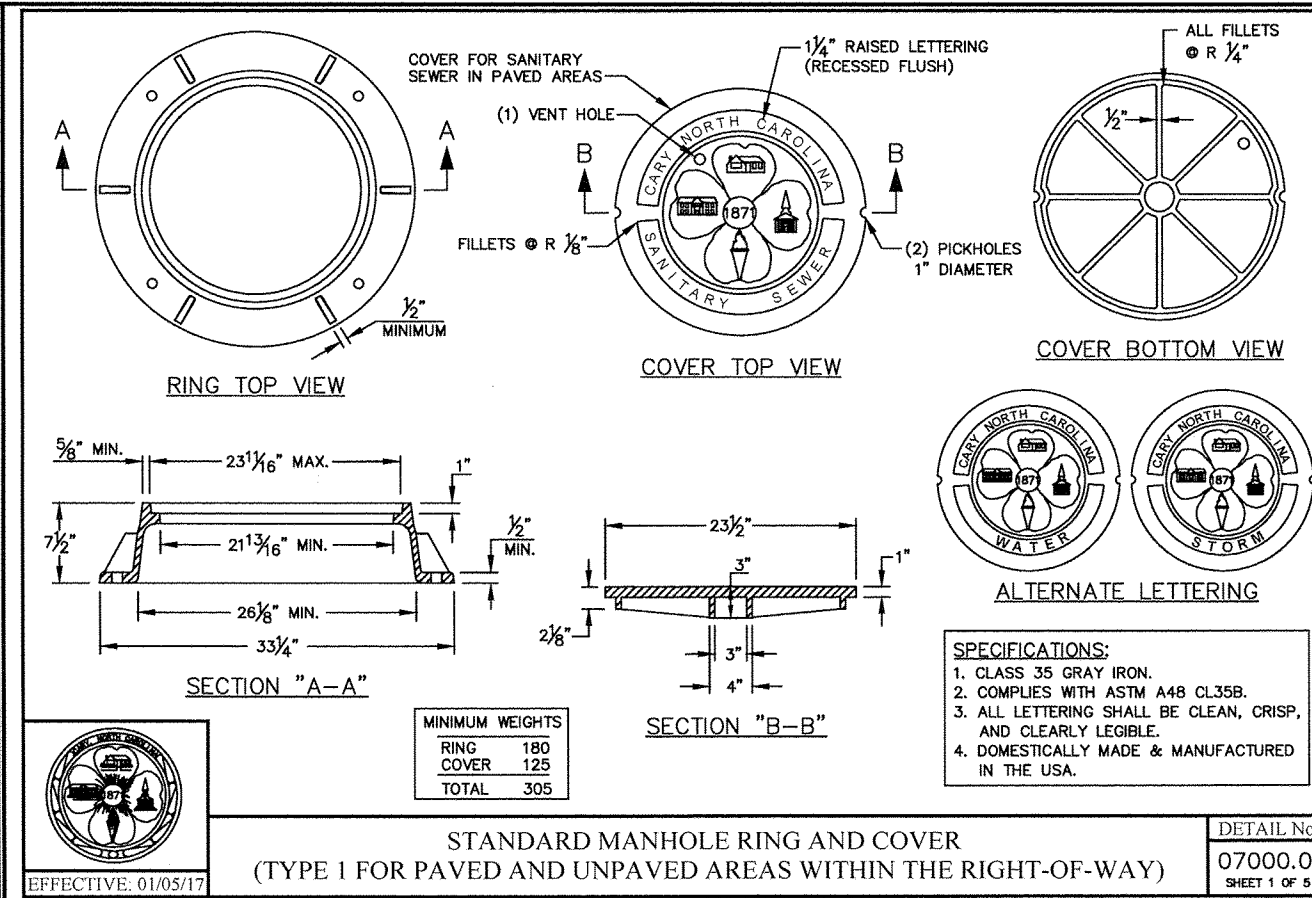
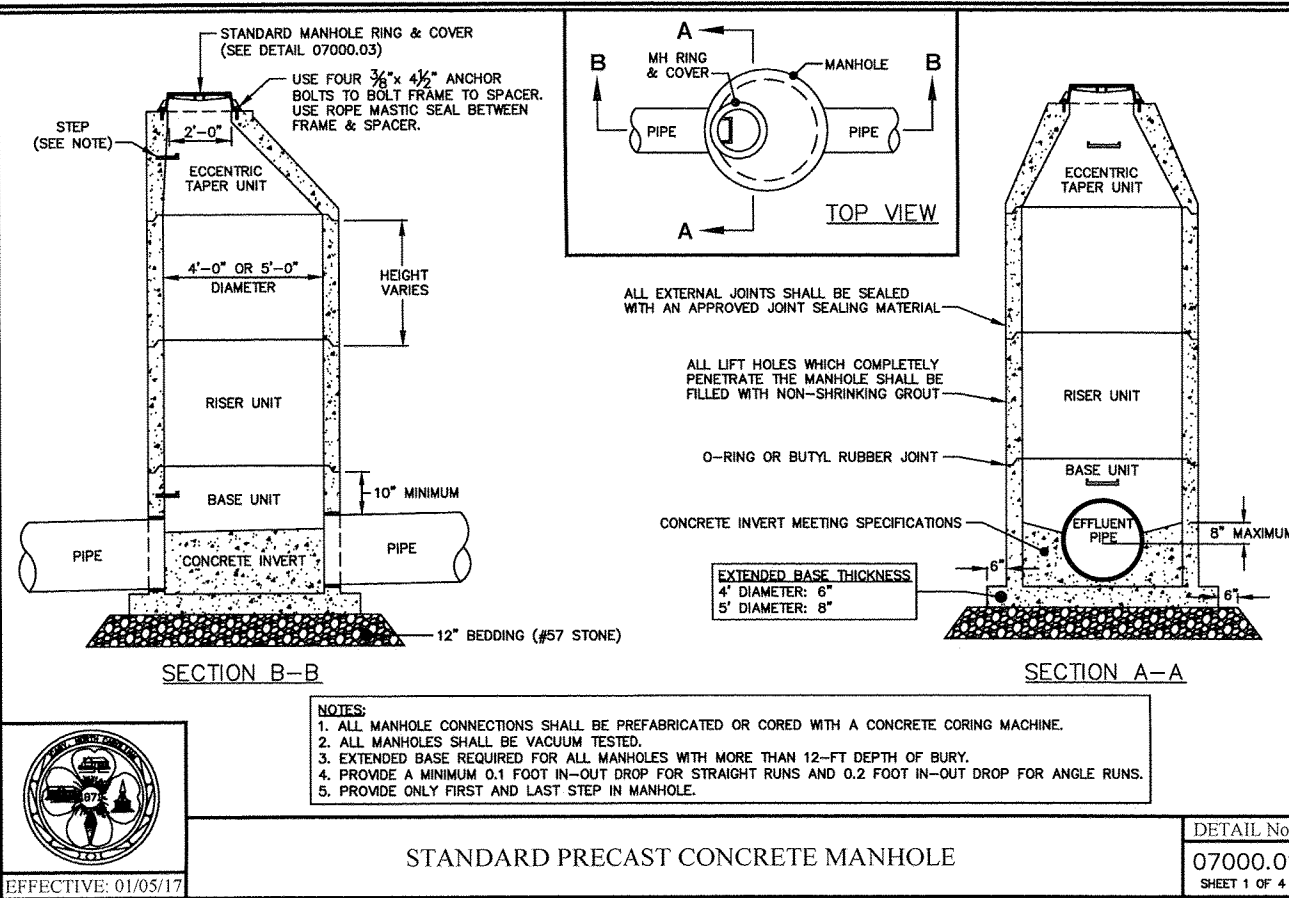


Last Saved: 11/8/2017 4:45:00 PM G:\DE\Clients\WaterWalk\075356\Morrisville, NC\4.0 Disciplines\Civil\Cadd\Cd\075356-C600-DET.dwg Plotted By: lczdzinski, Jake Plotted: January 17, 2018, 2:51:50 PM



MORRISVILLE PROJECT #: 17-11000001 FILE #: 17-0001-S/C

Town of Morrisville
APPROVED FOR CONSTRUCTION

Signature: *[Signature]* Date: 5/31/18
Town of Morrisville, Town Engineer

Signature: *[Signature]* Date: 5/23/18
Town of Cary Utilities, Water and Sewer

Engineering: 5/20/18 R.P.P.
Planning: 7/15/18 J.L.L.
Other (specify): 5/21/18 J.S.S. (S.W.)

Engineering Inspection Services must be contacted (919) 463-6907 at a minimum 24 hours prior to the commencement of any construction activities.

WOLPERT
ARCHITECTURE / ENGINEERING / CONSULTANTS

11301 Carmel Commons Blvd.
Suite 300
Charlotte, NC 28226
704.525.6284
FAX: 704.525.8529

REVISION

DATE

No.

PROJECT No.: 075356
DATE: 01/24/17
DES.: JG
DR.: JL
CKD.: TR

SITE IMPROVEMENT PLANS
WATERWALK MORRISVILLE
1012 & 1016 LOWER SHILOH WAY
MORRISVILLE, NORTH CAROLINA

SANITARY SEWER DETAILS

SHEET NO. **C803**

01/18/18 REVISED FOR FINAL APPROVAL