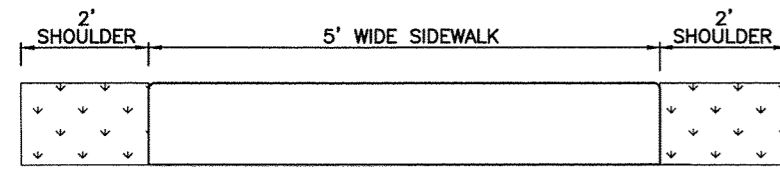
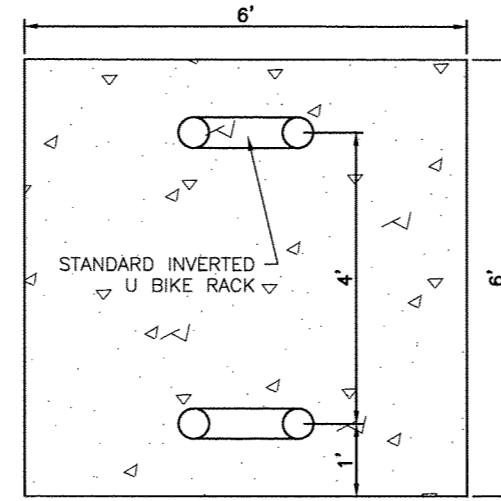


Last Saved By:ladzinski, 11/8/2017 4:45:00 PM G:\DE\Clients\WaterWalk\075356 Morrisville, NC\4.0 Disciplines\Civil\Cadd\Cad\075356-C600-DET.dwg Plotted By:ladzinski, Jake Plotted:January 17, 2018, 2:51:55 PM



LANDSCAPE RECOVERY SHOULDER DETAIL
NTS

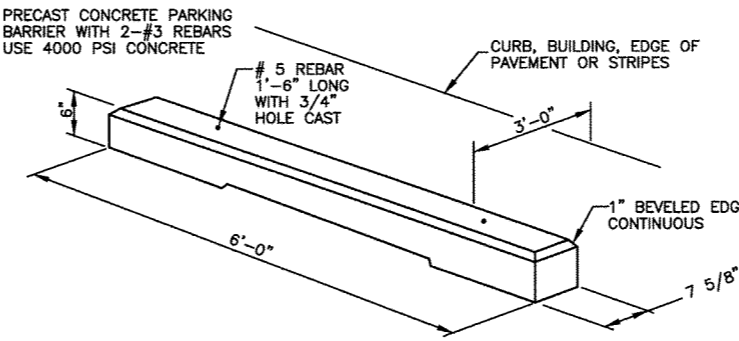
1
C806



BIKE RACK NOTES:
1.) INSTALL BIKE RACK AS PER MANUFACTURER'S RECOMMENDATIONS FOR INSTALLATION.
2.) ALTERNATIVE BIKE RACKS MAY BE USED BUT ARE SUBJECT TO APPROVAL BY THE OWNER AND TOWN OF MORRISVILLE. BIKE RACK SHALL ACCOMMODATE TWO BICYCLES.
3.) DIMENSIONS SHOWN ARE MINIMUM.

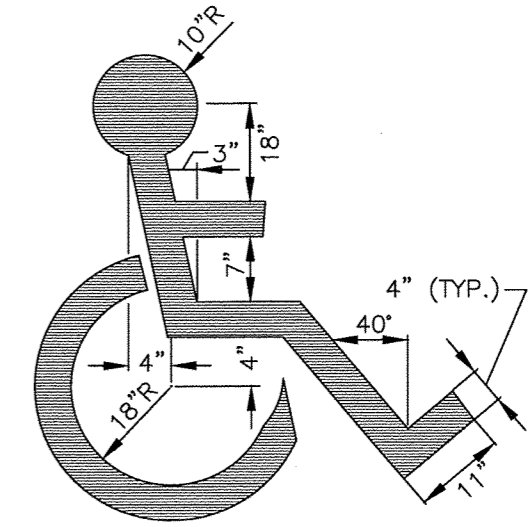
BIKE RACK PLACEMENT DETAIL
NTS

2
C806



PRECAST CONCRETE WHEEL STOP DETAIL
NTS

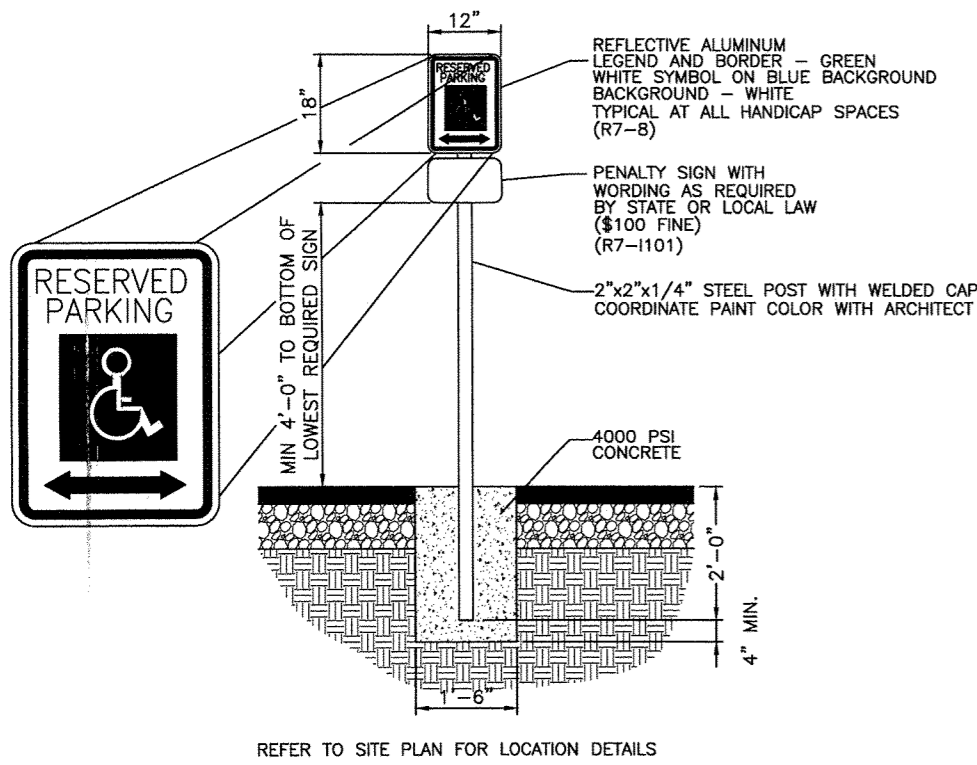
3
C806



NOTE: SYMBOL TO BE CENTERED ON WIDTH OF PARKING STALL. SYMBOLS ARE REQUIRED TO CONTRAST WITH BACKGROUND. (COLOR NO. 105090 IN FEDERAL STANDARDS 595a) DOUBLE COAT. (TYP.) SYMBOL SHALL MEET THE NORTH CAROLINA ACCESSIBILITY CODE AND THE AMERICANS WITH DISABILITIES ACT CRITERIA.

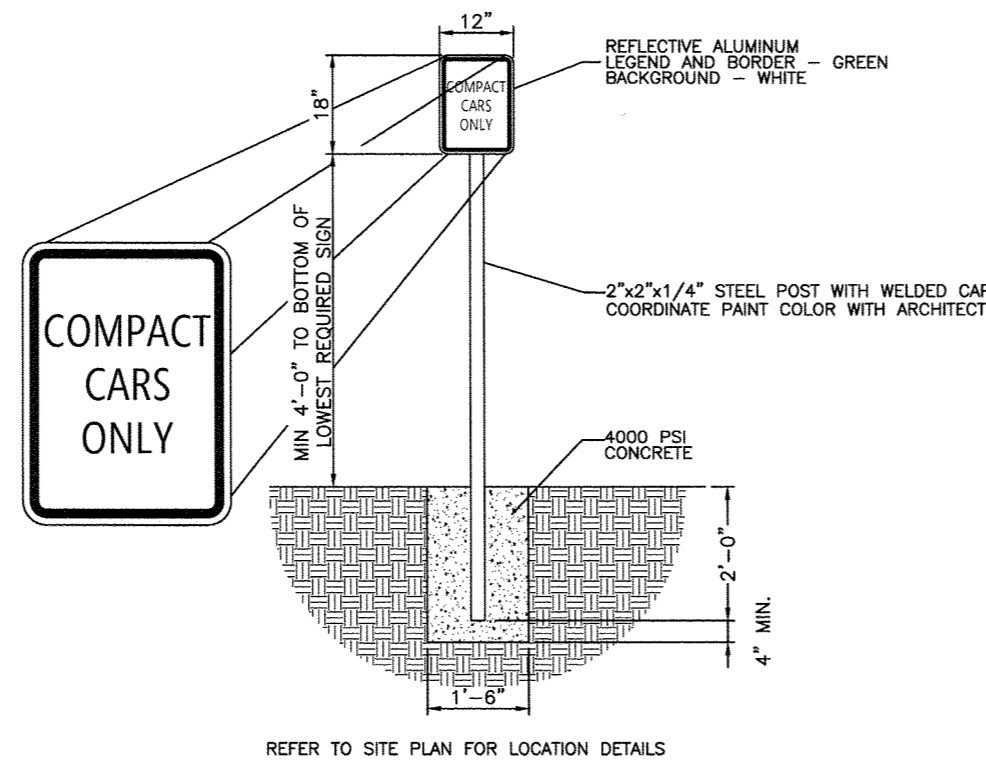
ACCESSIBLE PARKING PAVEMENT SYMBOL DETAIL
NTS

4
C806



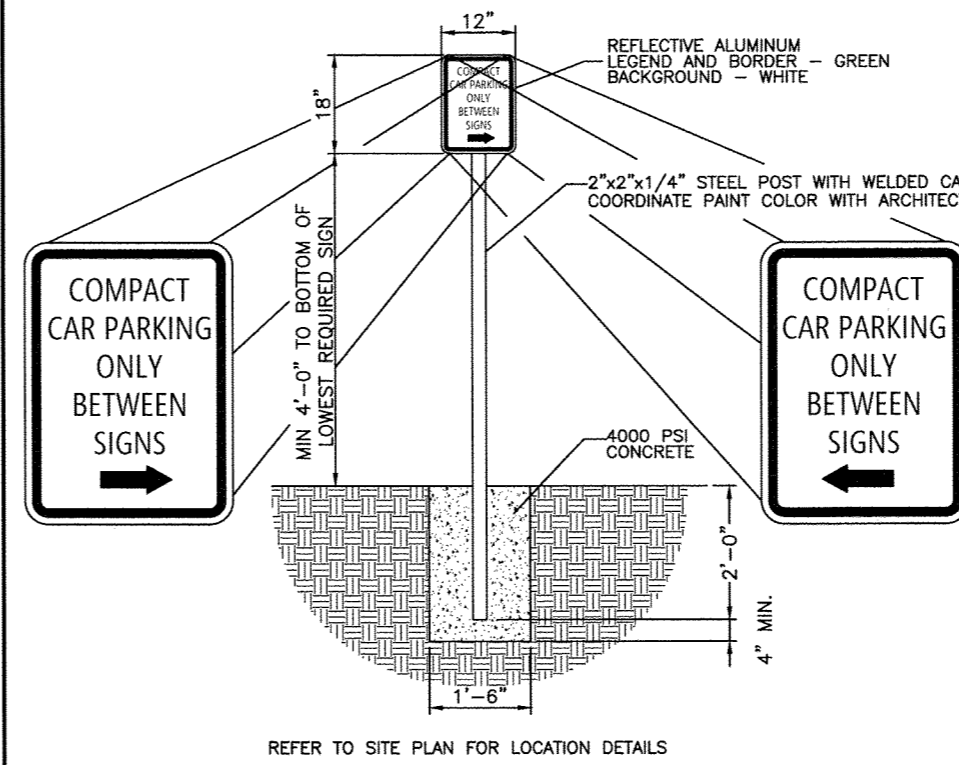
ACCESSIBLE PARKING SIGN
NTS

5
C806



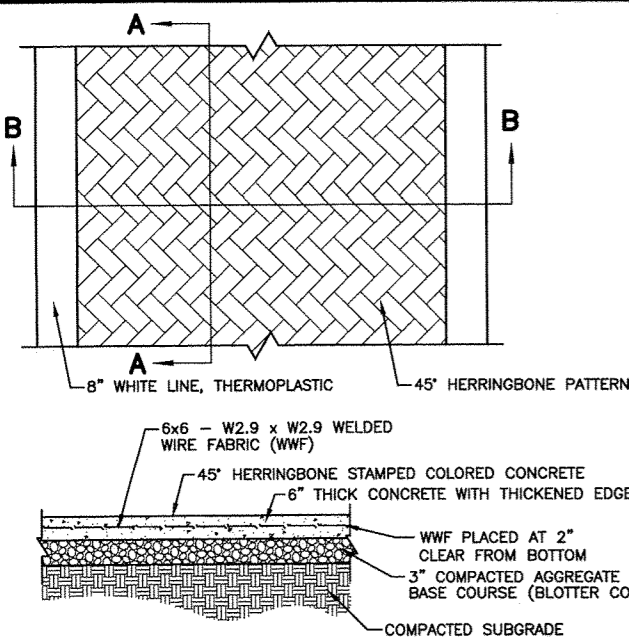
COMPACT CARS ONLY SIGN
NTS

6
C806



COMPACT CAR PARKING BETWEEN SIGN
NTS

7
C806

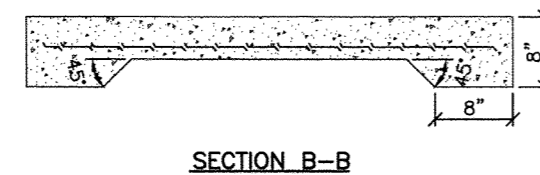


SECTION A-A

NOTES:
1.) CONTROL JOINTS 5'-0" O.C. MAX.
2.) EXPANSION JOINTS 20'-0" O.C. MAX.

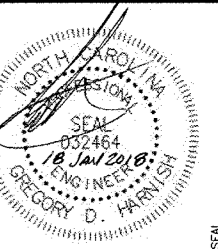
STAMPED CONCRETE CROSSWALK DETAIL
NTS

8
C806



SECTION B-B

NOTES:
1.) CONCRETE SHALL REACH 4,000 PSI COMPRESSIVE STRENGTH AT 28 DAYS.
2.) COLORANT SHALL BE APPROVED BY OWNER PRIOR TO POURING OF CONCRETE.
3.) AGGREGATE BASE COURSE SHALL BE COMPACTED TO 98% MAXIMUM DRY DENSITY.
4.) SUBGRADE SHALL BE COMPACTED TO 98% MAXIMUM DRY DENSITY. SUBGRADE SHALL HAVE A MINIMUM CBR OF 3.
5.) REFER TO HEAVY DUTY PAVEMENT SECTION FOR ADDITIONAL INFORMATION.



REVISION	DATE	No.

PROJECT No: 075356
DATE: 01/24/17
DES: JG
DR: JL
CKD: TR

11301 Carmel Commons Blvd.
Suite 300
Charlotte, NC 28226
704.525.6284
FAX: 704.525.8529



MORRISVILLE PROJECT #: 17-1100001 FILE #: 17-0001-S/C

SITE IMPROVEMENT PLANS
WATERWALK MORRISVILLE
1012 & 1016 LOWER SHILOH WAY
MORRISVILLE, NORTH CAROLINA

MISCELLANEOUS SITE DETAILS

SHEET NO. **C806**

Town of Morrisville
APPROVED FOR CONSTRUCTION

Signature: *John* Date: 5/23/18
Town of Morrisville, Town Engineer

Signature: *John* Date: 5/23/18
Town of Cary Utilities, Water and Sewer

Engineering: *5/31/18 RUP*
Planning: *5/15/18 JLF*
Other (specify): *5/17/18 JLB (S)*

Engineering Inspection Services must be contacted (919) 463-6907 at a minimum 24 hours prior to the commencement of any construction activities.