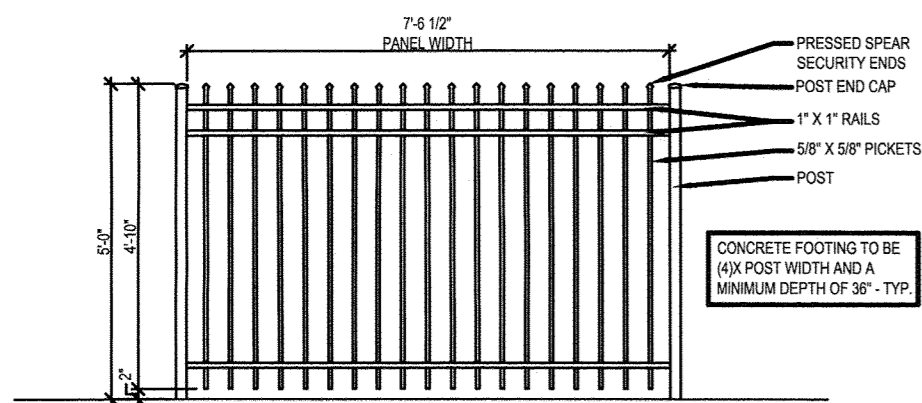
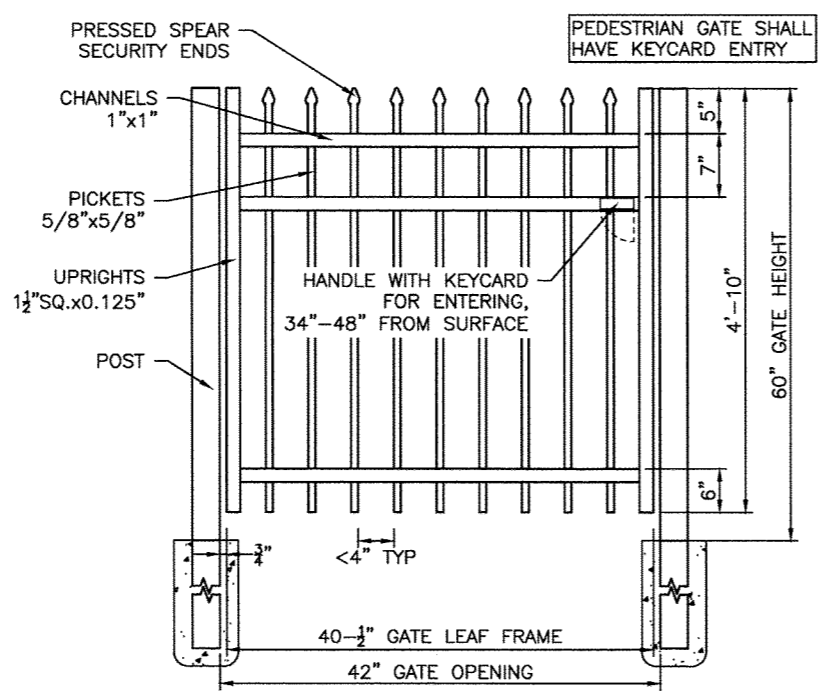


Last Saved By:ladzinski, 11/8/2017 4:45:00 PM
 G:\DE\Clients\WaterWalk\075356 Morrisville, NC\4.0 Disciplines\Civil\Cadd\075356-C600-DET.dwg Plotted By:ladzinski, Jake Plotted:January 17, 2018, 2:52:09 PM



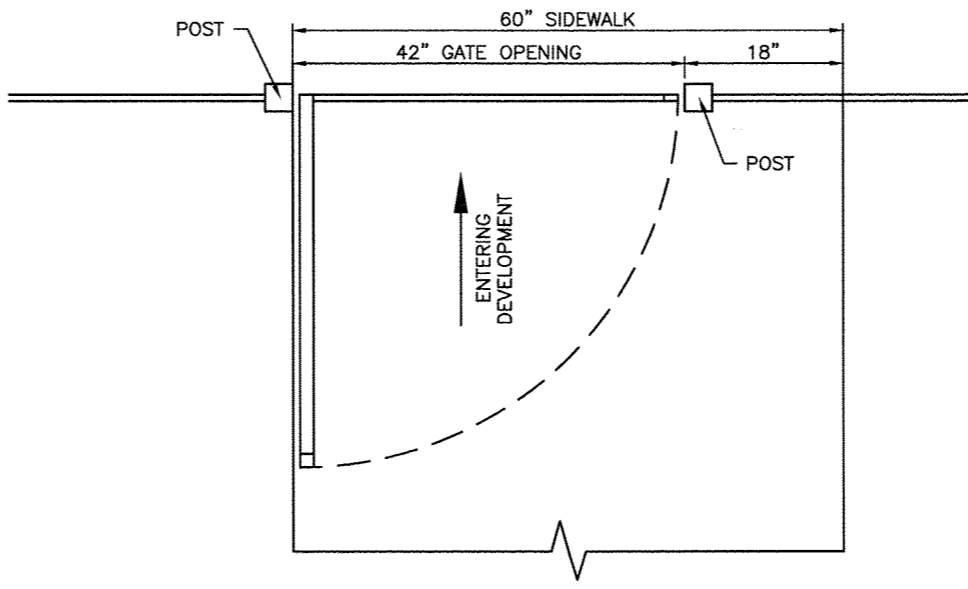
5' ORNAMENTAL ALUMINUM SECURITY FENCE DETAIL
NTS

1
C808



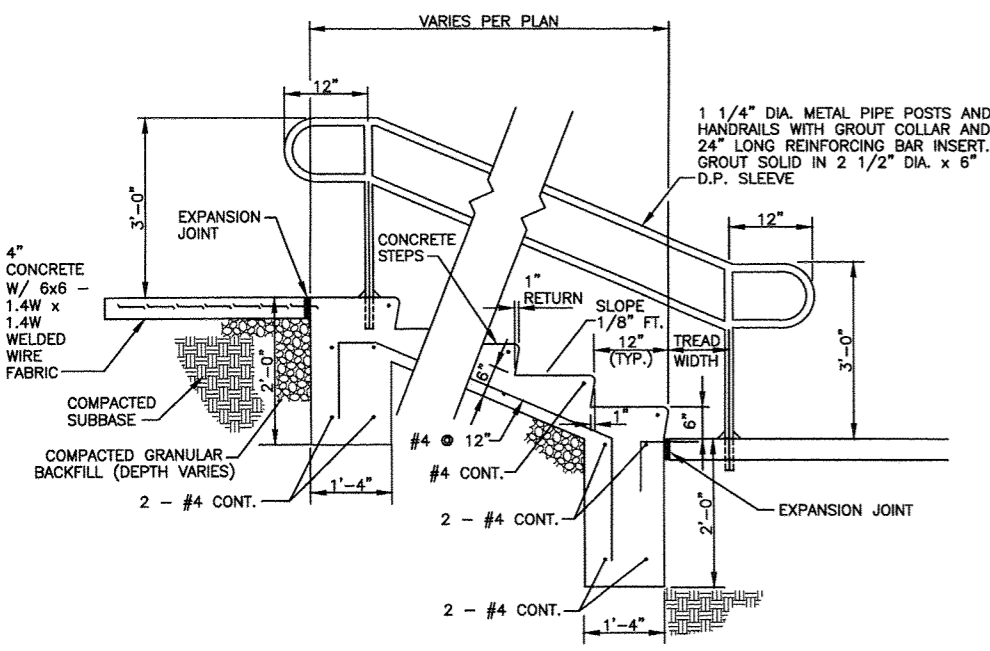
ORNAMENTAL ALUMINUM PEDESTRIAN GATE DETAIL
NTS

2
C808



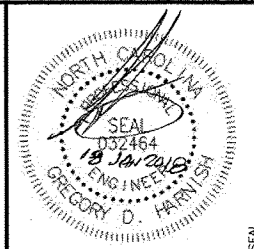
6' TALL SOLID BOARD ON BOARD SECURITY FENCE DETAIL
NTS

3
C808



CONCRETE STAIRS
NTS

4
C808



REVISION	DATE	No.

PROJECT No: 075356
 DATE: 01/24/17
 DES: JG
 DR: JL
 CKD: TR

11301 Carmel Commons Blvd.
 Suite 300
 Charlotte, NC 28226
 704.525.6284
 FAX: 704.525.8529



SITE IMPROVEMENT PLANS
WATERWALK MORRISVILLE
 1012 & 1016 LOWER SHILOH WAY
 MORRISVILLE, NORTH CAROLINA

PERIMETER DETAILS

MORRISVILLE PROJECT #: 17-11000001 FILE #: 17-0001-S/C

Town of Morrisville
APPROVED FOR CONSTRUCTION

Signature: *[Signature]* Date: 5/31/18
 Town of Morrisville, Town Engineer

Engineering: *[Signature]* Date: 5/31/18
 Planning: *[Signature]* Date: 5/31/18
 Other (specify): *[Signature]* Date: 5/31/18

Signature: *[Signature]* Date: 5/23/18
 Town of Cary Utilities, Water and Sewer

Engineering Inspection Services must be contacted (919) 463-6907 at a minimum 24 hours prior to the commencement of any construction activities.

SHEET NO.
C808