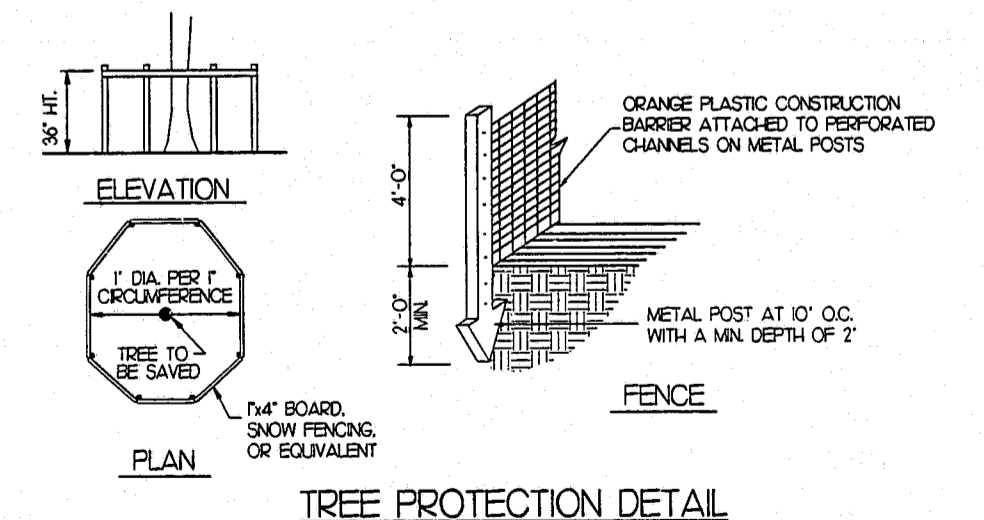
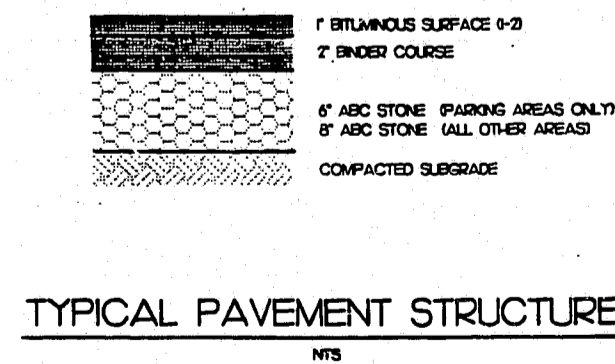
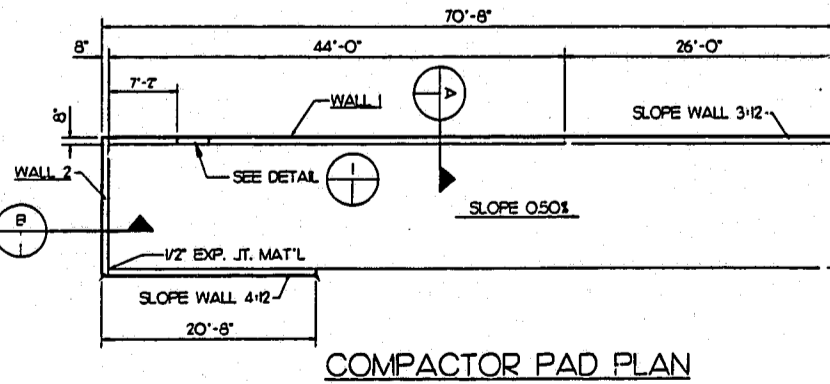
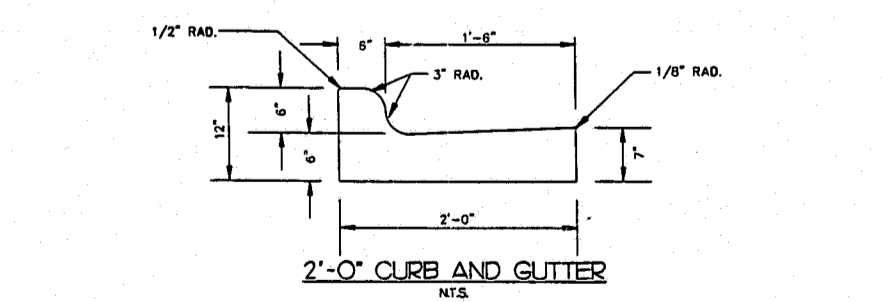
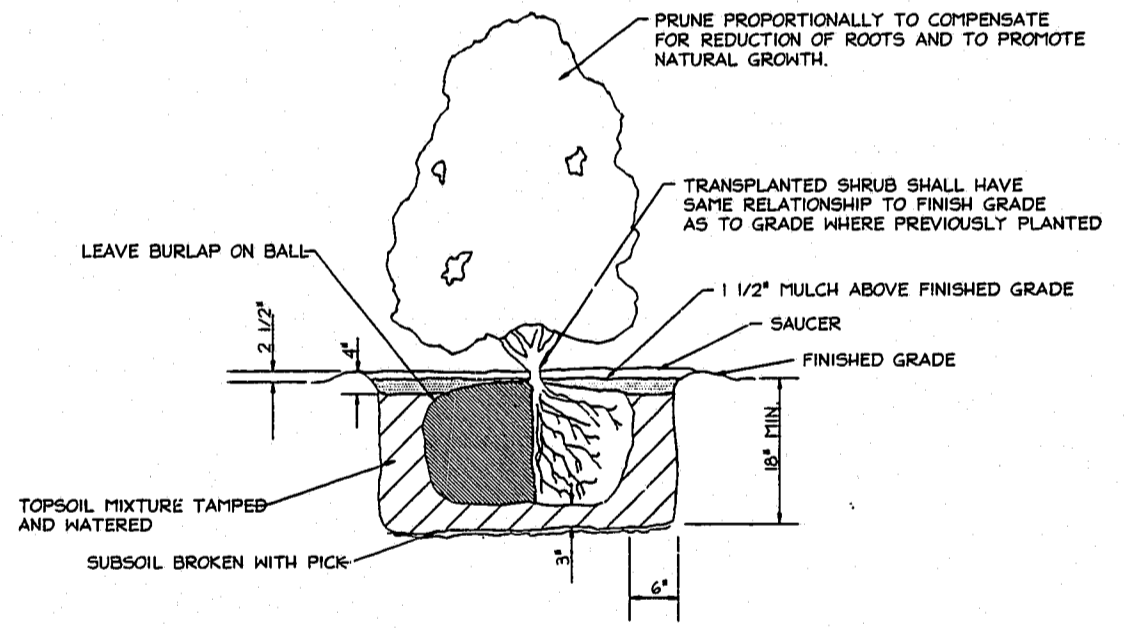
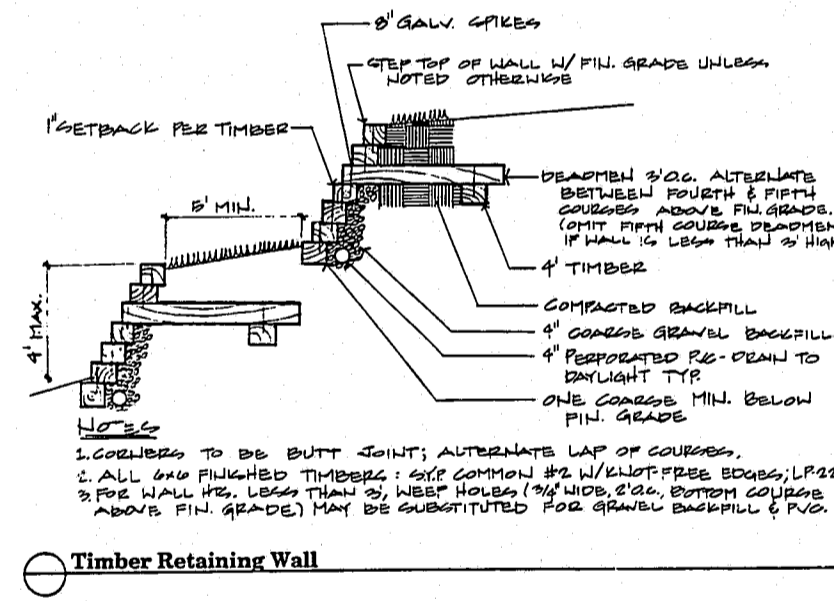
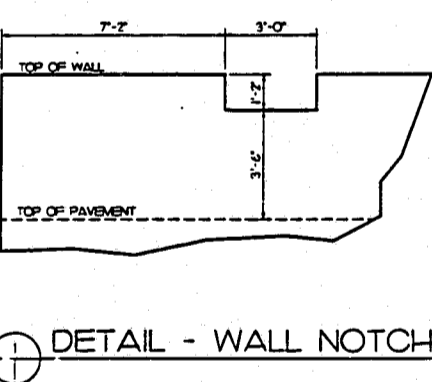
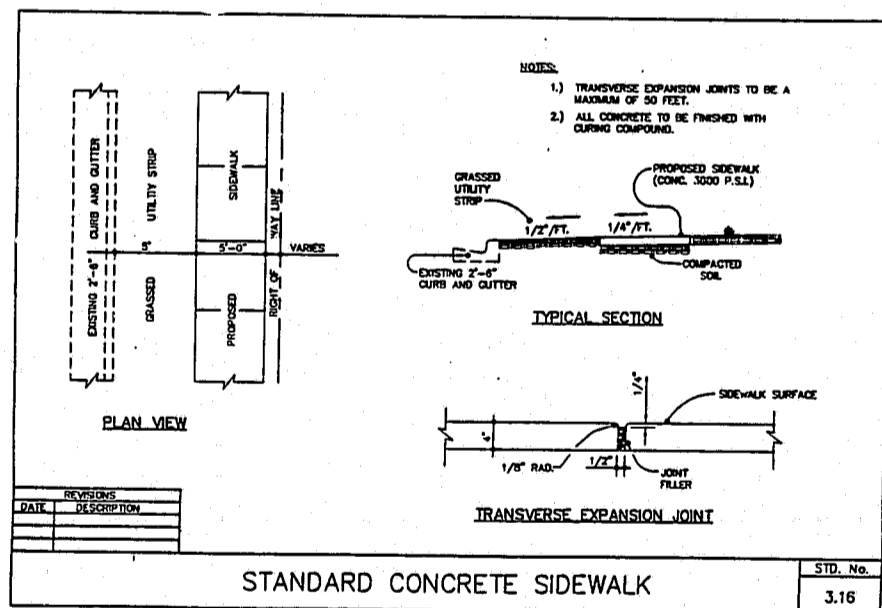


TREE PLANTING
NOT TO SCALE



REV. NO.	DESCRIPTION	DATE

DESIGNED: _____
DRAWN: _____
CHECKED: _____
PROJECT ENGR. _____

MCKIM & CREED
ENGINEERS • PLANNERS • SURVEYORS
WILMINGTON, NORTH CAROLINA RALEIGH, NORTH CAROLINA
SMITHFIELD, NORTH CAROLINA

WATERFORD FOREST APARTMENTS
CARY, NC

SITE DETAILS

DATE: 6 JAN 1995
MCE PROJ. # 0976-0007
DWG FILE # 568F4DET

SCALE:
HORIZONTAL: NOTED
VERTICAL: NOTED

SHEET NO. **24**
OF 27