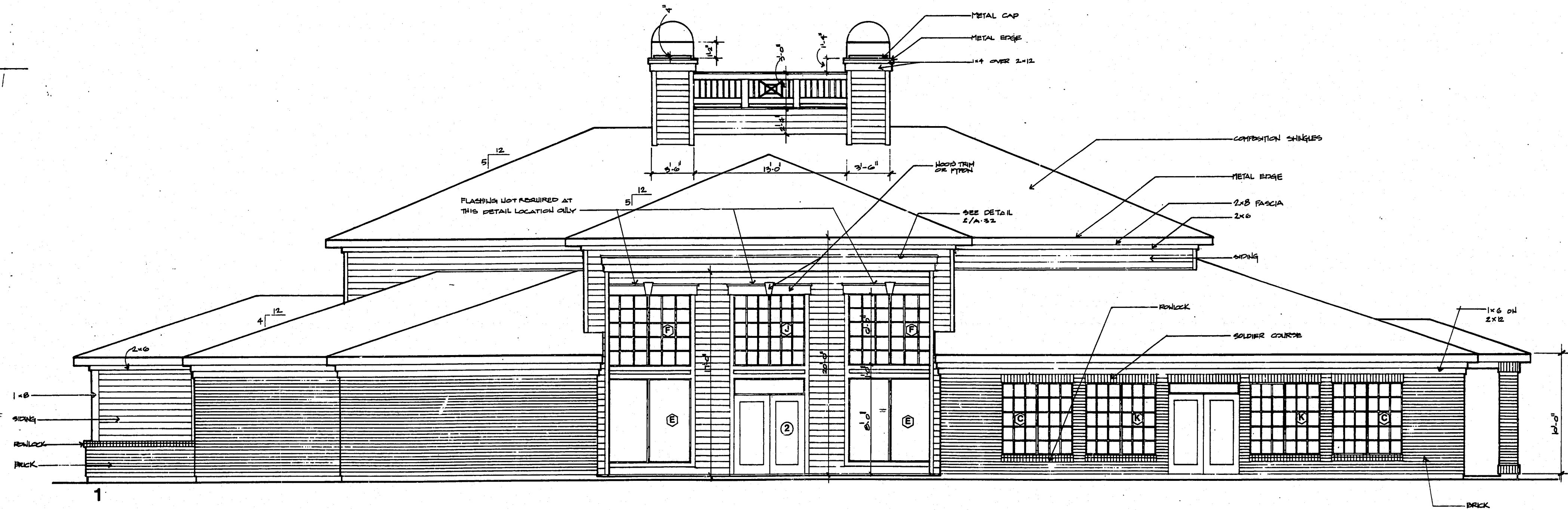
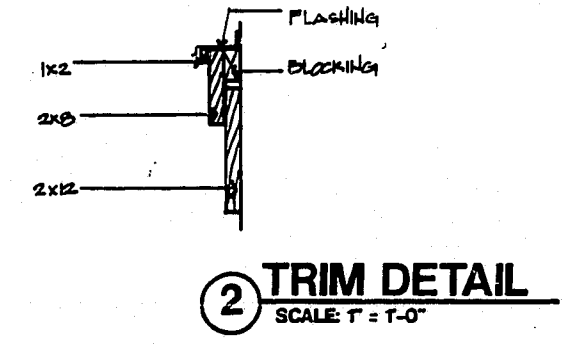


PROJECT NO.	94-39
DATE DRAWN	
BY DATE	
CONTR. NO.	
REVISIONS	

WATERFORD AT HIGH HOUSE  
APARTMENTS  
CARY, NORTH CAROLINA

WALLACE + ASSOCIATES, A.I.A.  
ARCHITECTS & PLANNERS  
8000 BEBING DRIVE SUITE 810 HOUSTON, TEXAS 77067 713-668-8878

A2



OFFICE/CLUB ELEVATION