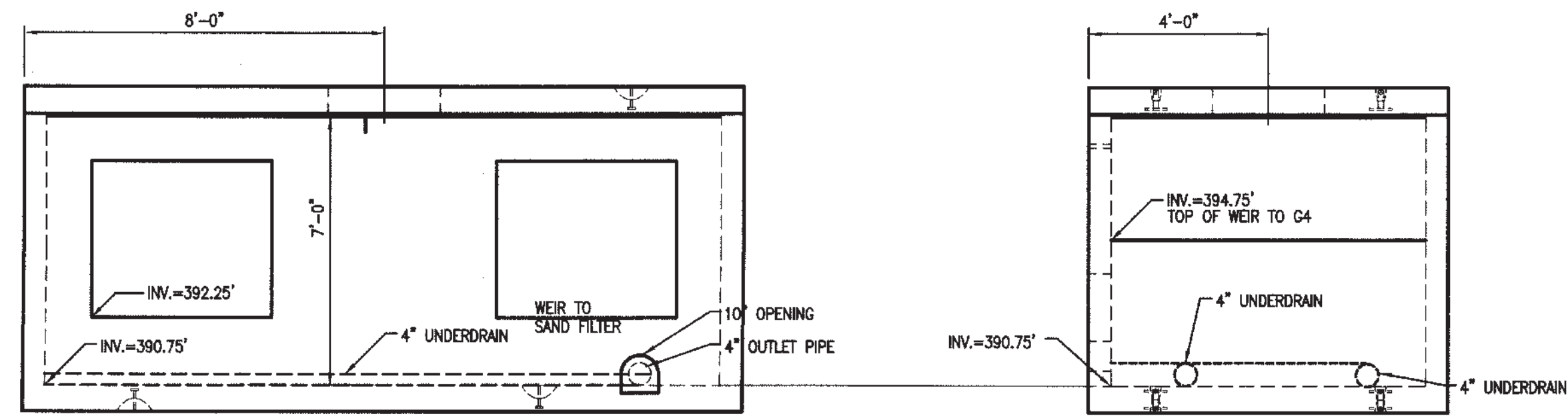


G1 MODULE

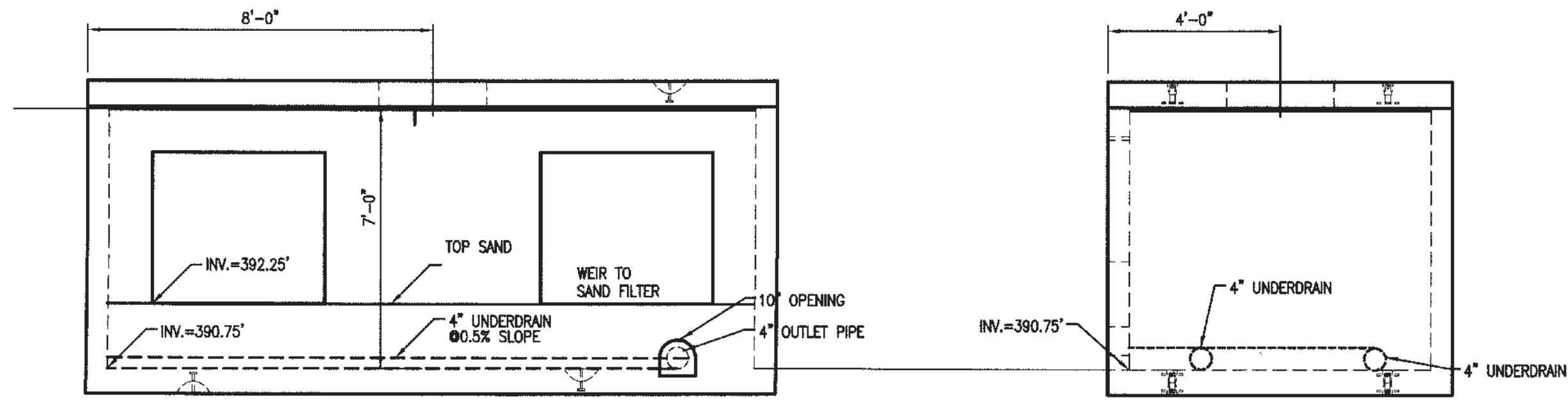
G1 MODULE  
SCALE: NTS

G1 MODULE



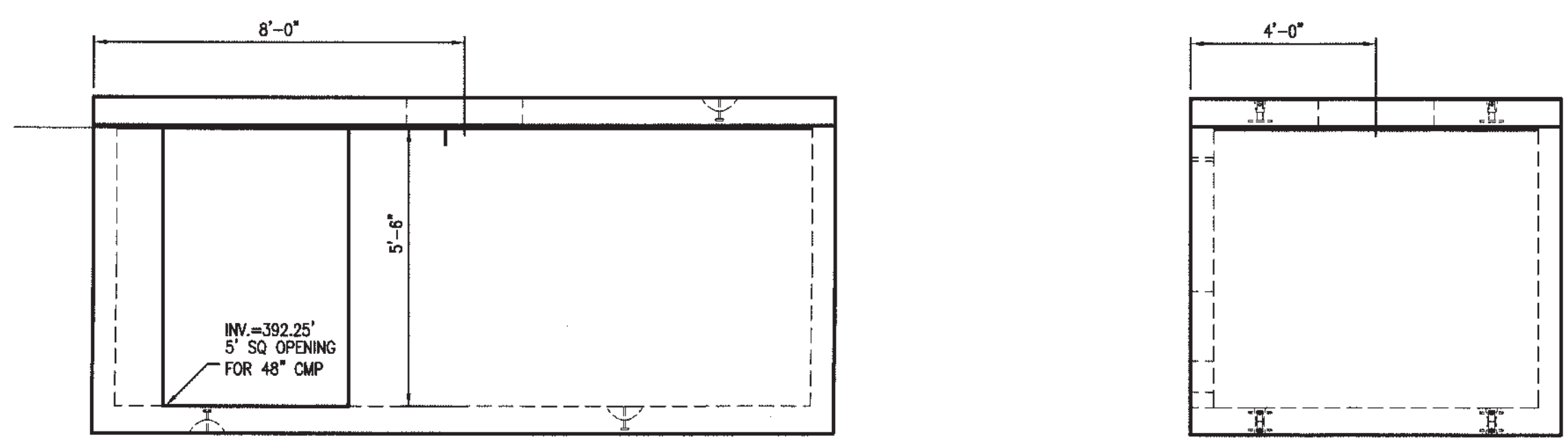
G2 MODULE

G2 MODULE



G3 MODULE

G3 MODULE



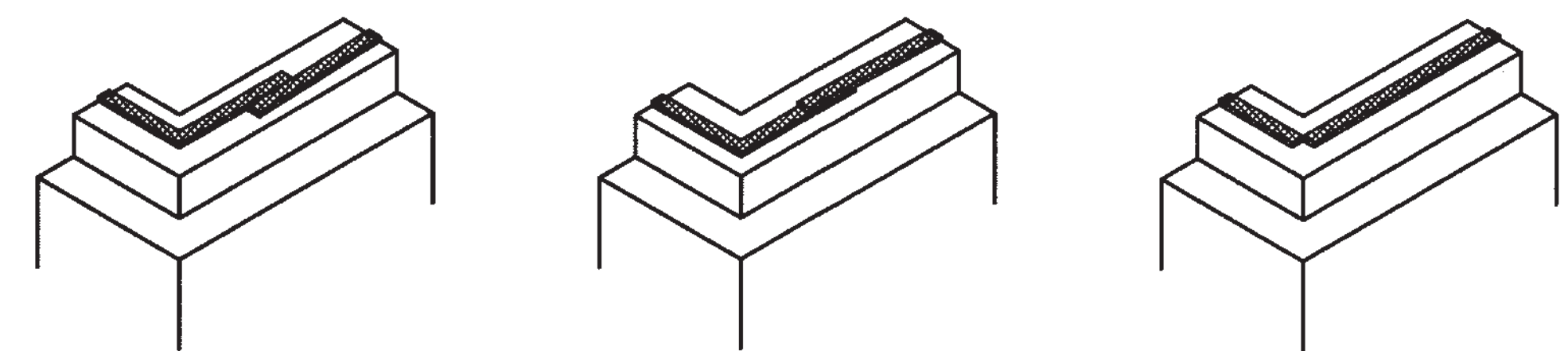
G4 MODULE

G4 MODULE

THE MEDIA IN THE SAND FILTER SHALL BE CLEANED, WASHED, COURSE MASONRY SAND SUCH AS ASTM C33. THE SAND PARTICLES SHALL BE LESS THAN 2 MM AVERAGE DIAMETER. THE FILTER BED SHALL HAVE A MINIMUM DEPTH OF 18 INCHES, WITH A MINIMUM DEPTH OF SAND ABOVE THE DRAINAGE PIPE OF 12 INCHES.

MODULE NOTES					
TYPE	QUANTITY	HEIGHT	PIPE INVERT	MH ACCESS	RIM ELEV.
G4	1	5'-6"			
G1/G2/G3	3	7'			
TOTAL	4				
VOL. IN STORM CAPTURE			CF		
APPROX. JOINT WRAP			FT		
APPROX. BUTYL ROPE			FT		

KEYWAYS MUST BE FREE OF DIRT, ROCKS, AND WATER. ROCKS AND DIRT PREVENT THE VAULT SECTIONS FROM SEATING AND SEALING PROPERLY. REMOVE ALL PROTECTIVE PAPER FROM RUBBER SEALANT MATERIAL. SPLICE RUBBER SEALANT MATERIAL WITH A "SIDE BY SIDE" JOINT, AWAY FROM CORNERS. CORNER SPLICING WILL NOT SEAL PROPERLY.



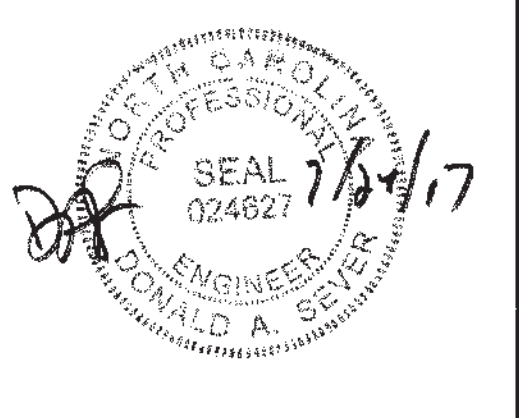
**CORRECT** - INSTALL RUBBER SEALANT MATERIAL AT THE OUTER EDGE OF THE KEYWAY. RUBBER SEALANT SHOULD BE CONTINUOUS AROUND CORNERS.

**INCORRECT** - DO NOT OVERLAP THE RUBBER SEALANT MATERIAL AT SPLICE.

**INCORRECT** - DO NOT SPLICE RUBBER SEALANT MATERIAL AT A CORNER. RUBBER SEALANT SHOULD BE CONTINUOUS AROUND CORNERS.

CONSEAL CS-102 BUTYL RUBBER SEALANT  
 PLACEMENT DETAIL  
 NTS

NO.	DATE	REVISION
1	7/17/17	REVISED PER TOC REVIEW 11/28/16
2	6/8/17	REVISED PER TOC REVIEW 3/20/17
3	6/8/17	REVISED PER TOC REVIEW 5/30/17
4	7/24/17	FINAL SET



**BMP PLAN**  
 FOR  
**WEATHERSTONE SPRINGS**  
 SITUATED AT  
**500 WEATHER RIDGE LANE**  
 WAKE COUNTY, NORTH CAROLINA

JOB # 5500.05  
 DSN/CHK BY: DS  
 DWN BY: BH  
 DATE: 6/2/16  
 HRZ SCALE: 1"=30'  
 VRT SCALE: NONE

SHEET NO.  
**7**

APPROVED by the Town of Cary  
 Development Review Committee

APPR DEVELO PLANNER

16-SP-081  
 17-0443  
 By: kahales  
 09/01/2017

EE