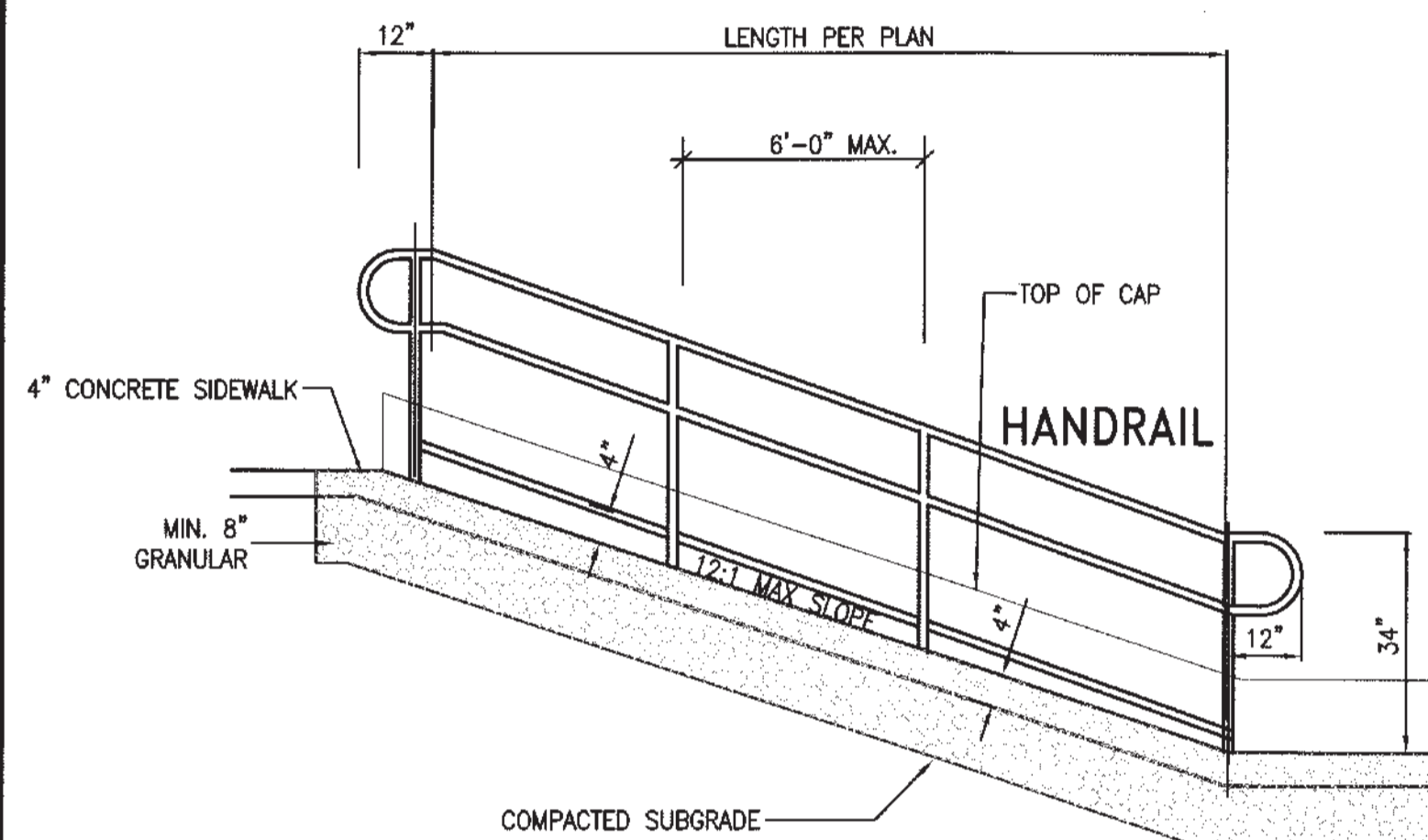


NOTE:
TACTILE WARNING SHALL CONSIST OF RAISED TRUNCATED DOMES WITH A DIA. OF NOMINAL 0.9", A HEIGHT OF NOMINAL 0.2", & A CENTER TO CENTER SPACING OF NOMINAL 2.35" & SHALL CONTRAST VISUALLY W/ ADJOINING SURFACES.

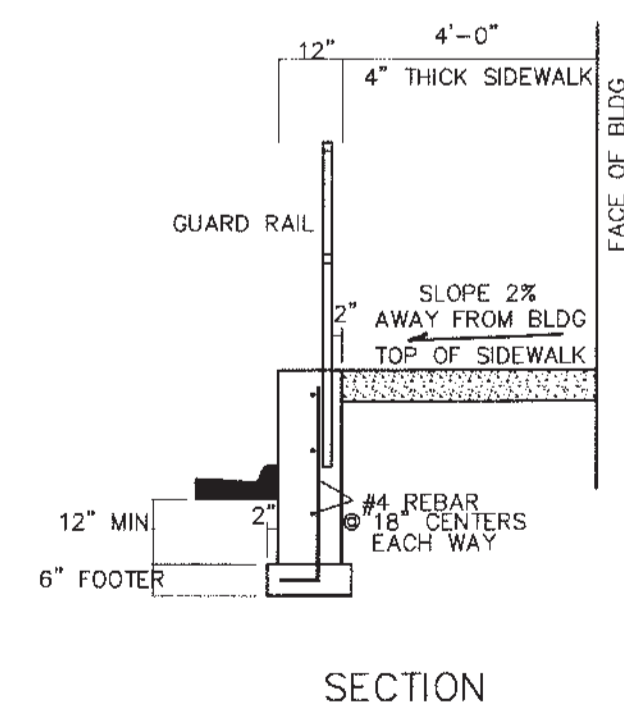
HANDICAP INSET CURB RAMP (SIDE)



NOTES:
1. INSTALLATION TO BE COMPLETED IN ACCORDANCE WITH MANUFACTURER'S SPECIFICATIONS.
2. SURFACE TO BE BROOM FINISHED.

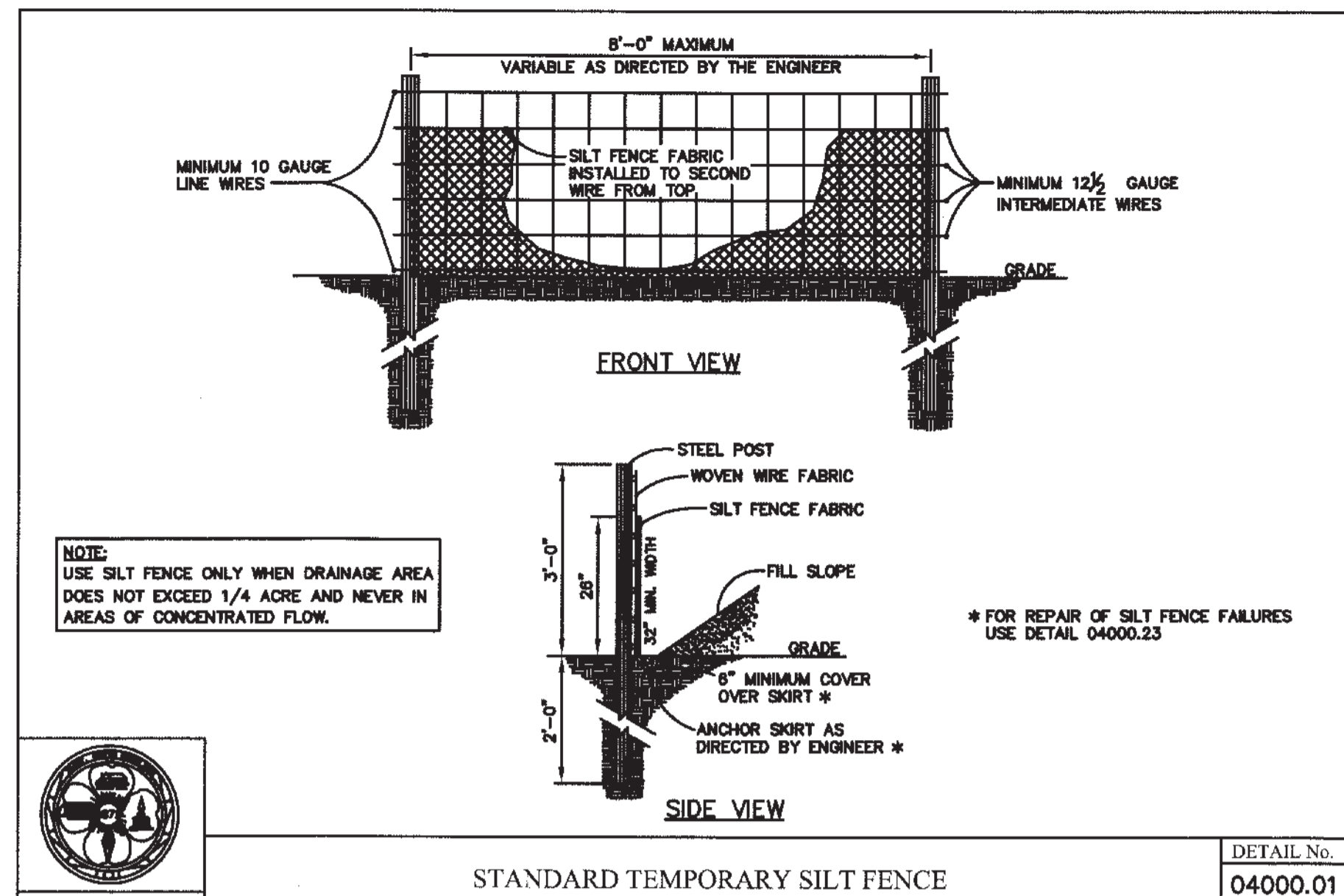
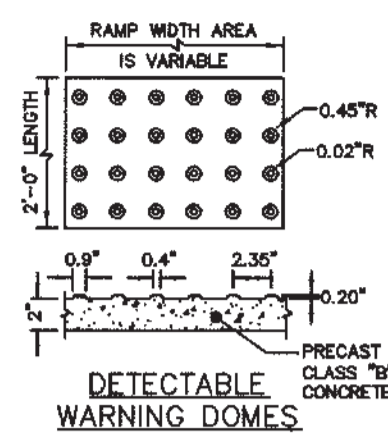
HANDICAP RAMP PROFILE

WITH METAL HANDRAIL
N.T.S.



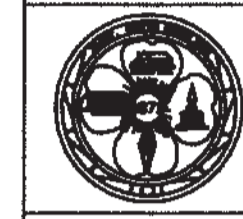
GENERAL NOTES:
1. ALL CONCRETE TO BE 3000 P.S.I. COMPRESSIVE STRENGTH.
2. AFTER INSTALLATION PAINT ASSEMBLY WITH BLACK ALL WEATHER ENAMEL.

GUARD RAIL / SIDEWALK DETAIL



NOTE:
USE SILT FENCE ONLY WHEN DRAINAGE AREA DOES NOT EXCEED 1/4 ACRE AND NEVER IN AREAS OF CONCENTRATED FLOW.

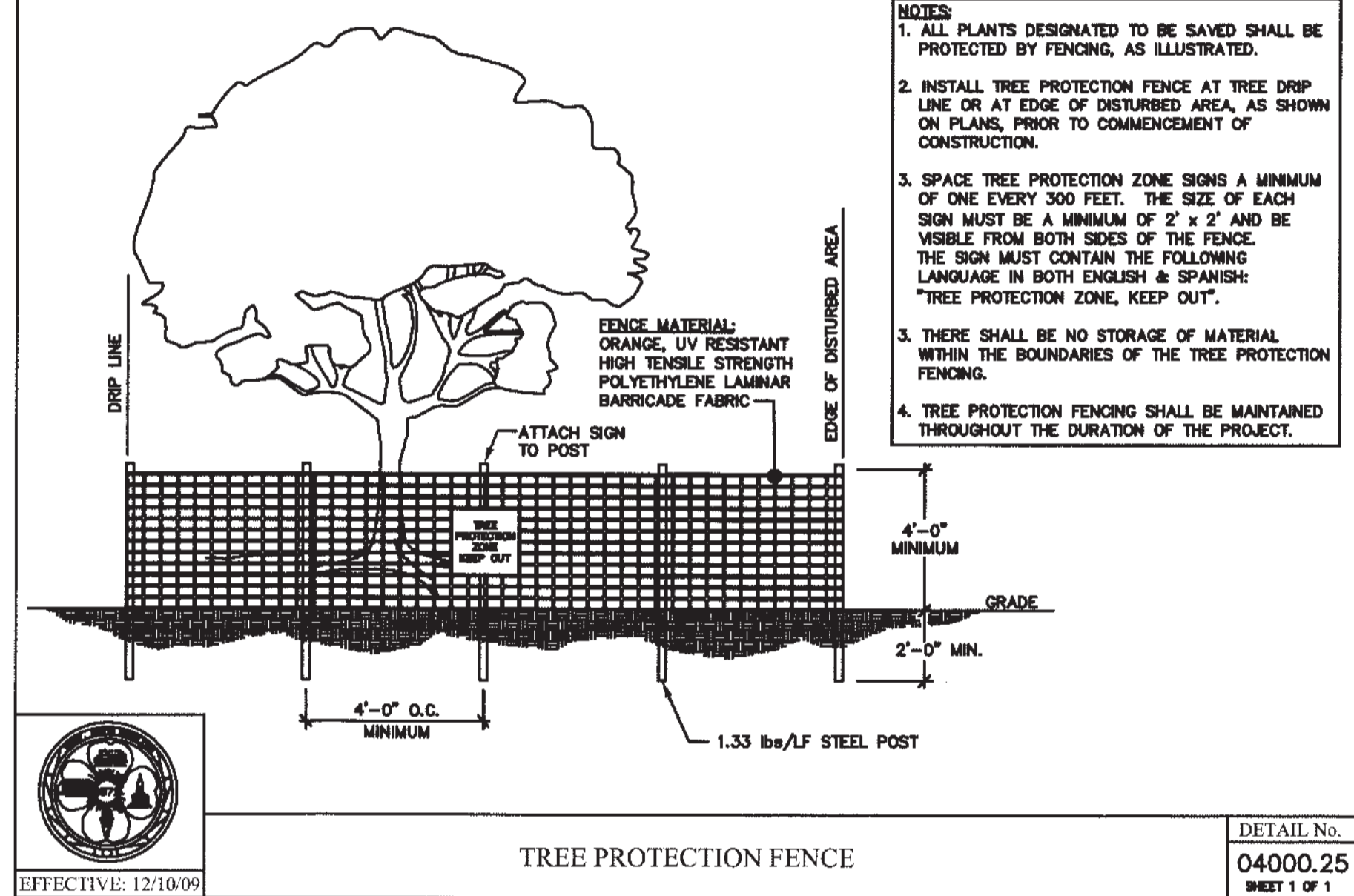
* FOR REPAIR OF SILT FENCE FAILURES USE DETAIL 04000.23



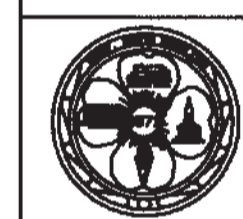
STANDARD TEMPORARY SILT FENCE

DETAIL No. 04000.01
SHEET 1 OF 1

EFFECTIVE: 12/10/09



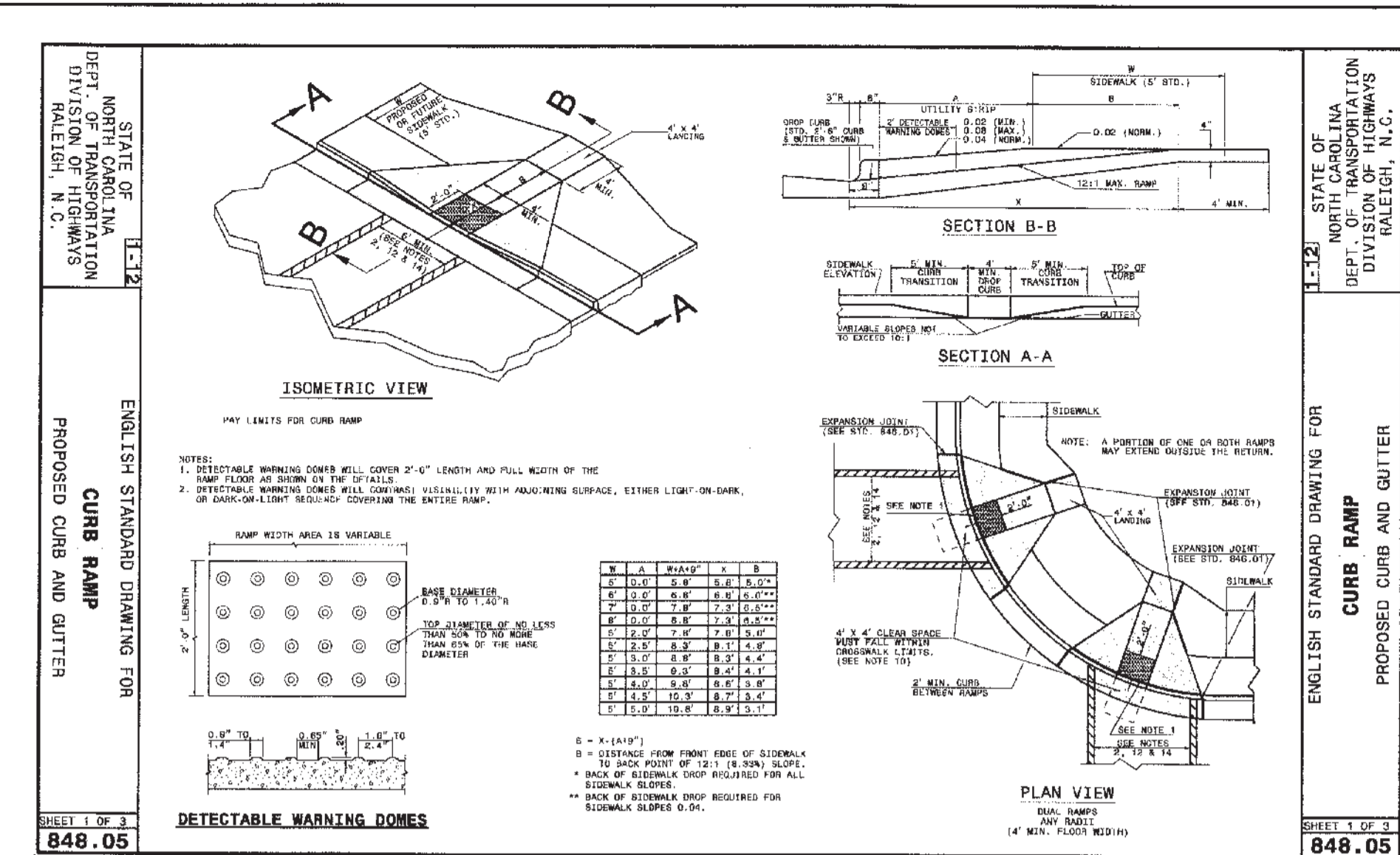
NOTES:
1. ALL PLANTS DESIGNATED TO BE SAVED SHALL BE PROTECTED BY FENCING, AS ILLUSTRATED.
2. INSTALL TREE PROTECTION FENCE AT TREE DRIP LINE OR AT EDGE OF DISTURBED AREA, AS SHOWN ON PLANS, PRIOR TO COMMENCEMENT OF CONSTRUCTION.
3. SPACE TREE PROTECTION ZONE SIGNS A MINIMUM OF ONE EVERY 300 FEET. THE SIZE OF EACH SIGN MUST BE A MINIMUM OF 2' x 2' AND BE VISIBLE FROM BOTH SIDES OF THE FENCE. THE SIGN MUST CONTAIN THE FOLLOWING LANGUAGE IN BOTH ENGLISH & SPANISH: "TREE PROTECTION ZONE, KEEP OUT".
3. THERE SHALL BE NO STORAGE OF MATERIAL WITHIN THE BOUNDARIES OF THE TREE PROTECTION FENCING.
4. TREE PROTECTION FENCING SHALL BE MAINTAINED THROUGHOUT THE DURATION OF THE PROJECT.



TREE PROTECTION FENCE

DETAIL No. 04000.25
SHEET 1 OF 1

EFFECTIVE: 12/10/09



STATE OF NORTH CAROLINA
DEPT. OF TRANSPORTATION
RALEIGH, N.C.

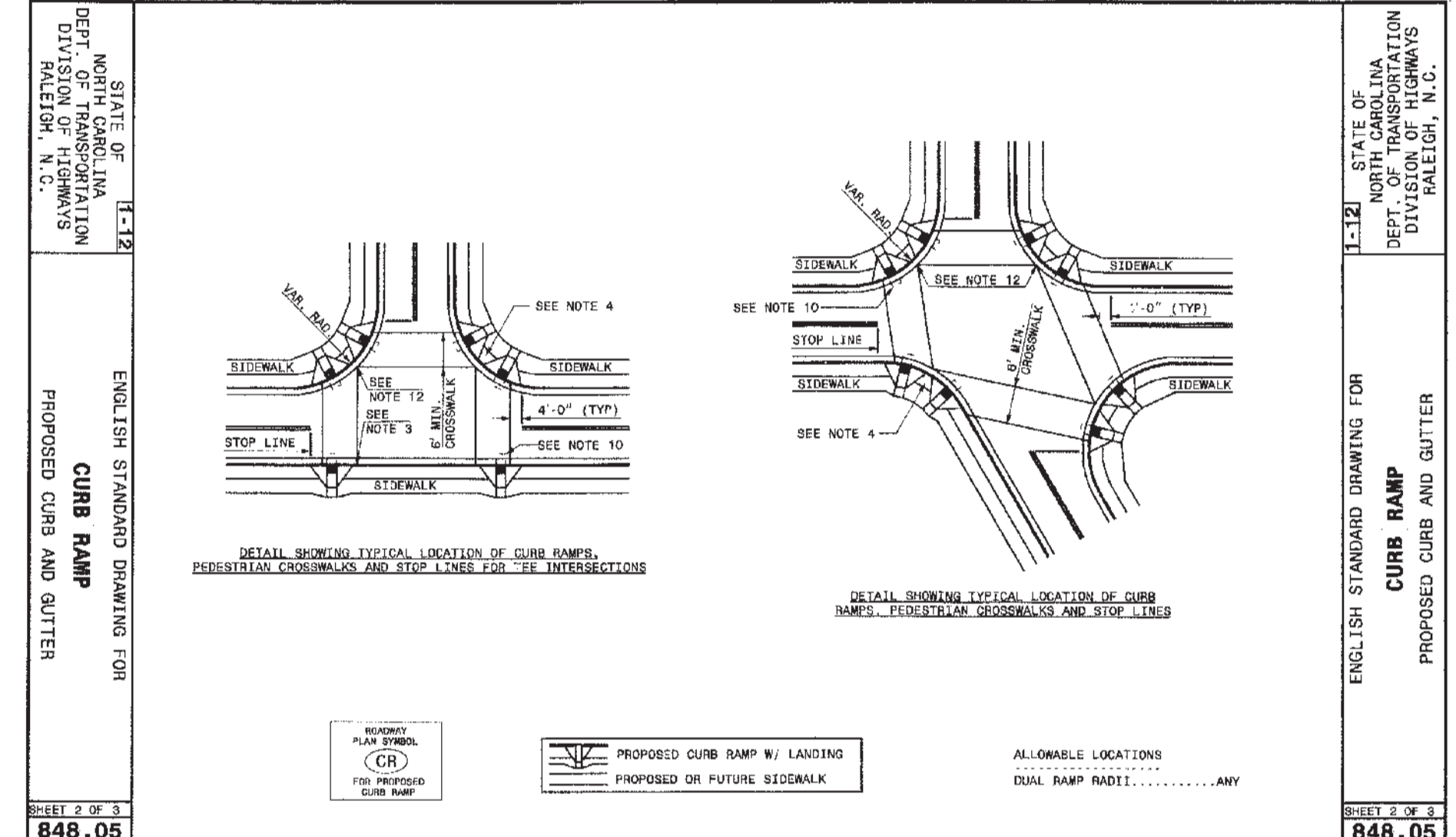
ENGLISH STANDARD DRAWING FOR
CURB RAMP
PROPOSED CURB AND GUTTER

STATE OF NORTH CAROLINA
DEPT. OF TRANSPORTATION
RALEIGH, N.C.

ENGLISH STANDARD DRAWING FOR
CURB RAMP
PROPOSED CURB AND GUTTER

SHEET 1 OF 3
848.05

SHEET 1 OF 3
848.05



STATE OF NORTH CAROLINA
DEPT. OF TRANSPORTATION
RALEIGH, N.C.

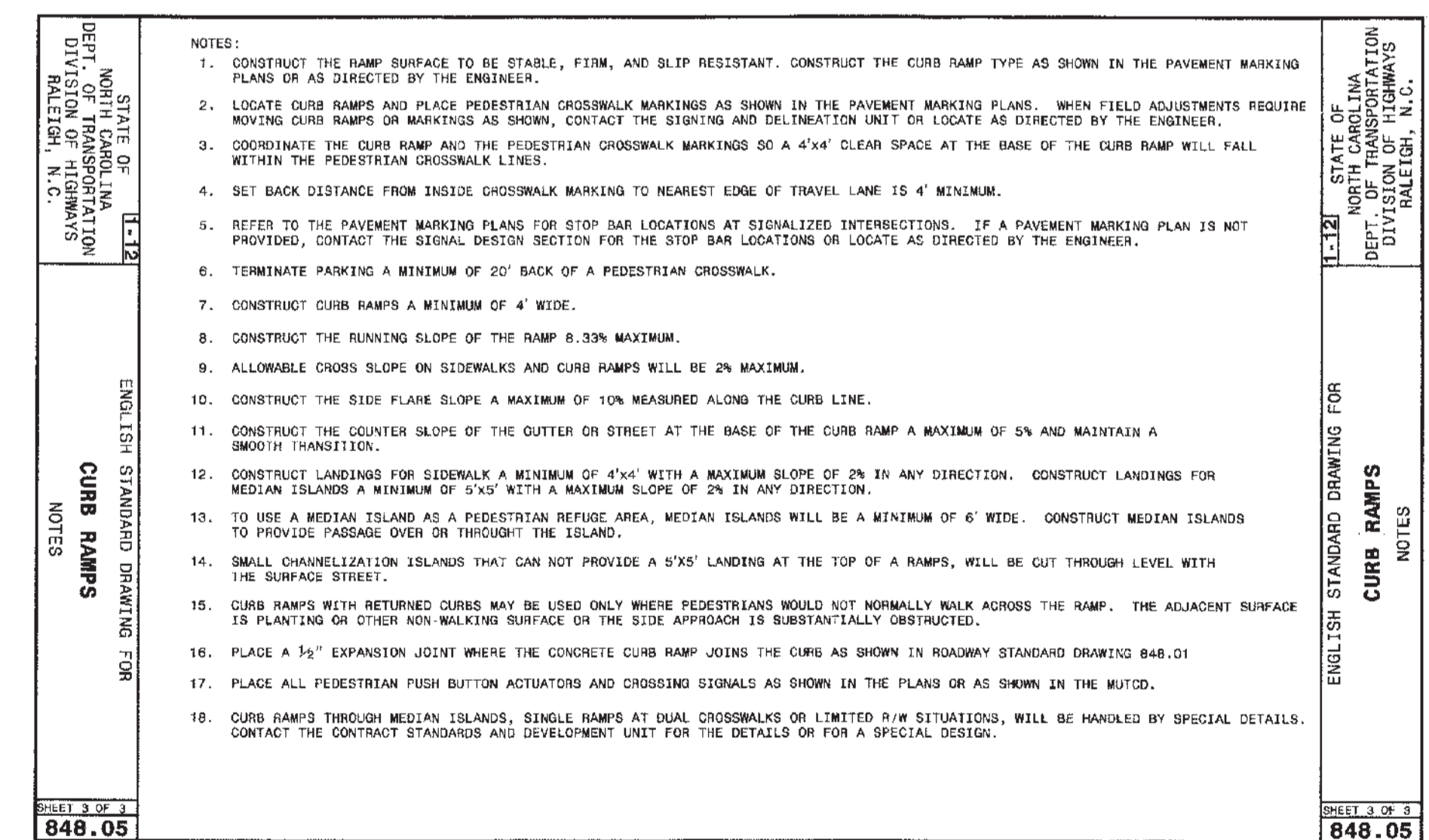
ENGLISH STANDARD DRAWING FOR
CURB RAMP
PROPOSED CURB AND GUTTER

STATE OF NORTH CAROLINA
DEPT. OF TRANSPORTATION
RALEIGH, N.C.

ENGLISH STANDARD DRAWING FOR
CURB RAMP
PROPOSED CURB AND GUTTER

SHEET 2 OF 3
848.05

SHEET 2 OF 3
848.05



STATE OF NORTH CAROLINA
DEPT. OF TRANSPORTATION
RALEIGH, N.C.

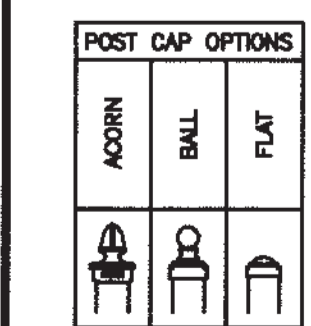
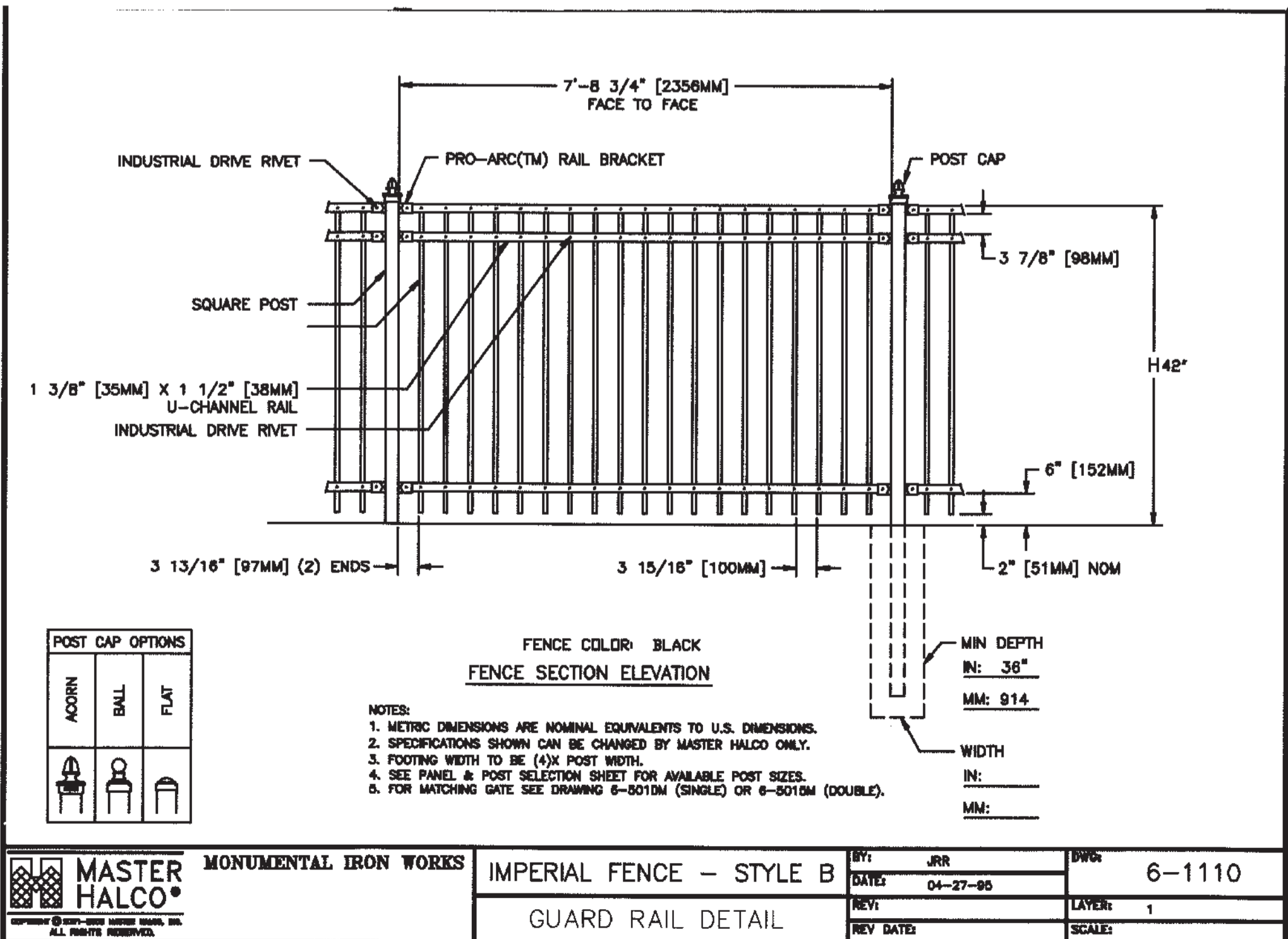
ENGLISH STANDARD DRAWING FOR
CURB RAMPS
NOTES

STATE OF NORTH CAROLINA
DEPT. OF TRANSPORTATION
RALEIGH, N.C.

ENGLISH STANDARD DRAWING FOR
CURB RAMPS
NOTES

SHEET 3 OF 3
848.05

SHEET 3 OF 3
848.05



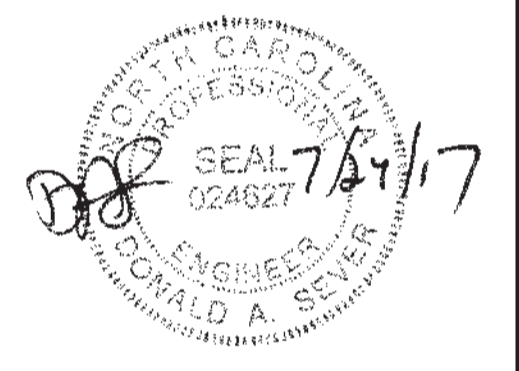
NOTES:
1. METRIC DIMENSIONS ARE NOMINAL EQUIVALENTS TO U.S. DIMENSIONS.
2. SPECIFICATIONS SHOWN CAN BE CHANGED BY MASTER HALCO ONLY.
3. FOOTING WIDTH TO BE (4)X POST WIDTH.
4. SEE PANEL & POST SELECTION SHEET FOR AVAILABLE POST SIZES.
5. FOR MATCHING GATE SEE DRAWING 6-501M (SINGLE) OR 6-501M (DOUBLE).



MONUMENTAL IRON WORKS
IMPERIAL FENCE - STYLE B
GUARD RAIL DETAIL
BY: JRR
DATE: 04-27-90
DWG: 6-1110
REV: 1
SCALE: 1

Hugh J. Gilleece and Associates
875 Walnut Street
Suite 360
Cary, NC 27511
BUSINESS LIC. # C-496
Phone: (919)469-1101

NO.	DATE	REVISION	BY	CHK
1	5/17/17	REVISED PER TOC	DS	DS
2	6/27/17	REVISED PER TOC	DS	DS
3	7/24/17	REVISED PER TOC	DS	DS
4	7/24/17	FINAL SET	DS	DS



CIVIL DETAILS
FOR
WEATHERSTONE SPRINGS PH 2
SITUATED AT
WEATHERIDGE LANE
CARY
WAKE COUNTY, NORTH CAROLINA

JOB # 5500.05
DSN/CHK BY: DS
DWN BY: BH
DATE: 10/27/16
HRZ SCALE: 1=30'
VRT SCALE: NONE

SHEET NO. 8

APPROVED by the Town of Cary
Development Review Committee
16-SP-081
17-0443
By: kahales
09/01/2017
APP DEVEL PLANNER
Y TEE