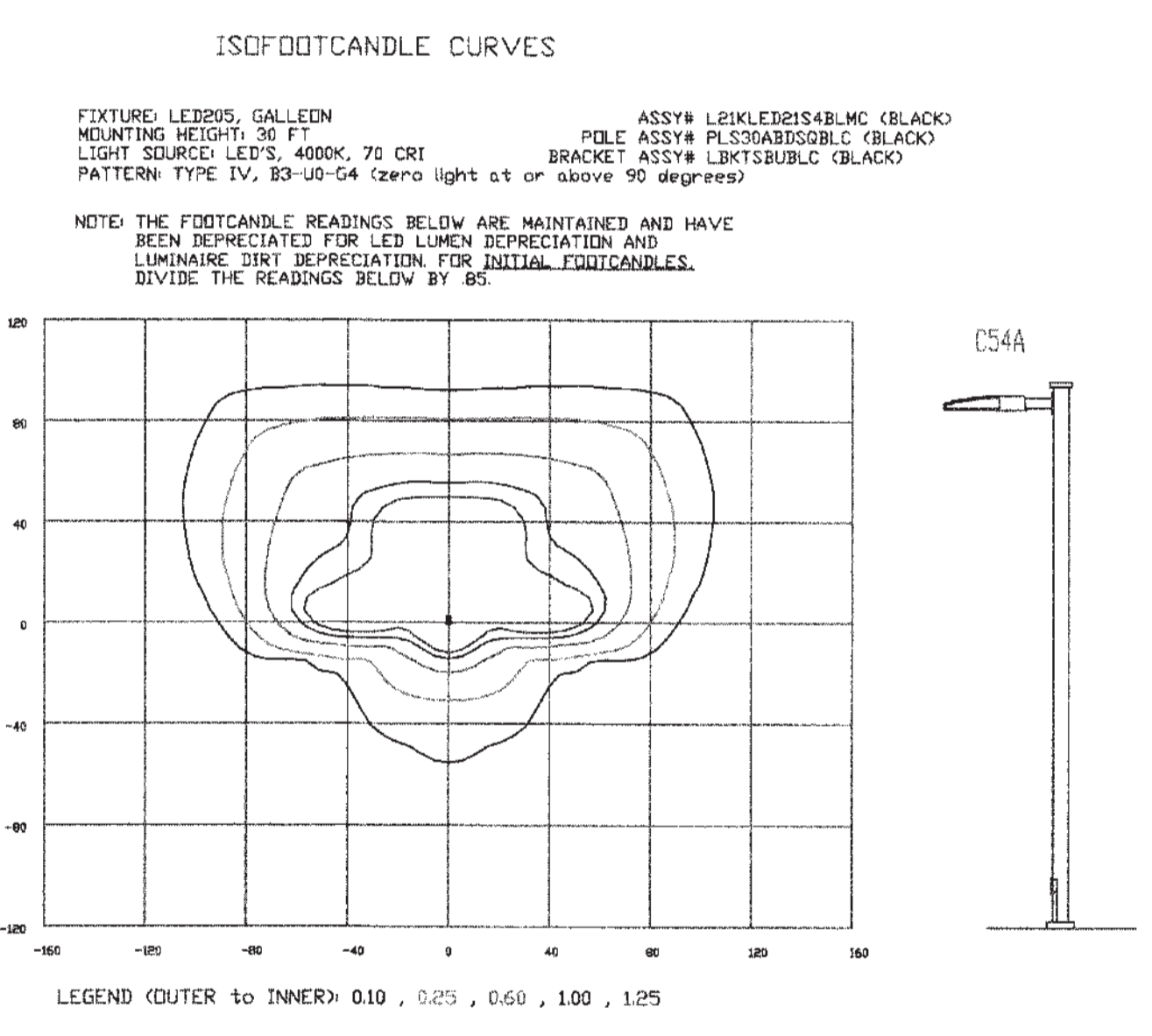


**EXISTING POLES**



**NEW POLES (4 TOTAL)**

**CALCULATION SUMMARY**

AREA NAME	DIMENSIONS	GRID / TYPE	# PTS	SPAC	TGROUP	AVG	MAX	MIN	MAX/MIN	AVE/MIN
Parking Lots	573.70x767.00 FT	Parking	618	10.00	(*)	0.22	5.96	0.58	10.31	3.85
		Easement	185	10.00	(*)	1.63	4.57	0.69	9.14	3.38
		Property Line	493	10.00	(*)	0.19	1.68	0.00	N/A	N/A

**Weatherstone Springs (02-0066) LUMINAIRE SCHEDULE**

TYPE	SYMBOL	DESCRIPTION	LAMP	LUMENS	MOUNTING/BALLAST	LLF	DTY
CS4A	⊙	CS4A LIGHTING CP205_4 L/POLE (64)	(64)	21552	SCREW IN	0.75	4
S40A	⊙	CE S40A L/POLE (1) S40C SB MH40_1-4/POLE EXISTING FIXTURES	(1) MS-400/HER	39000	30 FT MH 39000 LUMEN MH	0.66	14

**APPROVED by the Town of Cary Development Review Committee**

16-SP-081  
17-0443  
By: kahales  
09/01/2017

RY  
TTEE

API  
DEVE  
PLANN

**LIGHTING DESIGN TOLERANCE**

The calculated footcandle light levels in this lighting design are predicted values and are based on specific information that has been supplied to Duke Energy Progress. Any inaccuracies in the supplied information, differences in luminaire installation, lighted area geometry including elevation differences, reflective properties of surrounding surfaces, obstructions (foliage or otherwise) in the lighted area, or lighting from sources other than listed in this design may produce different results from the predicted values. Normal tolerances of voltage, lamp output, and ballast and luminaire manufacture will also affect results.

Customer approval \_\_\_\_\_ Date \_\_\_\_\_



**PROPRIETARY & CONFIDENTIAL**

This document together with the concepts and designs presented herein, presented as an instrument of service, is the sole property of Duke Energy Progress, and is intended only for the specific purpose and prospective client as stated in the title block of this drawing. Any use, copying, reproduction or disclosure of the drawing, design or any information contained herein by the prospective customer or other entities, including without limitation, architects, engineers, or equipment manufacturers is hereby expressly prohibited and shall not be permitted absent prior written consent from, and payment of compensation to Duke Energy Progress. Duke Energy Progress disclaims any liability or responsibility for any unauthorized use of or reliance on this document.

WEATHERSTONE SPRINGS	
CARY, NC	
SITE LIGHTING PLAN	
Designed by	DEP LIGHTING SOLUTIONS
Reviewed by	N. Johnson Scale 1" = 40'
Date	02/08/2017 Size "Arch D"
Description	LED 205 Shoebox
Drawing No.	17-0032A Sht. 1 OF 1