

ROOM FINISH SCHEDULE

ROOM	FLOOR	BASE	WALLS	CEILING	TRIM	DOOR
100 VESTIBULE		QUARRY TILE	WOOD PANELING	9'-0" CEILING HEIGHT	PAINT	ALUMINUM
101 PUBLIC AREA		CARPET	CERAMIC TILE	9'-0" CEILING HEIGHT	PAINT	ALUMINUM
102 MENS ROOM		CARPET	CERAMIC TILE	9'-0" CEILING HEIGHT	PAINT	ALUMINUM
103 WOMENS ROOM		CARPET	CERAMIC TILE	9'-0" CEILING HEIGHT	PAINT	ALUMINUM
104 SALAD BAR AREA		WOOD	CERAMIC TILE	9'-0" CEILING HEIGHT	PAINT	ALUMINUM
105 SERVING AREA		WOOD	CERAMIC TILE	9'-0" CEILING HEIGHT	PAINT	ALUMINUM
106 SERVING AREA		WOOD	CERAMIC TILE	9'-0" CEILING HEIGHT	PAINT	ALUMINUM
107 SERVING AREA		WOOD	CERAMIC TILE	9'-0" CEILING HEIGHT	PAINT	ALUMINUM
108 PREPARATION AREA		WOOD	CERAMIC TILE	9'-0" CEILING HEIGHT	PAINT	ALUMINUM
109 CLOSET		WOOD	CERAMIC TILE	9'-0" CEILING HEIGHT	PAINT	ALUMINUM
110 STORAGE		WOOD	CERAMIC TILE	9'-0" CEILING HEIGHT	PAINT	ALUMINUM
111 OFFICE		WOOD	CERAMIC TILE	9'-0" CEILING HEIGHT	PAINT	ALUMINUM
112 EMPLOYEE AREA		WOOD	CERAMIC TILE	9'-0" CEILING HEIGHT	PAINT	ALUMINUM
113 SERVING AREA		WOOD	CERAMIC TILE	9'-0" CEILING HEIGHT	PAINT	ALUMINUM
114 COOLER/FREEZER		WOOD	CERAMIC TILE	9'-0" CEILING HEIGHT	PAINT	ALUMINUM
115 CLOSET		WOOD	CERAMIC TILE	9'-0" CEILING HEIGHT	PAINT	ALUMINUM

- ① SEE EQUIPMENT PLAN FOR EXTENT OF CARPETING.
- ② ALL WOOD BASES TO BE OAK.
- ③ 8'-0" CEILING HEIGHT
- ④ 8'-6 1/2" CEILING HEIGHT
- ⑤ 8'-0" CEILING HEIGHT
- ⑥ 9'-0" CEILING HEIGHT (10'-0" IN CENTRAL DINING AREA)

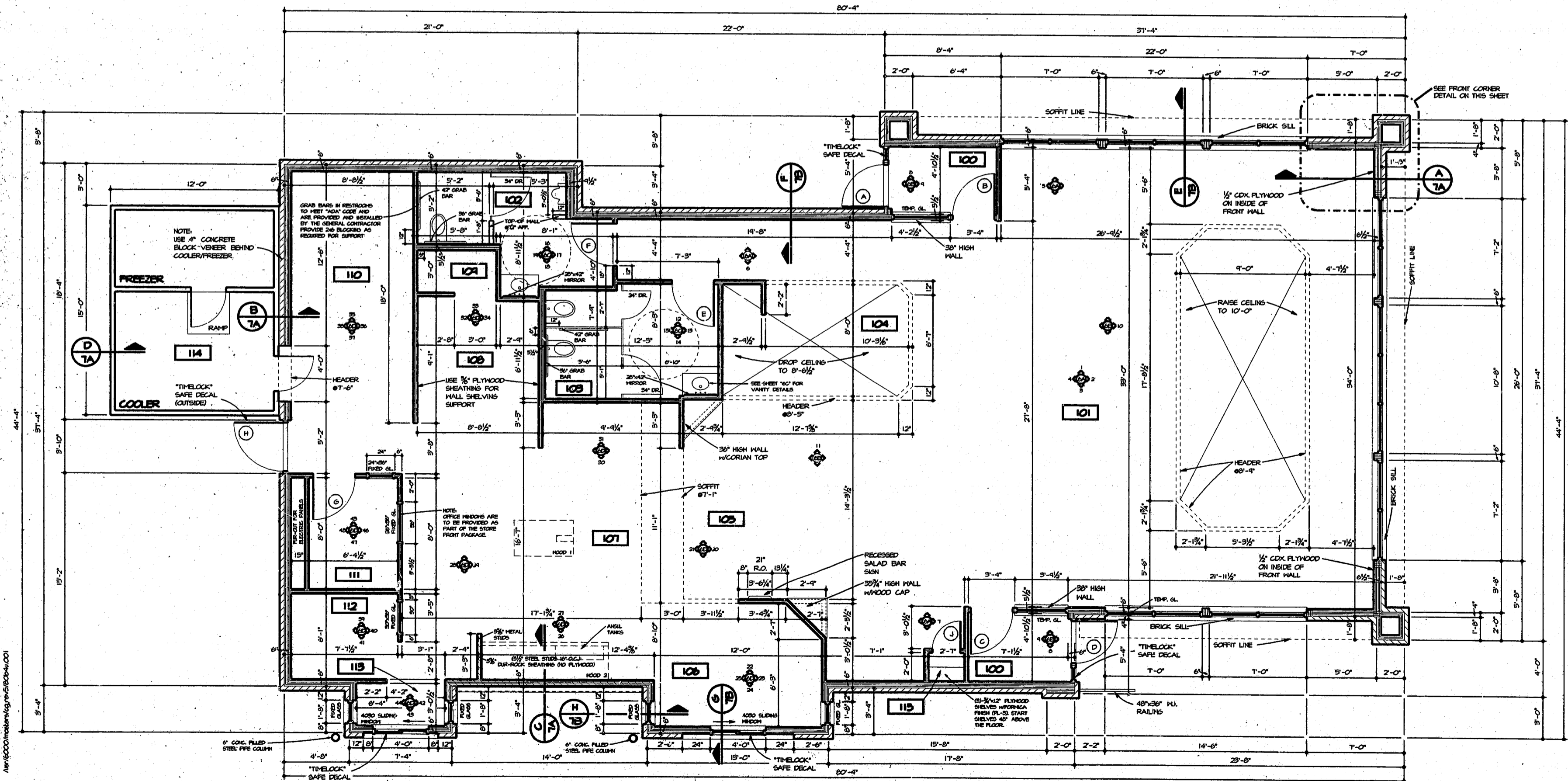
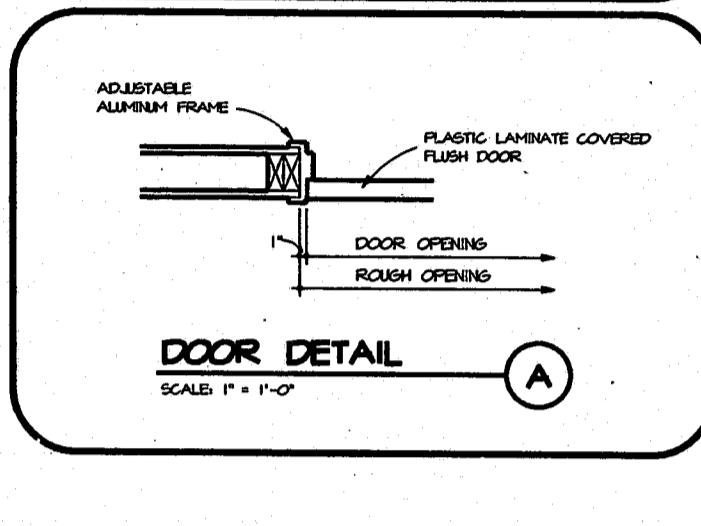
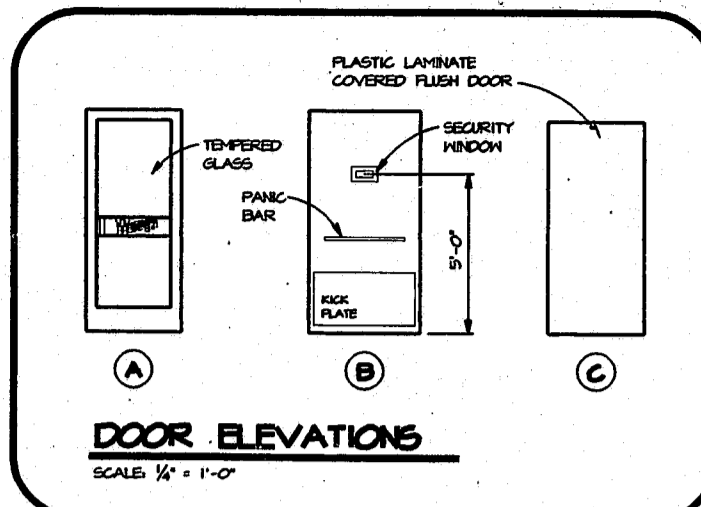
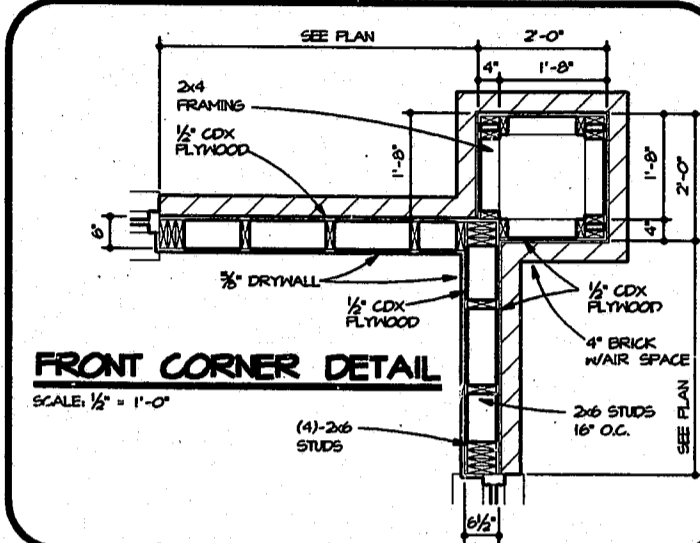
DOOR AND HARDWARE SCHEDULE

DOOR	TYPE	FRAME	HINGES	LATCH-CATCHES	ACC.
①	ADJUSTABLE ALUM.	ALUM.	ADJUSTABLE ALUM.	SECURITY HINGE	NO DOOR
②	ADJUSTABLE ALUM.	ALUM.	ADJUSTABLE ALUM.	SECURITY HINGE	NO DOOR
③	ADJUSTABLE ALUM.	ALUM.	ADJUSTABLE ALUM.	SECURITY HINGE	NO DOOR
④	ADJUSTABLE ALUM.	ALUM.	ADJUSTABLE ALUM.	SECURITY HINGE	NO DOOR
⑤	ADJUSTABLE ALUM.	ALUM.	ADJUSTABLE ALUM.	SECURITY HINGE	NO DOOR
⑥	ADJUSTABLE ALUM.	ALUM.	ADJUSTABLE ALUM.	SECURITY HINGE	NO DOOR
⑦	ADJUSTABLE ALUM.	ALUM.	ADJUSTABLE ALUM.	SECURITY HINGE	NO DOOR
⑧	ADJUSTABLE ALUM.	ALUM.	ADJUSTABLE ALUM.	SECURITY HINGE	NO DOOR
⑨	ADJUSTABLE ALUM.	ALUM.	ADJUSTABLE ALUM.	SECURITY HINGE	NO DOOR
⑩	ADJUSTABLE ALUM.	ALUM.	ADJUSTABLE ALUM.	SECURITY HINGE	NO DOOR
⑪	ADJUSTABLE ALUM.	ALUM.	ADJUSTABLE ALUM.	SECURITY HINGE	NO DOOR
⑫	ADJUSTABLE ALUM.	ALUM.	ADJUSTABLE ALUM.	SECURITY HINGE	NO DOOR
⑬	ADJUSTABLE ALUM.	ALUM.	ADJUSTABLE ALUM.	SECURITY HINGE	NO DOOR
⑭	ADJUSTABLE ALUM.	ALUM.	ADJUSTABLE ALUM.	SECURITY HINGE	NO DOOR
⑮	ADJUSTABLE ALUM.	ALUM.	ADJUSTABLE ALUM.	SECURITY HINGE	NO DOOR
⑯	ADJUSTABLE ALUM.	ALUM.	ADJUSTABLE ALUM.	SECURITY HINGE	NO DOOR
⑰	ADJUSTABLE ALUM.	ALUM.	ADJUSTABLE ALUM.	SECURITY HINGE	NO DOOR
⑱	ADJUSTABLE ALUM.	ALUM.	ADJUSTABLE ALUM.	SECURITY HINGE	NO DOOR
⑲	ADJUSTABLE ALUM.	ALUM.	ADJUSTABLE ALUM.	SECURITY HINGE	NO DOOR
⑳	ADJUSTABLE ALUM.	ALUM.	ADJUSTABLE ALUM.	SECURITY HINGE	NO DOOR

- ① FOR PLASTIC LAMINATE COVERED FLUSH DOOR WITH ADJUSTABLE ALUMINUM FRAME USE "AAA" SERIES SCOO AS MANUFACTURED BY MARLITE. ROUGH OPENING IS TO BE 2" WIDER AND 1" TALLER.
- ② USE 3/8" SCREWS ON ALL DOOR HINGES.
- ③ "MEN" SIGN
- ④ "WOMEN" SIGN
- ⑤ SECURITY HINGES.
- ⑥ LOCK CYLINDERS MAY BE BY "FALCON" OR AS DIRECTED BY THE REGIONAL ENGINEER.

GENERAL NOTES

- ALL PARTITIONS NOT DIMENSIONED ARE 3/4" WOOD STUDS. (METAL STUDS MAY BE USED, ALL DIMENSIONS MUST BE ADJUSTED.)
- PROVIDE BLOCKING AS REQUIRED IN FRAME WALLS.
- RIGID ROOF INSULATION IS FIBERBOARD - NOT FOAM.
- EXTERIOR DIMENSIONS ARE FROM OUT TO OUT OF FLYWOOD SHEATHING.
- INTERIOR DIMENSIONS ARE FROM FACE TO FACE OF FRAMING.
- CROSSHATCHED INTERIOR WALLS INDICATE GALVANIZED STEEL STUDS 16" O.C.
- STAINLESS STEEL PANELS ON OUR-ROCK SHEATHING BEHIND ALL COOKING EQUIPMENT TO EXTEND 18" FROM EDGES OF EQUIPMENT. (BY KITCHEN EQUIPMENT SUPPLIER.)



10-JAN-95 2140

REVISIONS FOR ADA-TITLE III COMPLIANCE

NO.	DATE	BY	REVISIONS
1	1-2-95	JM	GENERAL PLAN REVISION #5

SCALE: 1/4" = 1'-0"

DRAWN: JH
CHECK: JH
PLOT: JH
PLOT: JH
PLOT: JH

Wendy's
Wendy's Old Fashioned Hotdogs

FLOOR PLAN

PRELIMINARY BIDDING CONSTRUCTION

WENDY'S
WENDY'S STORE NO.
BRICK/FACIA BUILDING
U-SALAD BAR PLAN

6240 BUILDING

PLAN No. (Revision #5)
cg-series CENTRAL GRILLE

JOB No. SHEET No.
STANDARD 8