



WITHERS & RAVENEL
Engineering & Surveying, Inc.

111 MacKean Drive
Cary, N.C. 27511
PHONE : 919-469-3340
FAX : 919-467-6008

SEALS

DRAWING TITLE

**SITE
DETAILS**

PROJECT TITLE

**WEST PARK
PLACE**

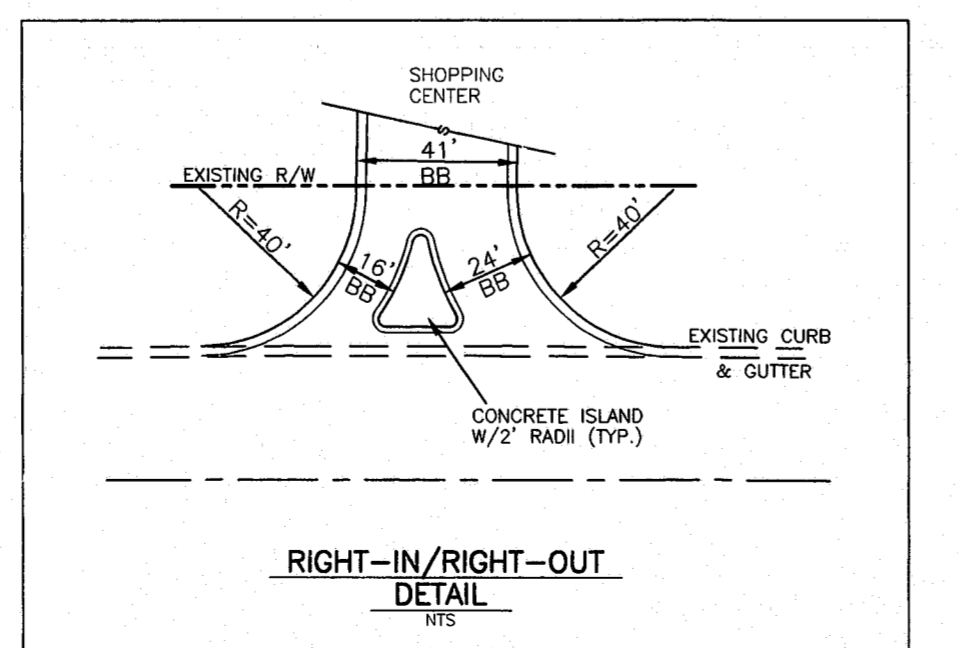
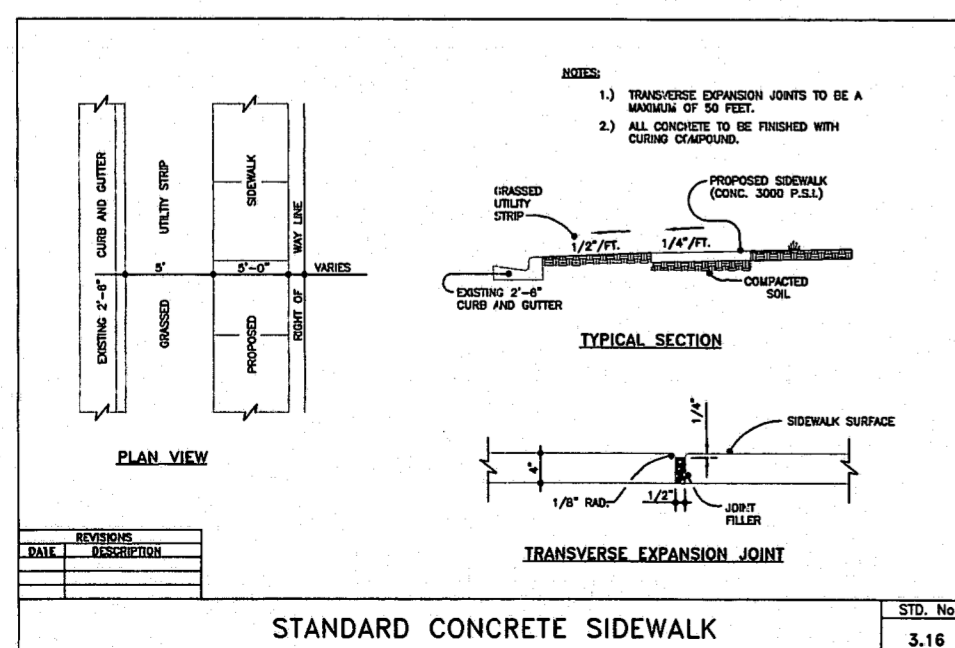
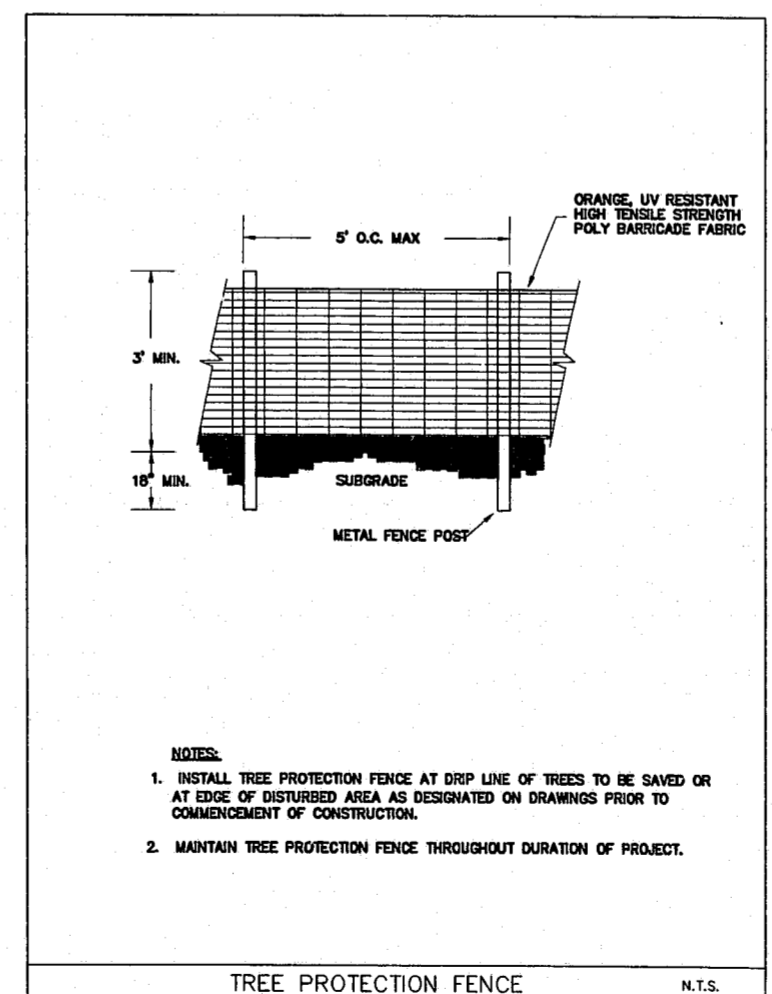
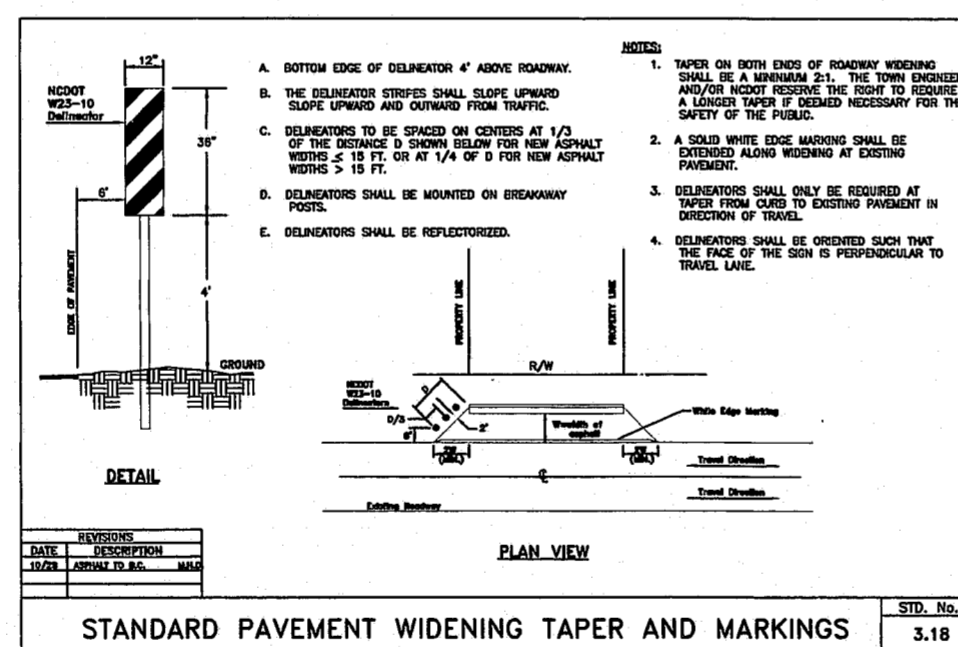
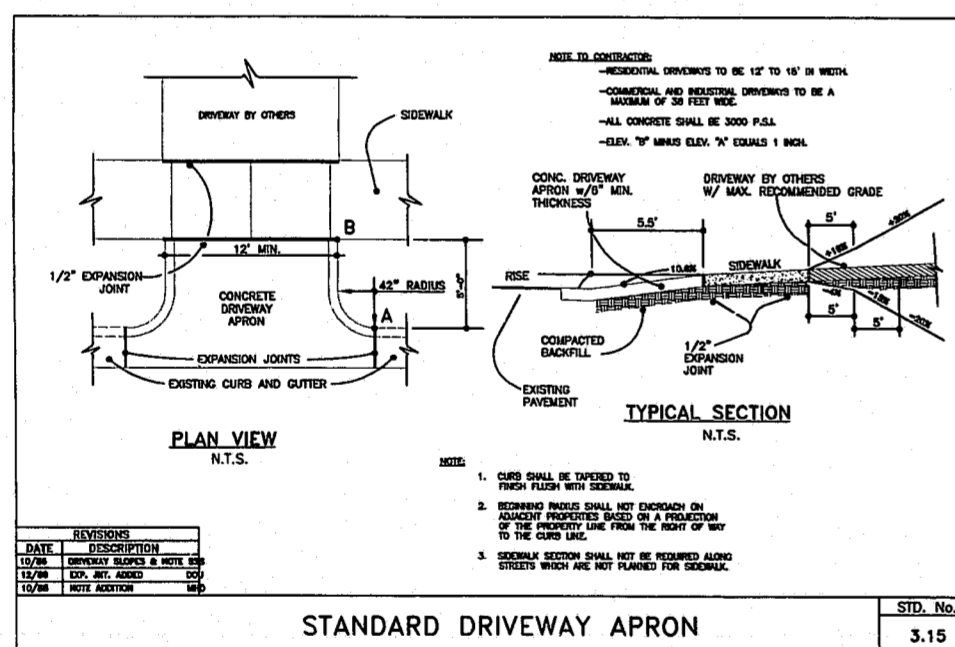
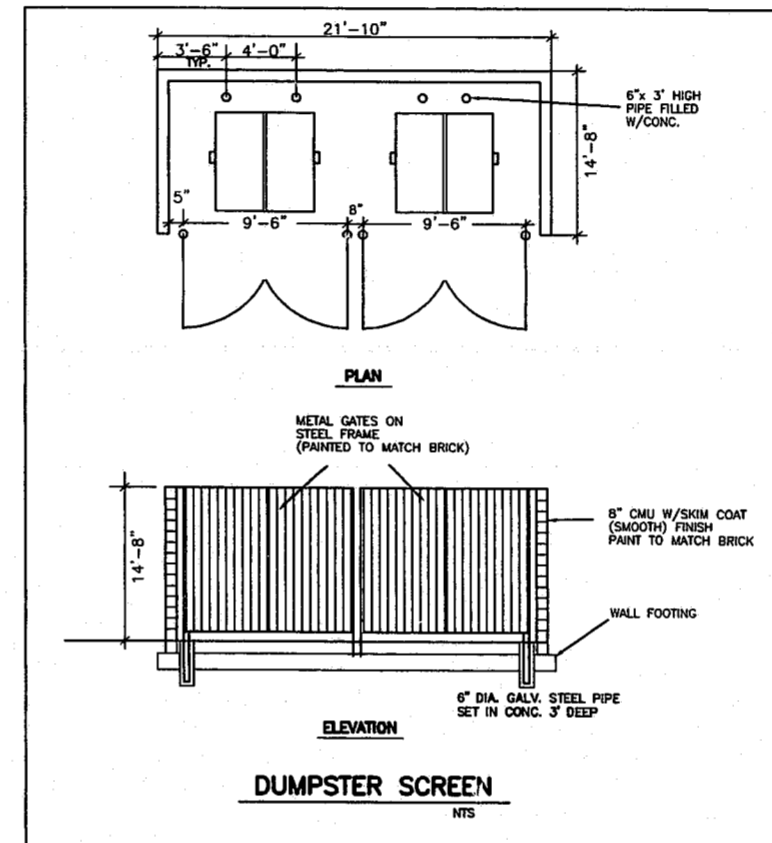
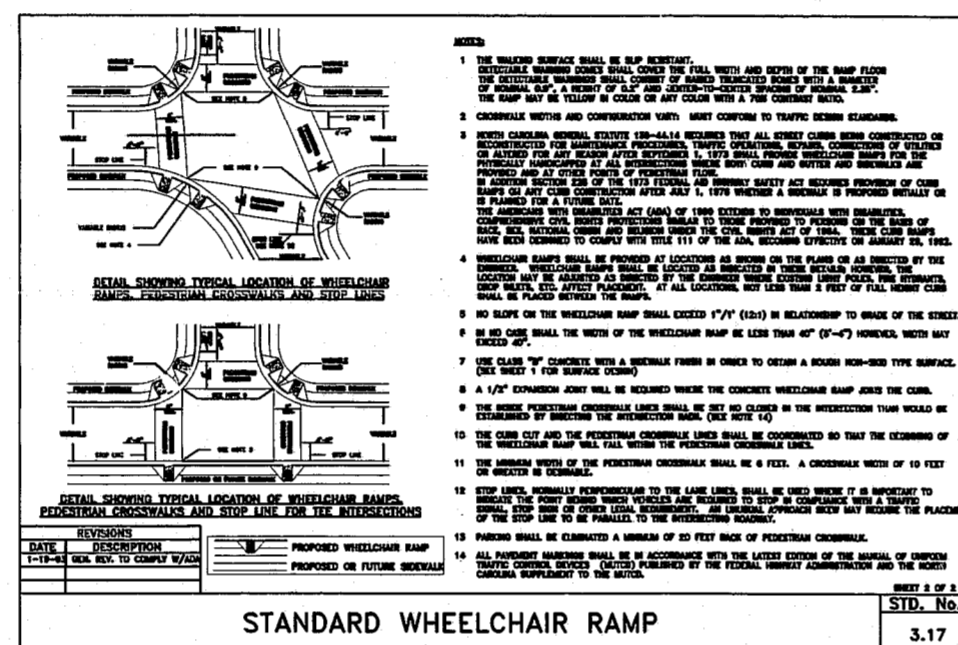
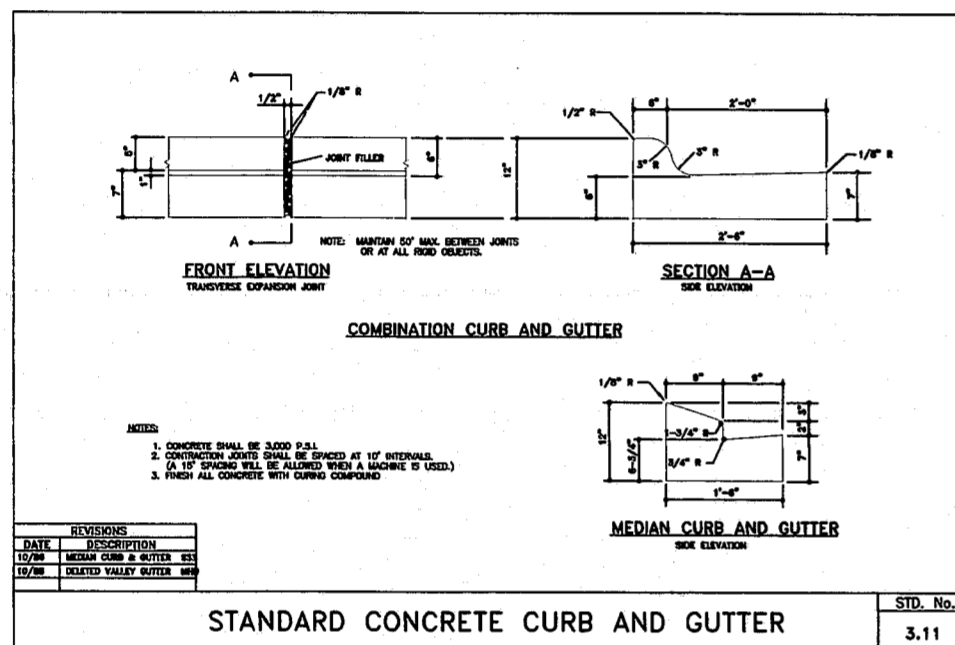
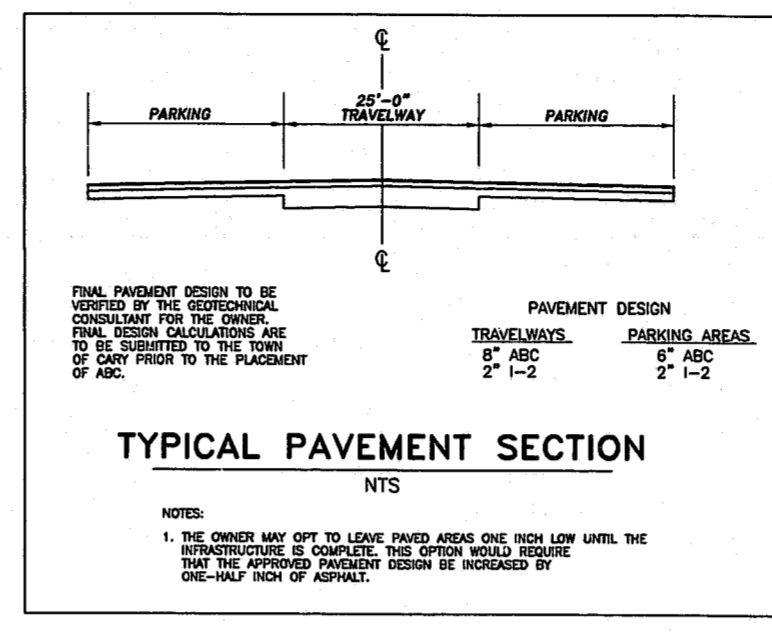
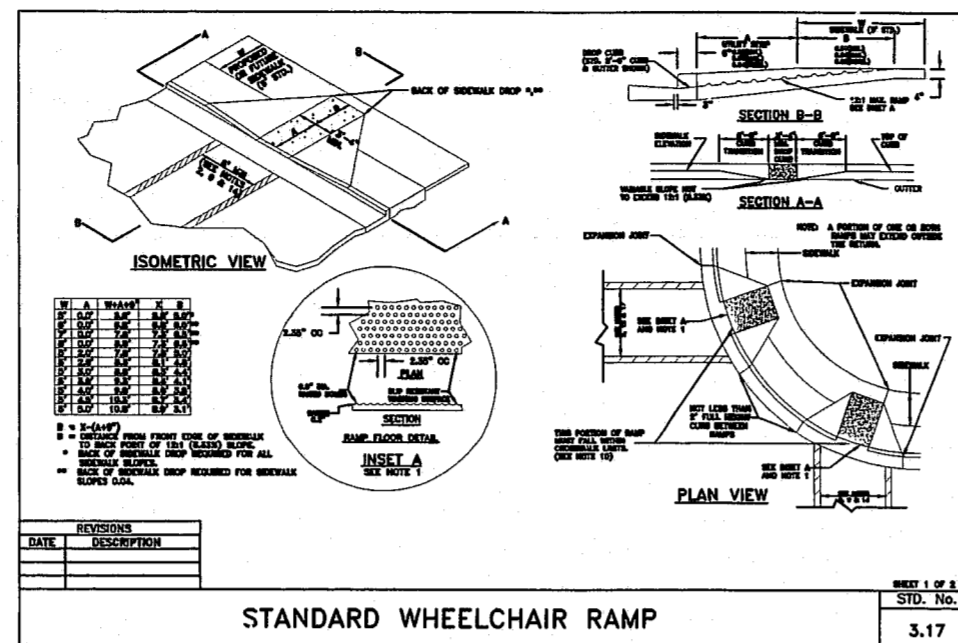
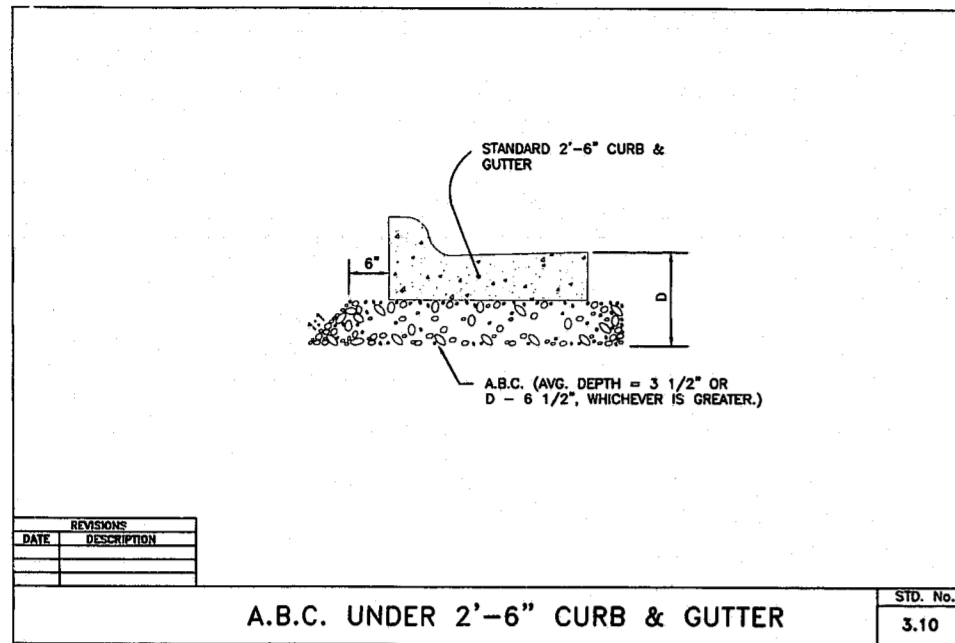
PRELIMINARY
NOT APPROVED FOR CONSTRUCTION

REVISIONS		
NUMBER	DESCRIPTION	DATE
1	TOC 1ST REV COMMENTS	11/1/98
2	PER TOC 2ND REVIEW	12/14/98

DRAWN BY: DOU/ATB
CHECKED BY: LGS
DATE ISSUED: 8/1/1997
SCALE: NTS
JOB NO.: 96184

SHEET NO. **6.2**

OF



K:\ACAD\PROJECTS\BASIS\2.1\40. Non Dec 14. 08: 24-44. 1998. WITHERS & RAVENEL, ENGINEERING & SURVEYING, INC. HP Designjet 650C. Hewlett-Packard HP-G/LZ devices. ADI 4.3 - for Autodesk by HP