

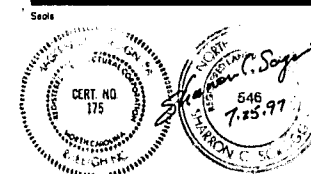


HagerSmith Design PA

Architecture Landscape Architecture Planning Design Interior Design

PO Box 1308 300 South Dawson Street Raleigh, North Carolina 27602 Fax: 919.828.4050

919.821.5547 Copyright 1997



Associates / Consultants

Civil Engineer:



WITHERS & RAVENEL 111 Mackenran Drive Cary, NC 27511 (919) 469-3340

Doc # 97-SB-017

Project 061-061

WESTON OAKS COURT

An Office Subdivision in Weston P.U.D. Cary, North Carolina

HIGHWOODS PROPERTIES

Highwoods Services Inc. c/o Highwoods Properties

3100 Smoketree Court Suite 600 Raleigh, NC 27604 (919) 872-4924

Drawing Title

SITE DETAILS

Table with 3 columns: Revisions, Number, Description, Date

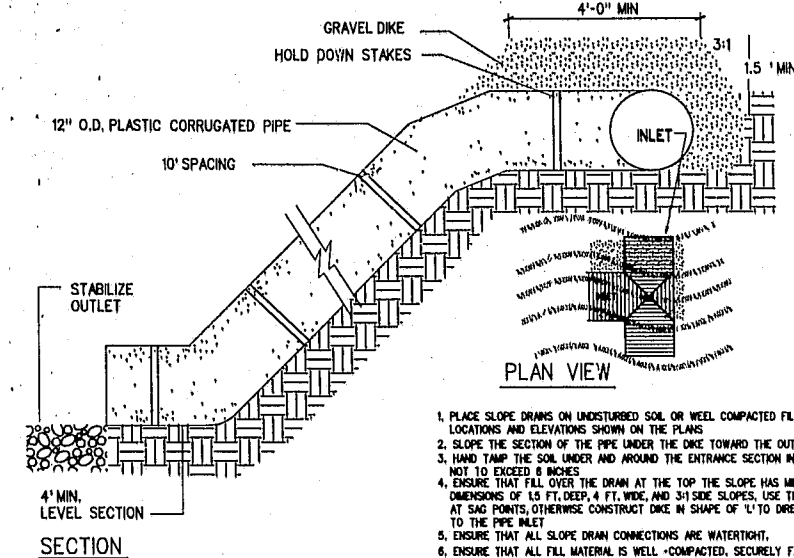
Drawn By: SCS L-3

Checked By: STI

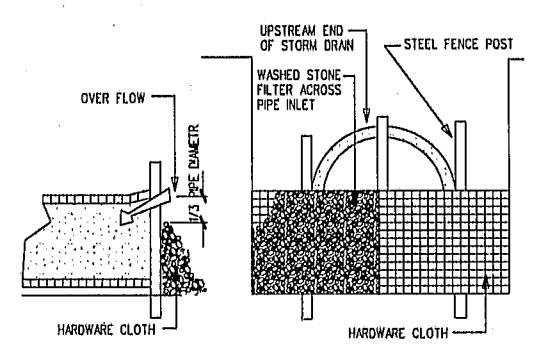
Date Issued: JUNE 23, 1997

of 00

AUG 05 1997



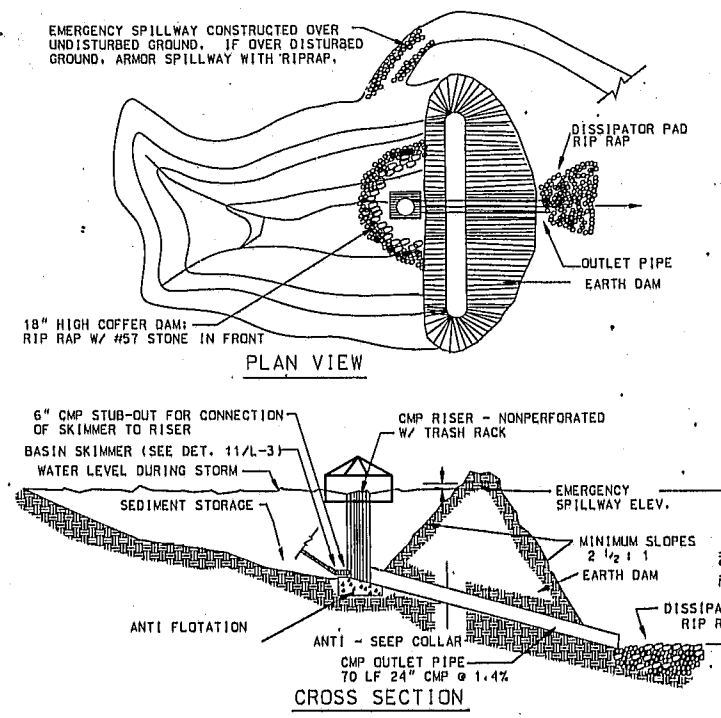
8 Temporary Slope Drain NTS



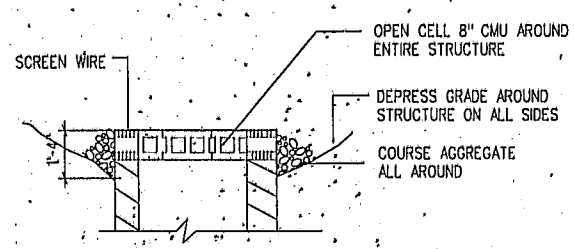
9 Stone Filter Pipe Inlet Protection for Storm Drain Pipe Under Construction Type 4.12

NOTES: 1. ADJUSTMENT TO PROPOSED LOCATION AND ELEVATIONS OF BASINS & ASSOCIATED STRUCTURES TO BE COORDINATED WITH TOWN OF CARY INSPECTOR.

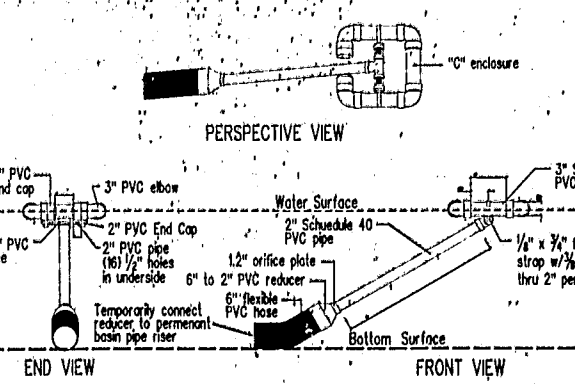
RISER-BARREL BASIN SCHEDULE table with columns for Element and Basin A details.



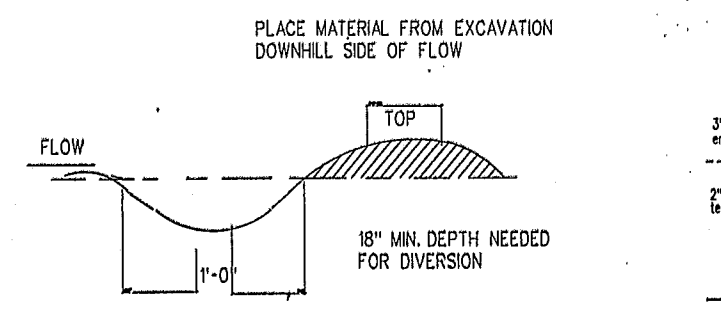
5 STANDARD RISER-BARREL SEDIMENT BASIN (4.02) N.T.S.



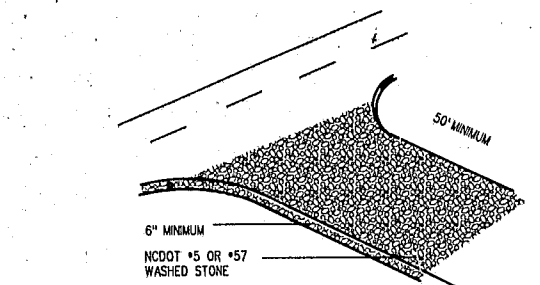
10 PROTECTED DRAINAGE STRUCTURE 1/4 inch - 1 inch



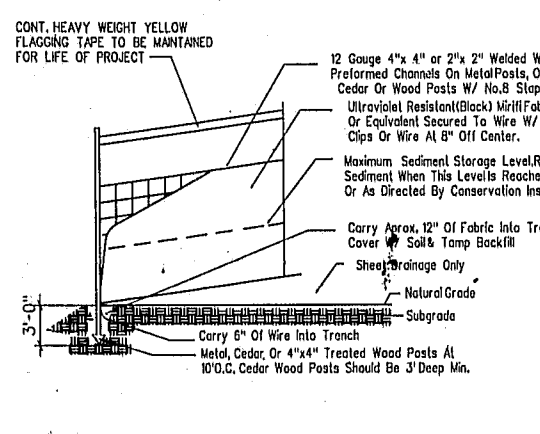
11 SEDIMENT BASIN SKIMMER N.T.S.



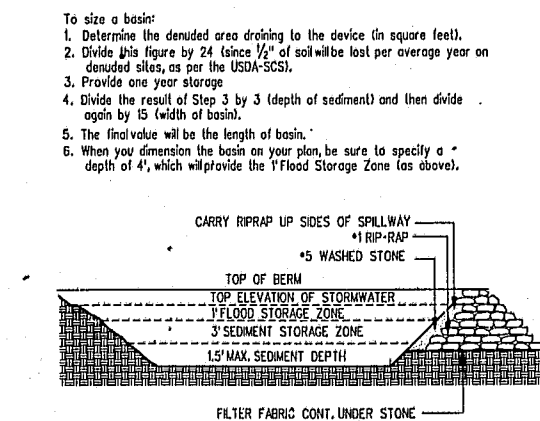
7 Temporary Diversion 1/4 inch - 1 inch



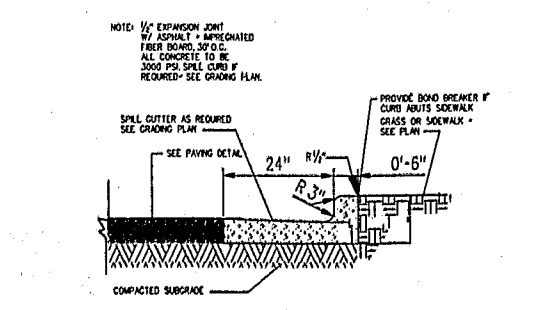
1 TEMPORARY GRAVEL CONSTRUCTION ENTRANCE 1/4 inch - 1 inch



2 TEMPORARY SILT/TREE PROTECTION FENCE 1/4 inch - 1 inch



3 Section Through Sediment Basin & Filter N.T.S.



4 CURB & GUTTER N.T.S.

A. NCDDOT #5 OR #57 WASHED STONE SHALL BE USED. PAD TO BE 50L X 20' W X 6' D AT A MINIMUM. B. TURNING RADIUS SUFFICIENT TO ACCOMMODATE LARGE TRUCKS IS TO BE PROVIDED. C. ENTRANCE(S) SHOULD BE LOCATED TO PROVIDE FOR MAXIMUM UTILITY BY ALL CONSTRUCTION VEHICLES. D. MUST BE MAINTAINED IN A CONDITION WHICH WILL PREVENT TRACKING OR DIRECT MUD ONTO THE STREETS. E. ANY MATERIAL WHICH STILL MAKES IT ONTO THE ROAD MUST BE CLEANED UP IMMEDIATELY. NOTES: APPLICABLE AT ALL POINTS OF INGRESS UNTIL SITE IS STABILIZED, FREQUENT CHECKS OF THE DEVICE AND TIMELY MAINTENANCE MUST BE PROVIDED.

CONT. HEAVY WEIGHT YELLOW FLAGGING TAPE TO BE MAINTAINED FOR LIFE OF PROJECT. 12 Gauge 4 inch x 4 inch or 2 inch x 2 inch Welded Wire Hooked Onto Preformed Channels On Metal Posts, Or Fastened To Cedar Or Wood Posts W/ No. 8 Staples. Ultraviolet Resistant (Black) Mill Fabric Or Equivalent Secured To Wire W/ Metal Clips Or Wire At 6 inch Off Center. Maximum Sediment Storage Level. Remove Sediment When This Level Is Reached Or As Directed By Conservation Inspector. Carry Approx. 12 inch Fabric Into Trench, Cover W/ Soil & Tamp Backfill. Shear Drainage Only. Natural Grade. Subgrade. Carry 6 inch Wire Into Trench. Metal, Cedar, Or 4 inch x 4 inch Treated Wood Posts At 10' O.C. Cedar Wood Posts Should Be 3 inch Deep Min.

Table with 2 columns: SEDIMENT BASIN B and SEDIMENT BASIN C, listing area and dimensions.

ALL CATCH BASINS LOCATED IN PEDESTRIAN WALKWAY AREAS SUBSTITUTE NEENAH R1978 BIG FRAME WITH TYPE R-4990X-TYPE P GRATE FOR SPECIFIED GRATE AND FRAME. TOP ELEVATION GIVEN AT THIS POINT "NEENAH INLET FRAME" AND GRATE FR-3405 OR EQUAL. 4 inch THICK MIN. 8 inch HARD BURNED OR CONCRETE BRICK. CLASS "D" CONCRETE. CLASS "B" CONCRETE.

NOTE: 1/2 inch EXPANSION JOINT @ 20' INTERVALS - APPROXIMATELY FROM BOUNDARY TO BOUNDARY. ALL CONCRETE TO BE 3000 PSI. SPILL CURB IF REQUIRED - SEE DRAWING PLAN. PROVIDE ROAD BARRIER IF CURB MEETS SIDEWALK - SEE PLAN. SPILL CURB AS REQUIRED - SEE DRAWING PLAN.

PLACE MATERIAL FROM EXCAVATION DOWNHILL SIDE OF FLOW