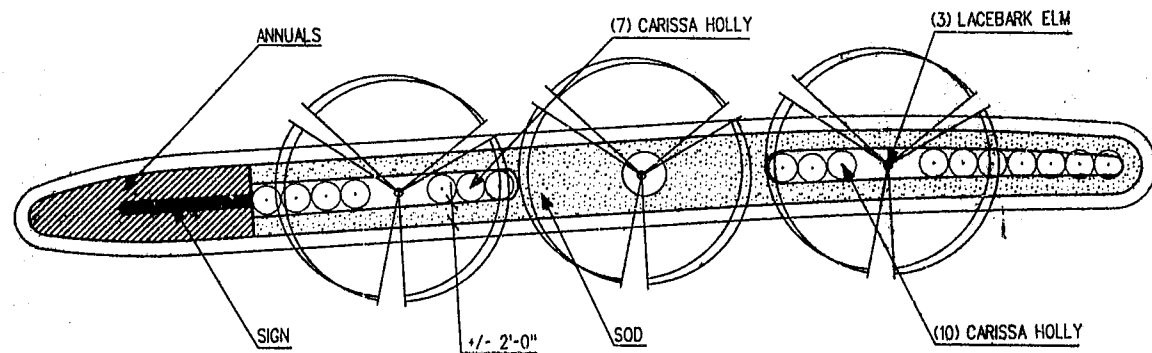


(26) 6" cal. Transplanted Maple Trees

[SEE SHEET PL-2]

--- LIMIT OF IRRIGATION AND SOD
 --- IRRIGATION SLEEVE

CUL DE SAC PLAN
 Scale: 1" = 20'



MEDIAN PLAN

Scale: 1" = 10'

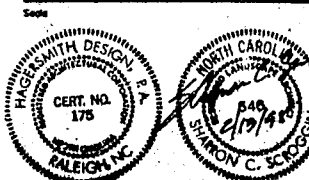


HagerSmith
 Design PA

Architecture
 Landscape Architecture
 Planning
 Interior Design

PO Box 1308
 300 South Dawson Street
 Raleigh, North Carolina 27602
 Fax: 919.223.4050

09.AES.297 © Copyright 1997



Associate / Consultant

Civil Engineer:



WITHERS & RAVENEL
 111 Mackenran Drive
 Cary, NC 27511
 (919) 469-3340

Project: 001-001

WESTON OAKS COURT

An Office Subdivision
 in Weston P.U.D.
 Cary, North Carolina

HIGHWOODS
 PROPERTIES

Highwoods Service Inc.
 c/o Highwoods Properties
 3100 Smoketree Court
 Suite 600
 Raleigh, NC 27604
 (919) 872-4924

Drawing Title
 CUL DE SAC
 PLANTING PLAN

| Revision | Number | Description | Date |
|----------|--------|-------------|------|
| | | | |
| | | | |
| | | | |

Drawn By: KRD
 Checked By: SCS
 Date Issued: NOV. 7, 1997

PL-2
 of 00