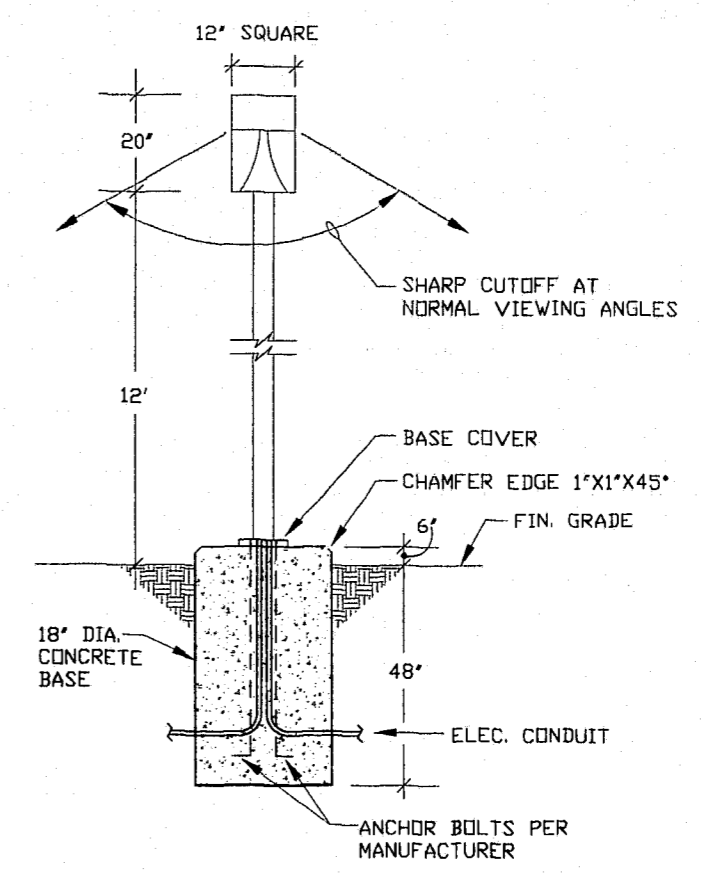


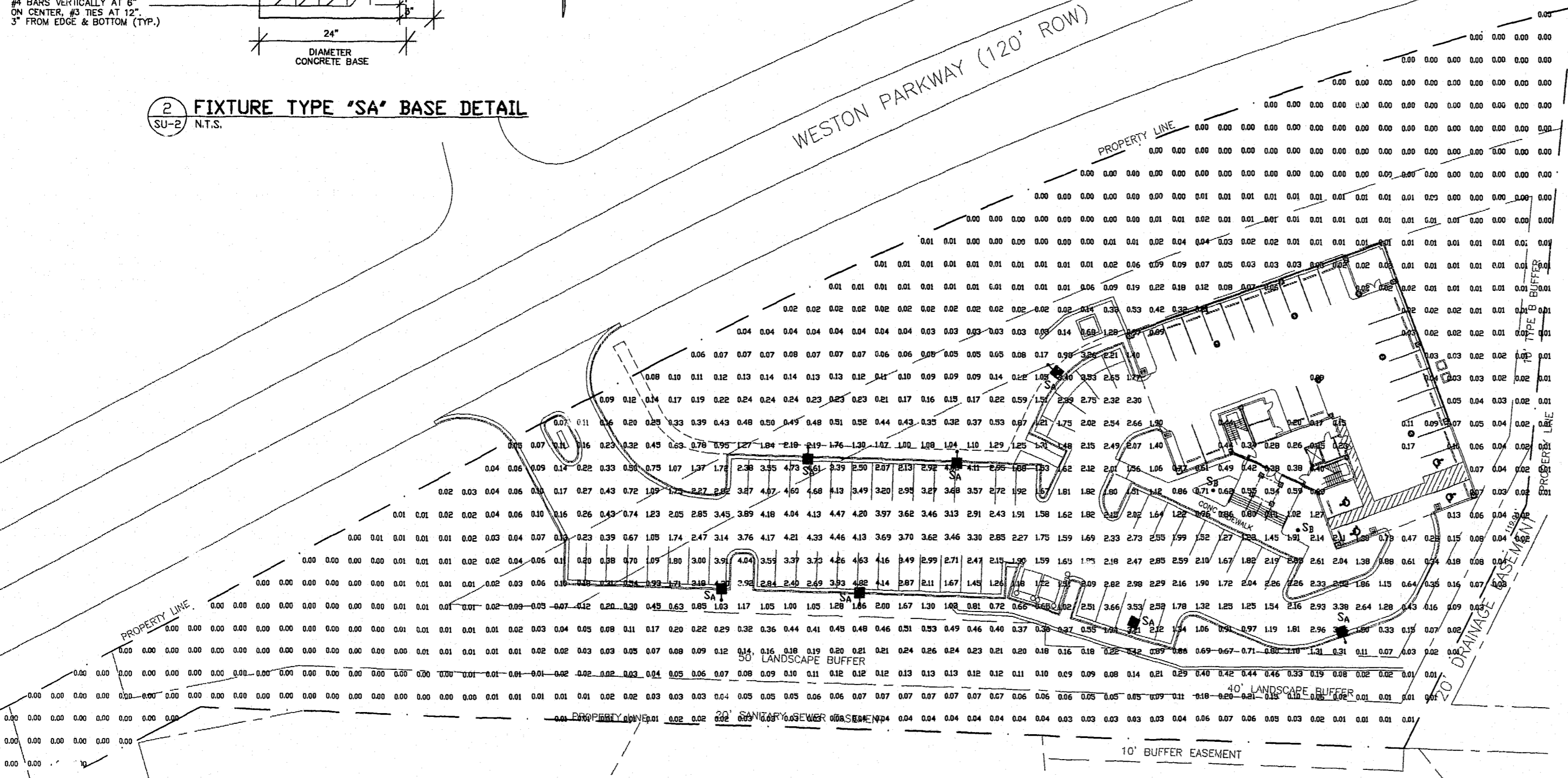
2 FIXTURE TYPE 'SA' BASE DETAIL  
SU-2 N.T.S.

MARK	DESCRIPTION	MFR. & CAT. NO.	LAMPS	VOLTS	WATTS
SA	400 WATT METAL HALIDE SINGLE AREA LIGHT ON 25' POLE	LITHONIA KSF2-400MR4-120-SP04-COLOR: <del>WHITE</del> <del>GREEN</del> <del>BROWN OR BLACK</del> * POLE: SSS254G - SAME COLOR AS FIXTURE	1-400W MH 3500°K	277	440
SB	175 WATT METAL HALIDE CUTOFF TYPE POLE LIT.	U.S. ARCHITECTURAL LIGHTING SAPI2-SYM-175-MH-120-1 SHARP CUTOFF FIXTURE POLE: WNTA-14-125-FPG <del>SHARP-CUTOFF-GREEN-BURNDIE</del> MUCS4850 - PROVIDE TENDON AS REQUIRED.	1-175W MH 3500°K	277	210

\*NOTE: COLOR SHALL BE BROWN OR BLACK TO MATCH WESTON P.U.D. STANDARDS.



3 FIXTURE TYPE 'SB' BASE DETAIL  
SU-2 N.T.S.



1 FOOT CANDLE PLOT  
SU-2 SCALE: 1"=30'-0"

LUMINAIRE: SA  
area/ksf/400hr/4 SR22.SYM  
CAD SYMBOL SIZE: 4

FILENAME: K:\L\IES\WONARCH\AREA\KSF\93041301.IES  
LUMENS = 38000  
LLF = 0.74  
SPIN = 0

IESNA91  
(TEST) 1193041301  
(MANUFAC) LITHONIA ARCHITECTURAL OUTDOOR  
(LUMCAT) KSF 400M R4  
(LUMINAIRE) TYPE 4 SHDRT, CUTOFF LUMINAIRE  
(LAMP) MH400/UEDE8  
(LAMP) 400 WATT METAL HALIDE - CD-28 ENVELOPE  
(OTHER) Version: 10/01/1998 - 12:00:00

TILT=NONE  
LUMPS = 1 LUMENS/LAMP = 38000 PHOTOMETRIC TYPE = 1 WATTS = 455  
LUMINOUS DIMENSIONS (FEET) WIDTH = 1.4 LENGTH = 1.4 HEIGHT = 0  
FACTORS \* MULTIPLIER = 1 BALLAST = 1 BALLAST-LAMP = 1  
NUMBER OF VERTICAL ANGLES = 29 0 TO 90 DEGREES  
NUMBER OF HORIZONTAL ANGLES = 21 0 TO 180 DEGREES

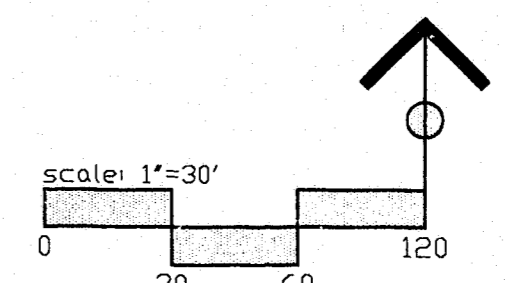
LUMINAIRE LOCATION SUMMARY  
COORDINATES IN FEET

NO.	LUMINAIRE LABEL	X-COORD	Y-COORD	Z-COORD	ORIENT	TILT	AIMING COORDINATES X	Y	Z
1	SA	2063178	756926	25	90	0	206317	756926	0
2	SA	2063238	756925	25	90	0	206323	756925	0
3	SA	2063349	756913	25	63	0	206334	756913	0
4	SA	2063449	756913	25	118	0	206344	756913	0
5	SA	2063211	756989	25	270	0	206321	756989	0
6	SA	2063283	756986	25	272	0	206328	756986	0
7	SA	2063330	757028	25	312	0	206333	757028	0

SA: TOTAL NUMBER OF LOCATIONS = 7  
AVERAGE TILTED LAMP CORRECTION FACTOR APPLIED = 1

PLANE: A  
POINT SPACING LEFT-TO-RIGHT = 10 FT  
POINT SPACING TOP-TO-BOTTOM = 10 FT  
LOWER LEFTHAND CORNER OF PLANE:  
X = 2063257 Y = 756931 Z = 0  
UPPER RIGHTHAND CORNER OF PLANE:  
X = 2063360 Y = 757190 Z = 0  
LIGHT METER IS NORMAL TO PLANE

AVERAGE FC = 62  
MAXIMUM FC = 4.82  
MINIMUM FC = 0  
AVERAGE/MINIMUM = 0  
MAXIMUM/MINIMUM = 0  
TOTAL NUMBER OF POINTS = 1086



The  
**Roberts**  
Group  
Architecture • Planning  
4011 West Chase Blvd, Suite 100  
Raleigh, North Carolina 27607  
Ph.: 919.831.1831 Fax: 919.831.1833

**Adcock Engineering**  
PLUMBING, HVAC AND ELECTRICAL DESIGN  
4601 LAKE BOONE TRAIL  
RALEIGH, NC 27607  
PHONE: 919-881-0547  
FAX: 919-881-0547  
(919) 881-6338  
A.E. PROJECT NO. 99029



**WESTON OFFICE BUILDING**  
CARY  
North Carolina

Revisions:  
9/28/98

TOWN OF CARY PROJECT NO.  
00-SP-039  
FOOT CANDLE PLOT  
AND DETAILS

Project Number  
**185.01**

Drawn By: AAI  
Checked By: SYA  
Date: 09/17/99

Sheet Number  
**SU-2**