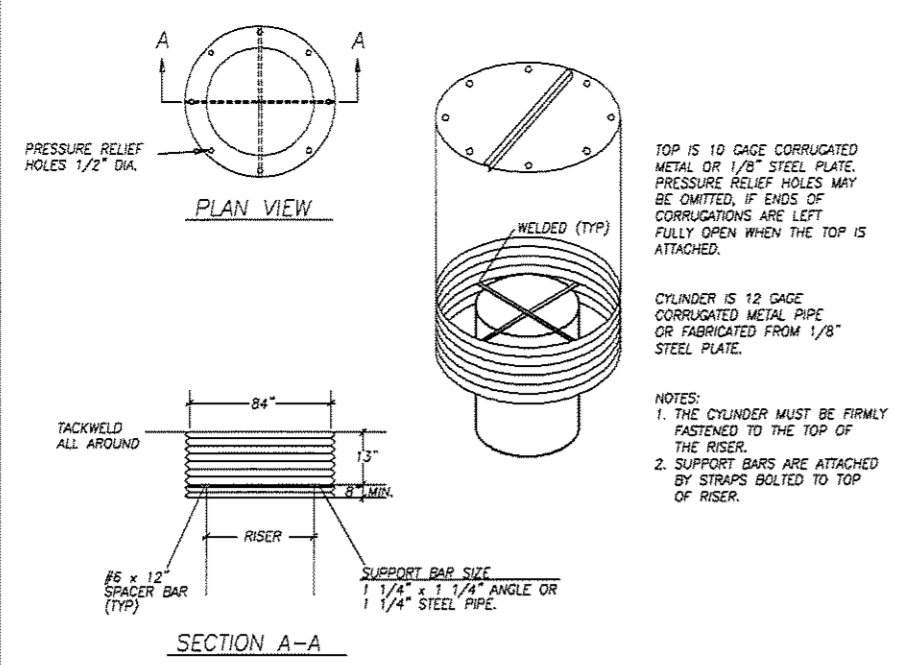
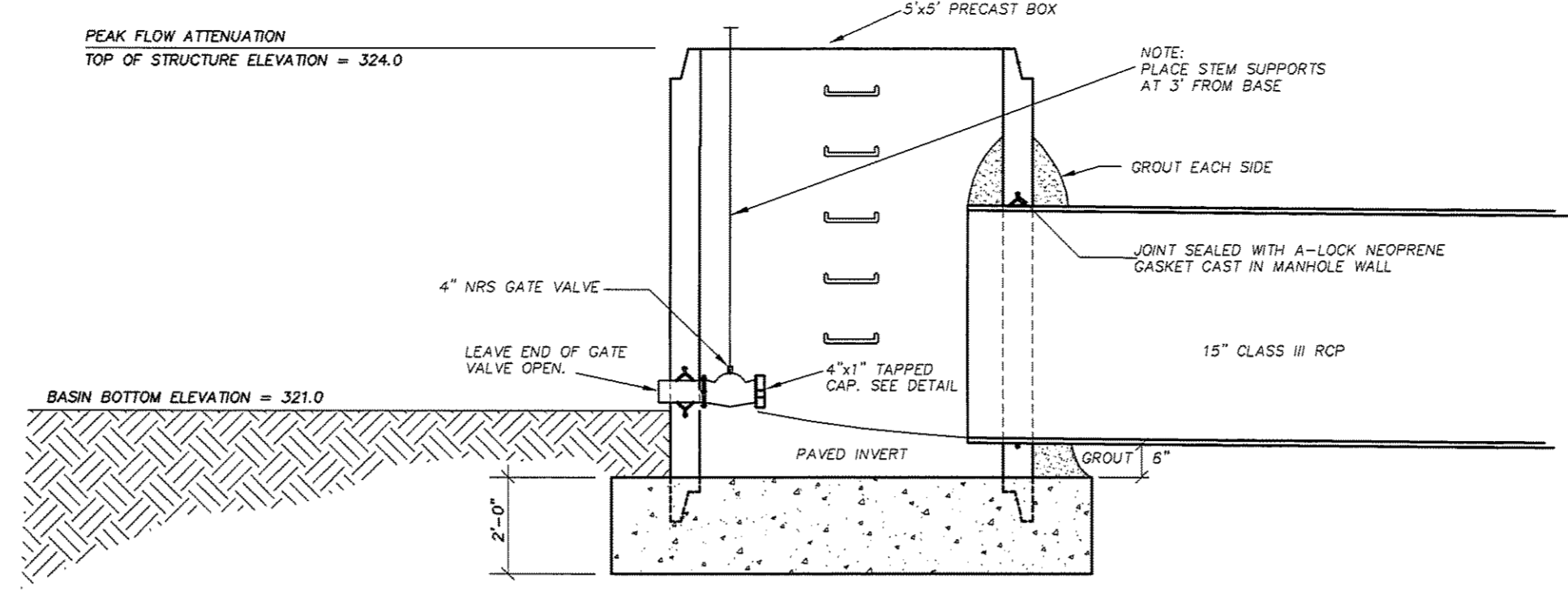


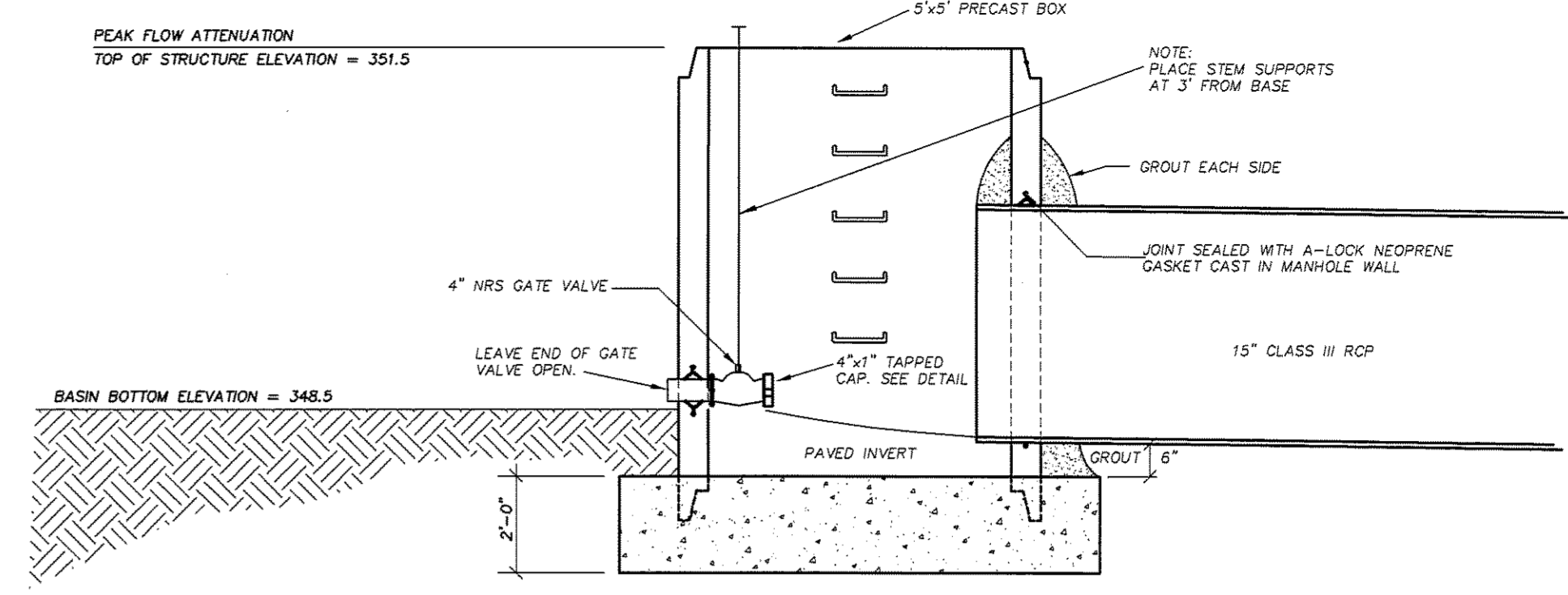
TYPICAL ANTI-SEEP COLLAR - BMP#1
NTS



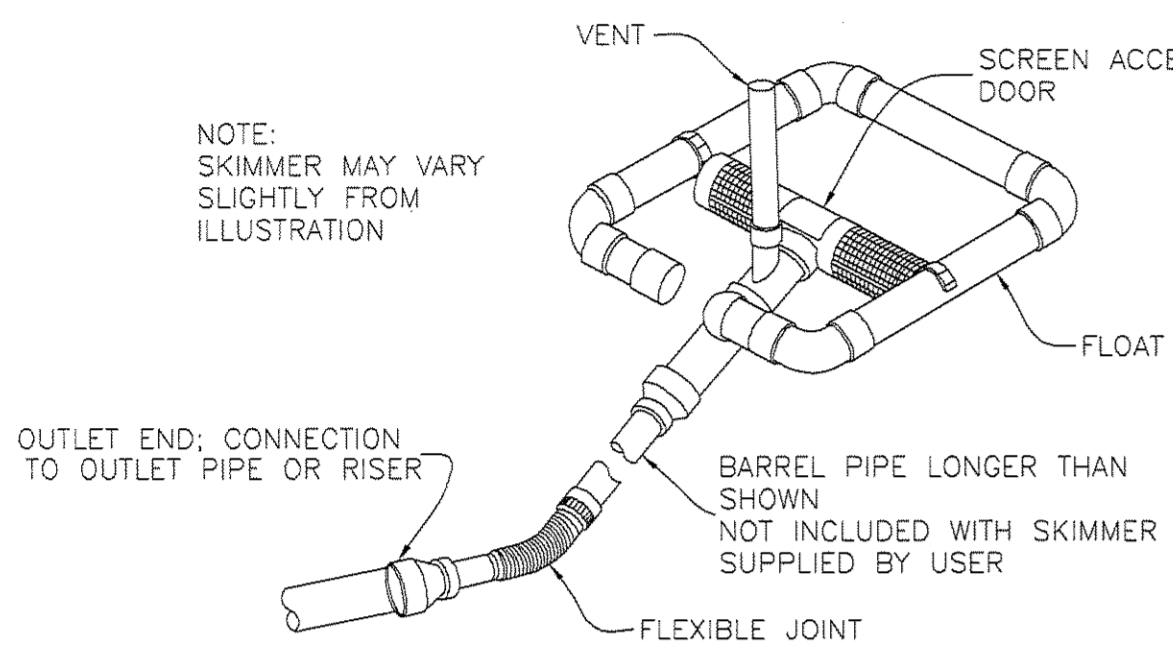
TYPICAL TRASH RACK - BMP#1
NTS



RISER & DRAWDOWN DEVICE DETAIL - FOR BMP #2
NTS

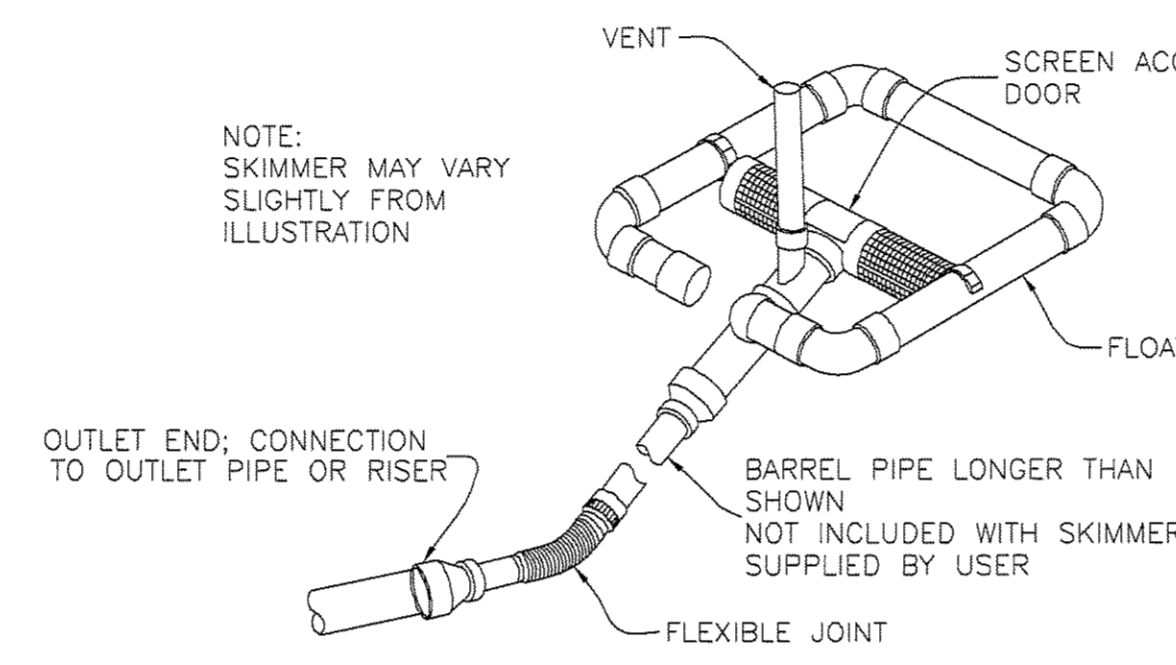


RISER & DRAWDOWN DEVICE DETAIL - FOR BMP #3
NTS



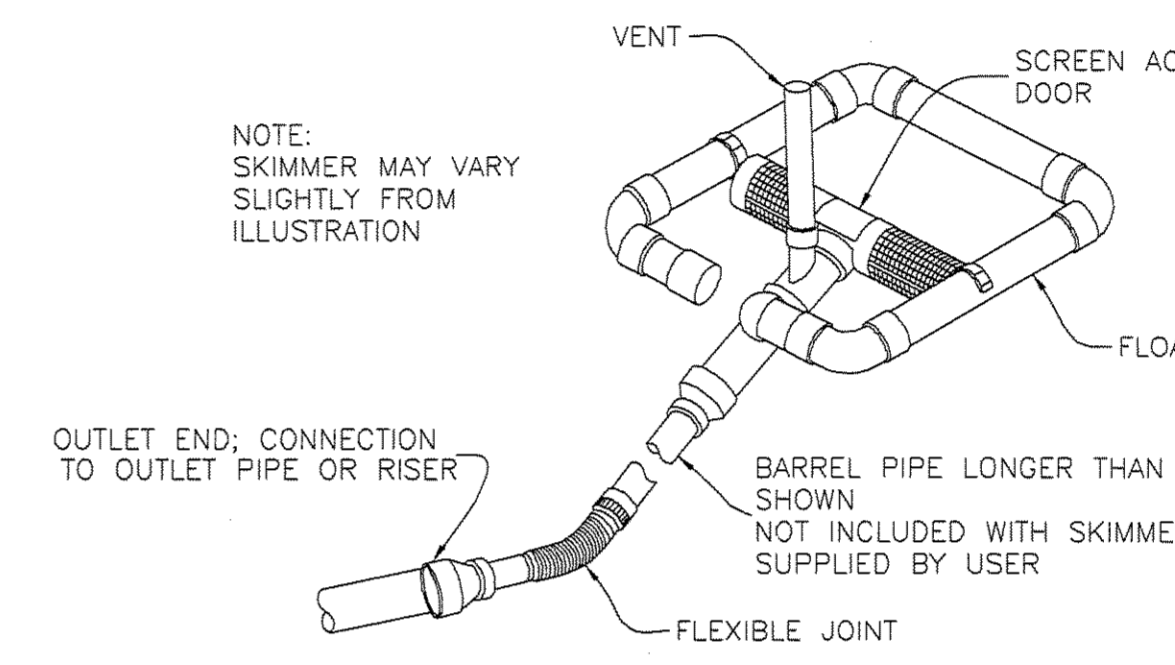
BMP SKIMMER DETAIL - BMP#1
NTS

BMP #1 - WET POND
Skimmer to Use: 2" Skimmer w/ 2' head
Volume to be Drained = 30,056 cu. ft.
Draw Down Time = 3 days
Orifice Area = 2.47 sq. in.
Orifice Diameter = 2.1 inches
Qout = 0.02 cfs



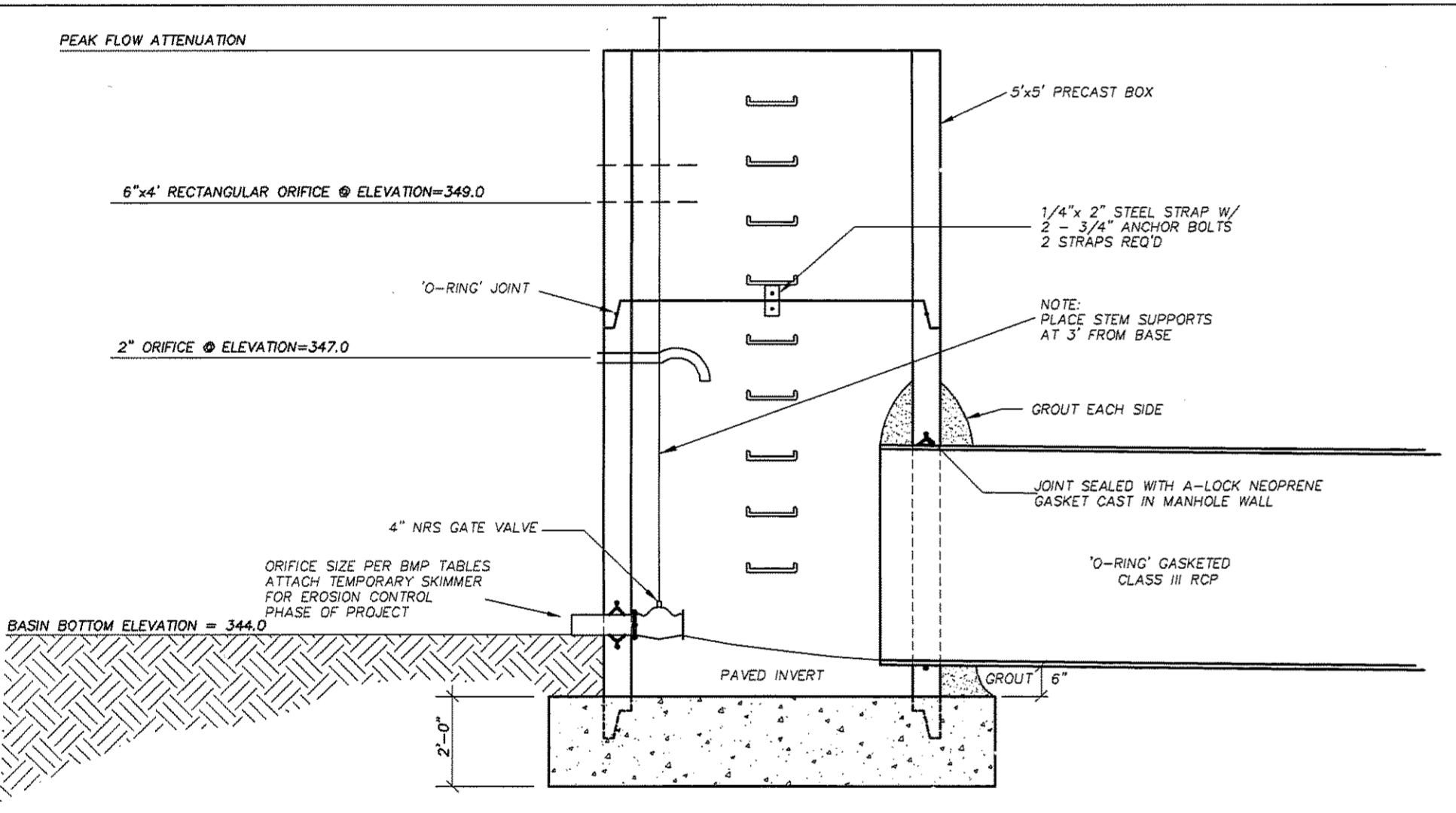
BMP SKIMMER DETAIL - BMP#2
NTS

BMP #2 - DRY POND
Skimmer to Use: 2" Skimmer w/ 2' head
Volume to be Drained = 5,941 cu. ft.
Draw Down Time = 49 hours
Orifice Area = 0.79 sq. in.
Orifice Diameter = 1.0 inches
Qout = 7.50 cfs

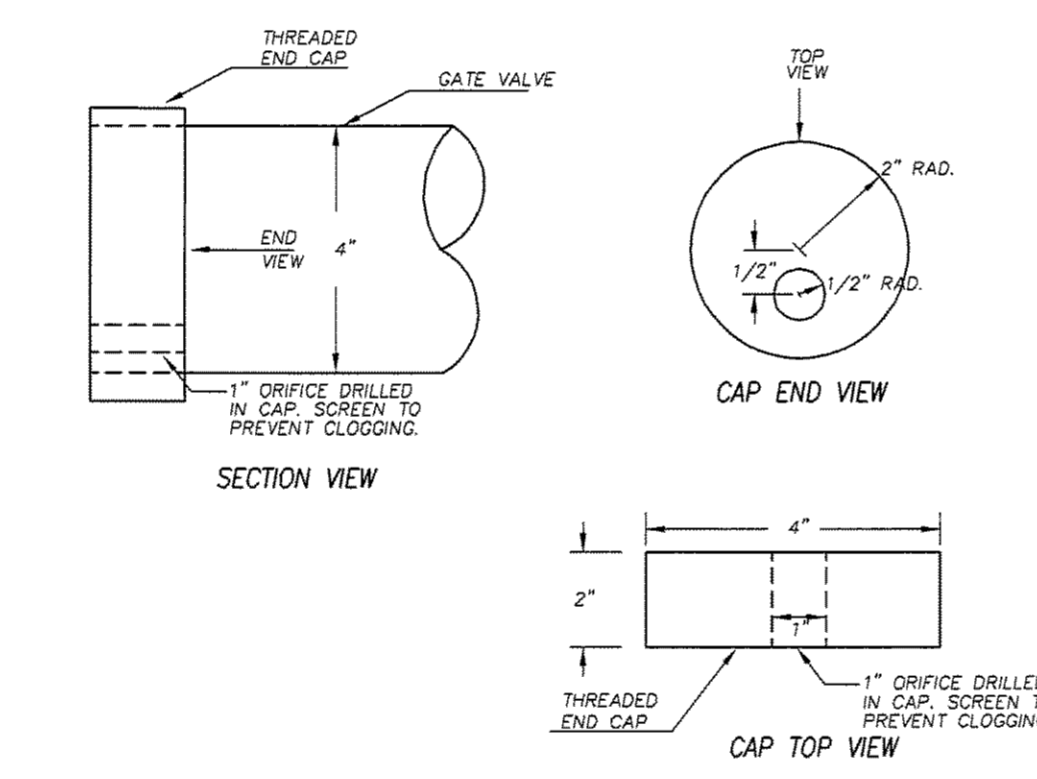


BMP SKIMMER DETAIL - BMP#3
NTS

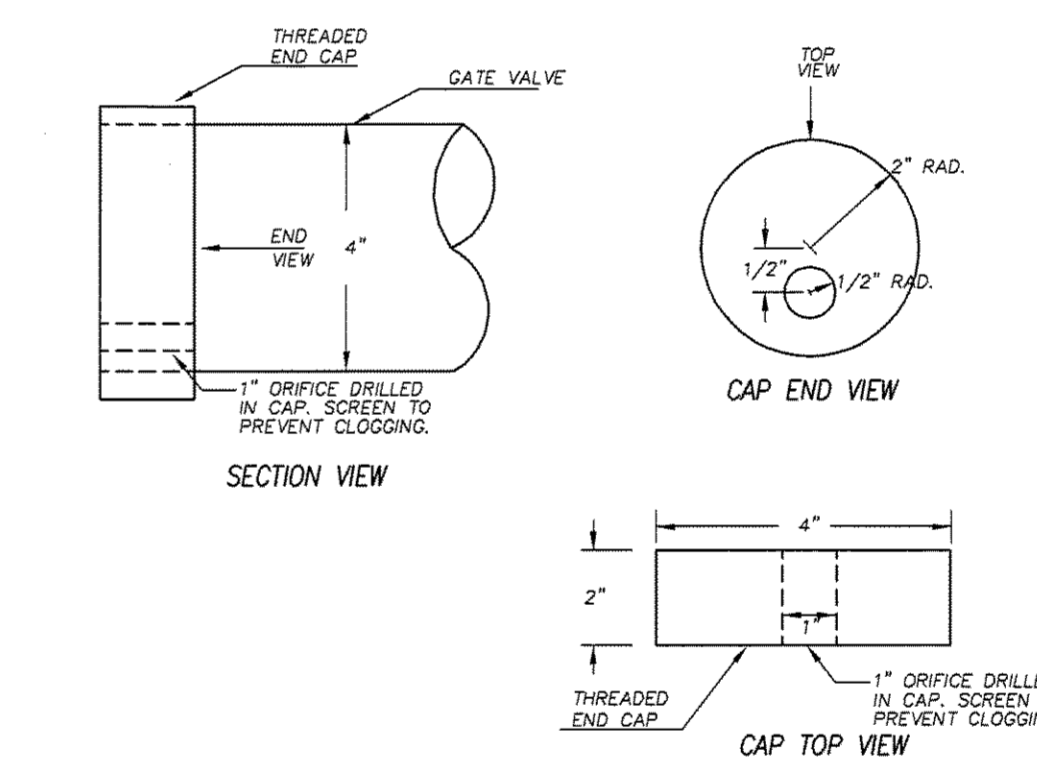
BMP #3 - DRY POND
Skimmer to Use: 2" Skimmer w/ 2' head
Volume to be Drained = 2,352 cu. ft.
Draw Down Time = 48 hours
Orifice Area = 0.79 sq. in.
Orifice Diameter = 1.0 inches
Qout = 5.34 cfs



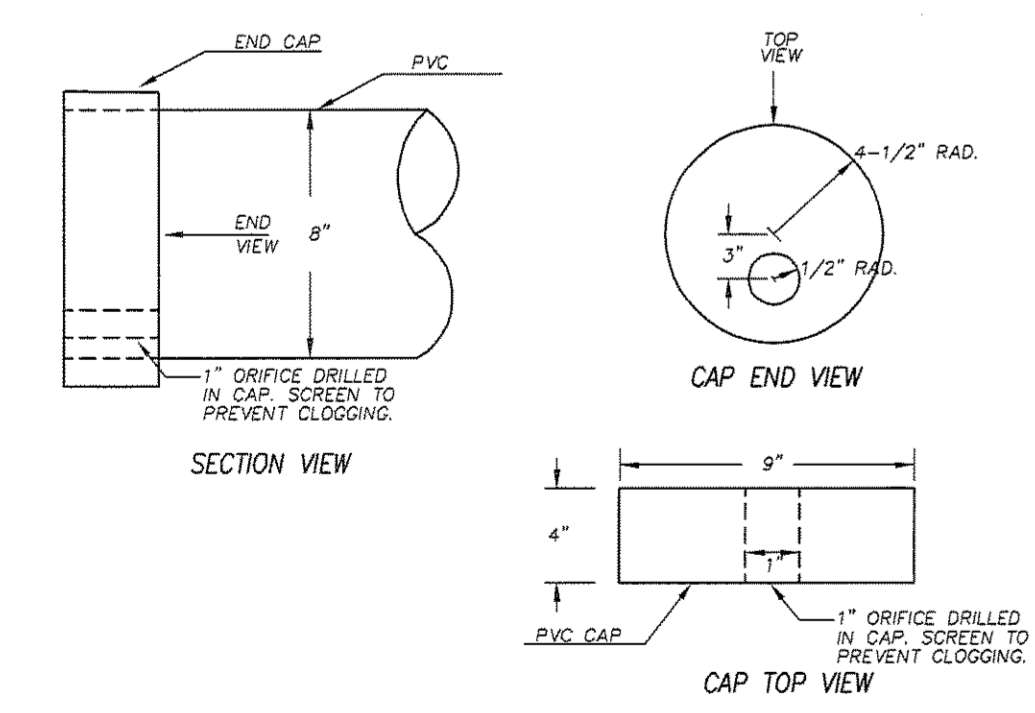
RISER & DRAWDOWN DEVICE DETAIL - FOR BMP #1
NTS



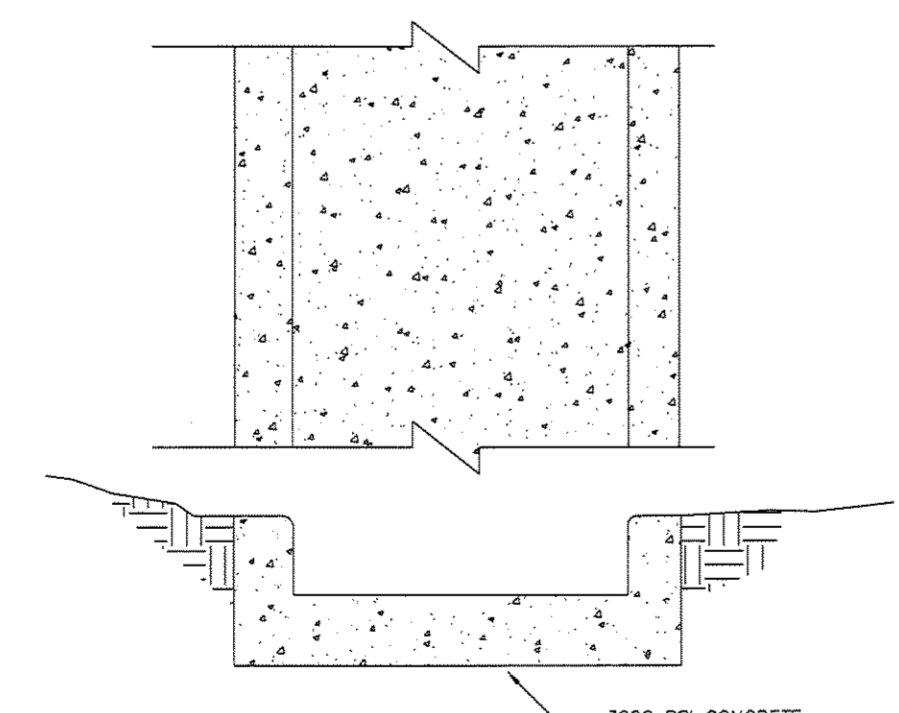
ORIFICE CAP DETAIL
BMP #2 - DRY POND
NTS



ORIFICE CAP DETAIL
BMP #3 - DRY POND
NTS

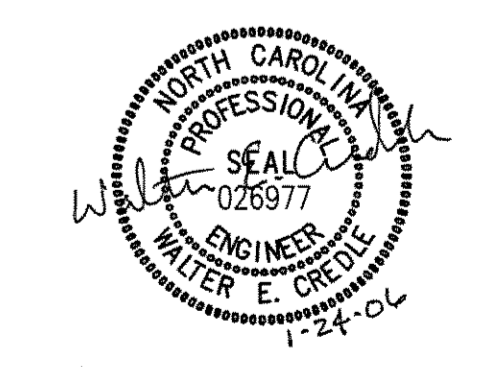


ORIFICE CAP DETAIL
BMP #1 - WET POND
NTS



CONCRETE FLUME
NTS

NOTE: 1) CONTRACTOR SHALL VERIFY LOCATION OF ALL UTILITIES PRIOR TO CONSTRUCTION.



PROJECT # 05-SP-004-A
APPROVED
TOWN OF CARY
Approved by: [Signature] Date: 1-17-06
Planning: [Signature] Date: 1-24-06
Engineering: [Signature] Date: 1-21-06

No.	Revision	Date	By	Designer	W&R	Scale
						1"=60'

WESTON PLACE
WESTON PDD

STORMWATER MANAGEMENT DETAILS

WITHERS & RAVENEL
ENGINEERS | PLANNERS | SURVEYORS
111 MacKenan Drive Cary, North Carolina 27511 tel: 919-469-3340 fax: 919-467-6008 www.wITHERSRAVENEL.COM