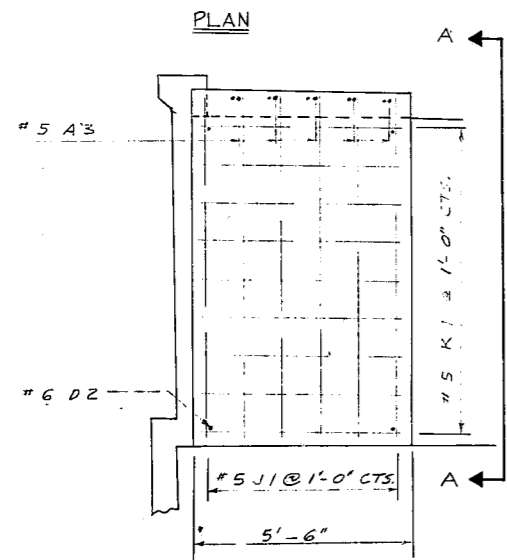
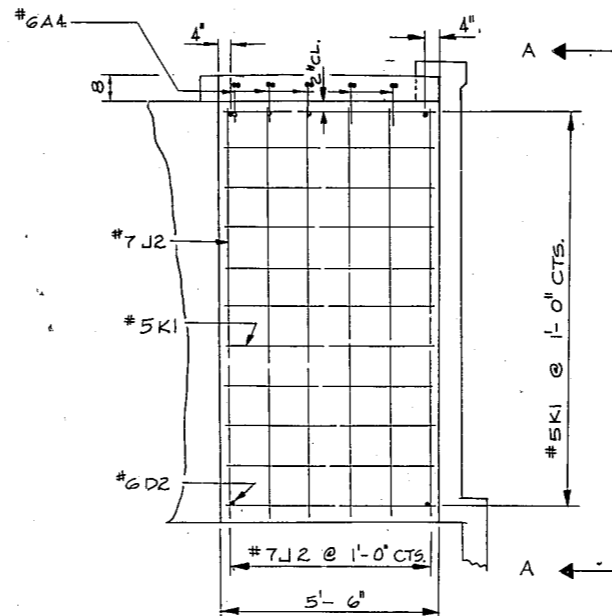
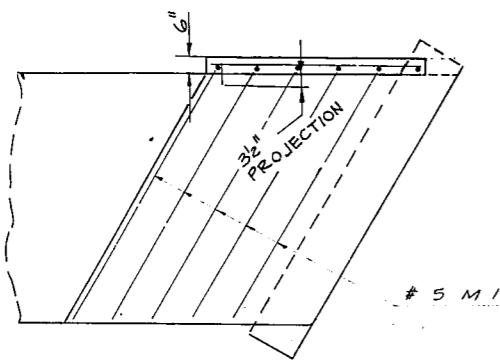
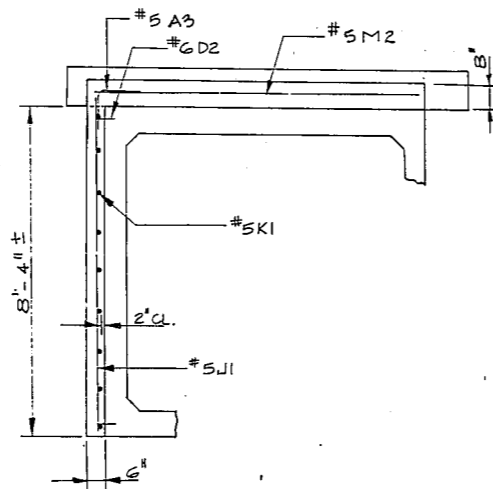


NOTES  
 DRILL AND GROUT #6 D2 DOWELS INTO EXISTING EXTERIOR WALL AT END OF BARREL AS SHOWN. DOWELS SHOULD PROJECT 3 1/2" INTO WALL.  
 FOR CONCRETE AND REINFORCING STEEL QUANTITIES SEE QUANTITY BREAKDOWN FOR EACH STRUCTURE (LOCATED ON BARREL SHEET).



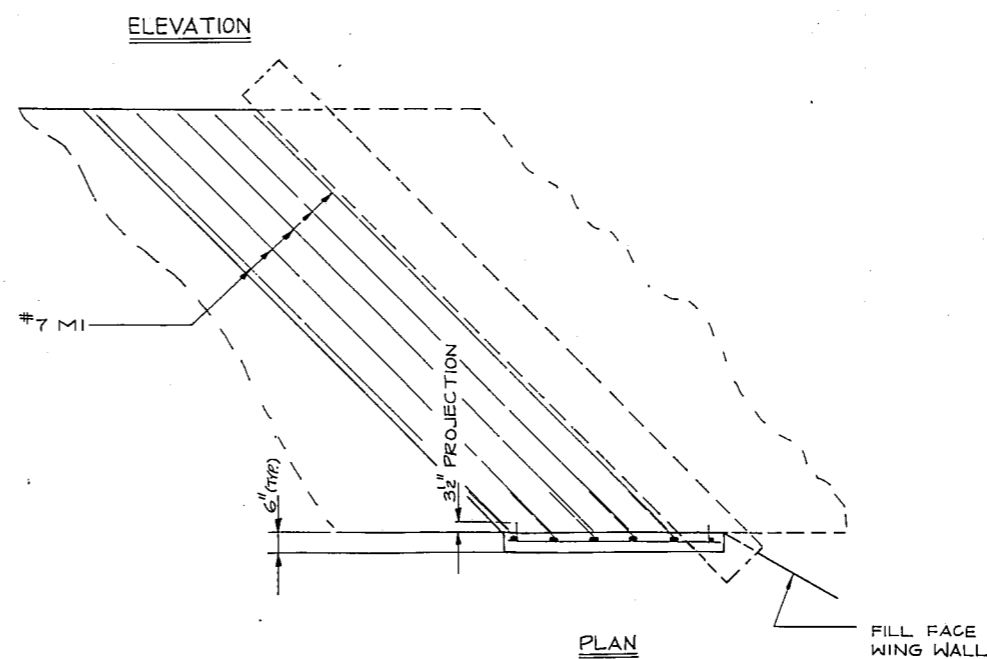
ELEVATION

SINGLE 5' X 7'

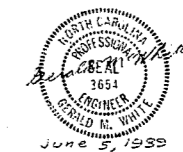


VIEW A-A

EXISTING CULVERT REPAIR DETAILS



DOUBLE 7' X 9'



NC 55 WIDENING

**HUGH J. GILLEECE & ASSOC.**  
 104 FOUNTAINBROOK CIRCLE SUITE C CARY N.C. 27511 (919) 489-1101

REVISIONS Approved 1/1/54

DESIGNER	DATE	SHEET
DRAWN BY	SCALE	C-5
CHECKED BY	JOB NO.	OF 5