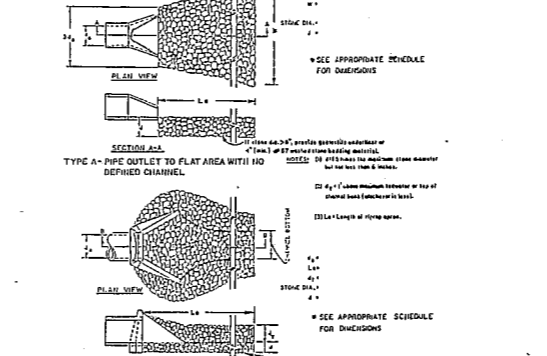
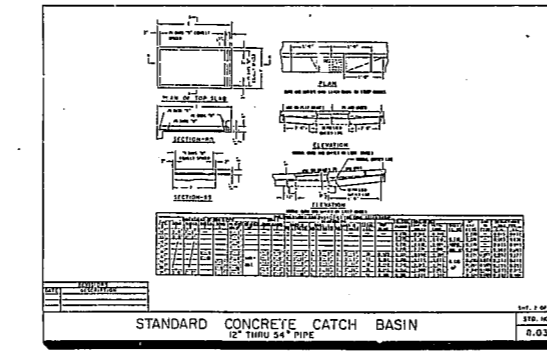
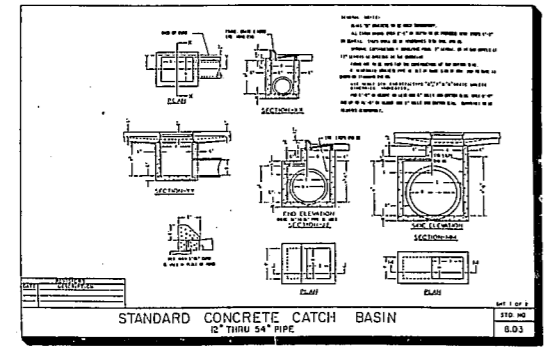


Seedling Schedule

Date	Type	Planting Rate
Aug 15-Nov 1	Tall Fescue	300 lbs/acre
Nov 1-Dec 1	Tall Fescue and Annual Ryegrass	300 lbs/acre
Dec 1-Jan 15	Tall Fescue	300 lbs/acre
Apr 15-Jun 30	Small Green Bermuda Grass	25 lbs/acre
Jul 15-Sep 15	Tall Fescue and Annual Ryegrass	300 lbs/acre
	**See Supplemental Schedule	30 lbs/acre
Slowed Fall to Fall		
Mar 1-Jun 1	Various (see schedule)	50 lbs/acre
Aug 1-Nov 1	Various (see schedule)	100 lbs/acre
Dec 1-Jan 15	Various (see schedule)	10 lbs/acre
Mar 1-Jun 1	Various (see schedule)	25 lbs/acre
Jul 1-Sep 1	Various (see schedule)	10 lbs/acre
Oct 1-Nov 1	Various (see schedule)	30 lbs/acre
Dec 1-Jan 15	Various (see schedule)	10 lbs/acre
Feb 1-Mar 1	Various (see schedule)	10 lbs/acre
Apr 1-May 1	Various (see schedule)	10 lbs/acre

Consult Conservation Engineer or Soil Conservation Service for additional information concerning other alternatives for vegetation of denuded areas. The above vegetation rates are those which do not take into account other seeding rate considerations are possible.

**See Supplemental Schedule for details on seedling types.



- CONSTRUCTION SEQUENCE**
1. Obtain Grading Permit.
 2. Install all erosion control measures as shown.
 3. Obtain Certificate of Compliance through on-site inspection by Town Erosion Control Engineer.
 4. Proceed with grading.
 5. Clean sediment basins when half full.
 6. Seed and mulch denuded area within 30 days after finished grades are established.
 7. Maintain soil erosion control measures until permanent ground cover is established.
 8. Request final approval by Town Erosion Control Engineer.
 9. Remove soil erosion control measures and stabilize those areas.