

**Soil Loss Schedule**

Shoulders, Side Slopes, Slopes (Max. 1:1)

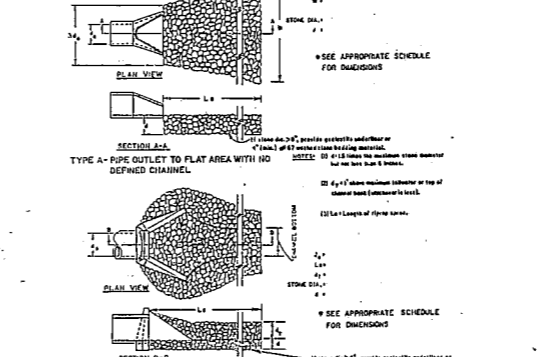
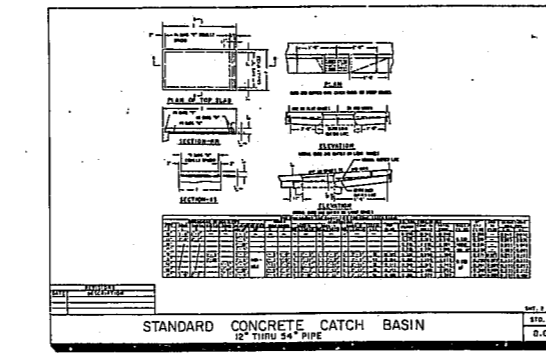
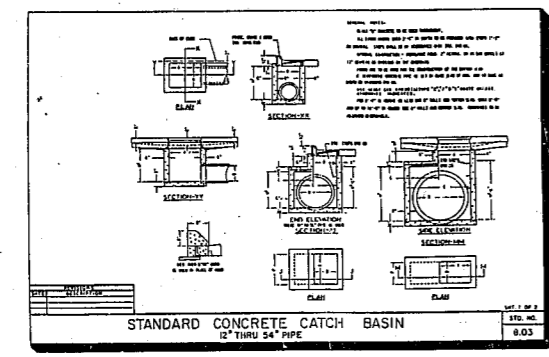
Date	Type	Planting Rate
Aug 15-Nov 1	Tall Fescue	100 lbs/acre
Nov 1-Mar 1	Tall Fescue and Annual Ryegrass	100 lbs/acre
Mar 1-Apr 15	Tall Fescue	25 lbs/acre
Apr 15-Jun 15	Shall Green Bermudagrass	25 lbs/acre
Jun 15-Aug 15	Tall Fescue and Annual Ryegrass	100 lbs/acre
Aug 15-Oct 15	Tall Fescue	25 lbs/acre
Oct 15-Dec 15	Shall Green Bermudagrass	25 lbs/acre
Dec 15-Feb 1	Shall Green Bermudagrass (municipal)	50 lbs/acre
Feb 1-Mar 1	Shall Green Bermudagrass	25 lbs/acre
Mar 1-Apr 1	Shall Green Bermudagrass	25 lbs/acre
Apr 1-May 1	Shall Green Bermudagrass	25 lbs/acre
May 1-Jun 1	Shall Green Bermudagrass	25 lbs/acre
Jun 1-Jul 1	Shall Green Bermudagrass	25 lbs/acre
Jul 1-Aug 1	Shall Green Bermudagrass	25 lbs/acre
Aug 1-Sep 1	Shall Green Bermudagrass	25 lbs/acre
Sep 1-Oct 1	Shall Green Bermudagrass	25 lbs/acre
Oct 1-Nov 1	Shall Green Bermudagrass	25 lbs/acre
Nov 1-Dec 1	Shall Green Bermudagrass	25 lbs/acre

**Slopes (1:1 to 3:1)**

Date	Type	Planting Rate
Aug 15-Nov 1	Tall Fescue	100 lbs/acre
Nov 1-Mar 1	Tall Fescue and Annual Ryegrass	100 lbs/acre
Mar 1-Apr 15	Tall Fescue	25 lbs/acre
Apr 15-Jun 15	Shall Green Bermudagrass	25 lbs/acre
Jun 15-Aug 15	Tall Fescue and Annual Ryegrass	100 lbs/acre
Aug 15-Oct 15	Tall Fescue	25 lbs/acre
Oct 15-Dec 15	Shall Green Bermudagrass	25 lbs/acre
Dec 15-Feb 1	Shall Green Bermudagrass (municipal)	50 lbs/acre
Feb 1-Mar 1	Shall Green Bermudagrass	25 lbs/acre
Mar 1-Apr 1	Shall Green Bermudagrass	25 lbs/acre
Apr 1-May 1	Shall Green Bermudagrass	25 lbs/acre
May 1-Jun 1	Shall Green Bermudagrass	25 lbs/acre
Jun 1-Jul 1	Shall Green Bermudagrass	25 lbs/acre
Jul 1-Aug 1	Shall Green Bermudagrass	25 lbs/acre
Aug 1-Sep 1	Shall Green Bermudagrass	25 lbs/acre
Sep 1-Oct 1	Shall Green Bermudagrass	25 lbs/acre
Oct 1-Nov 1	Shall Green Bermudagrass	25 lbs/acre
Nov 1-Dec 1	Shall Green Bermudagrass	25 lbs/acre

Consult Conservation Engineer or Soil Conservation Service for additional information concerning other alternatives for vegetation of denuded areas. Above vegetation rates are those which do well under local conditions; other seeding rate combinations are possible.

\*\*Municipal - Based according to certain season for detailed permanent vegetation. Do not allow temporary cover to grow over 12" in height before routing; otherwise, erosion may be checked out.



- CONSTRUCTION SEQUENCE**
1. Obtain Grading Permit.
  2. Install all erosion control measures as shown.
  3. Obtain Certificate of Compliance through on-site inspection by Town Erosion Control Engineer.
  4. Proceed with grading.
  5. Clean sediment basins when half full.
  6. Seed and mulch denuded area within 30 days after finished grades are established.
  7. Maintain soil erosion control measures until permanent ground cover is established.
  8. Request final approval by Town Erosion Control Engineer.
  9. Remove soil erosion control measures and establish these areas.