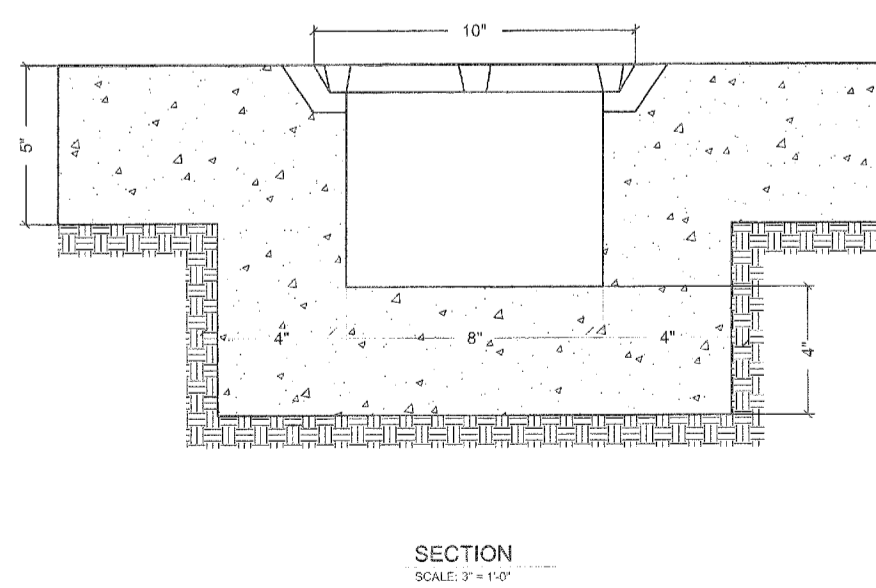
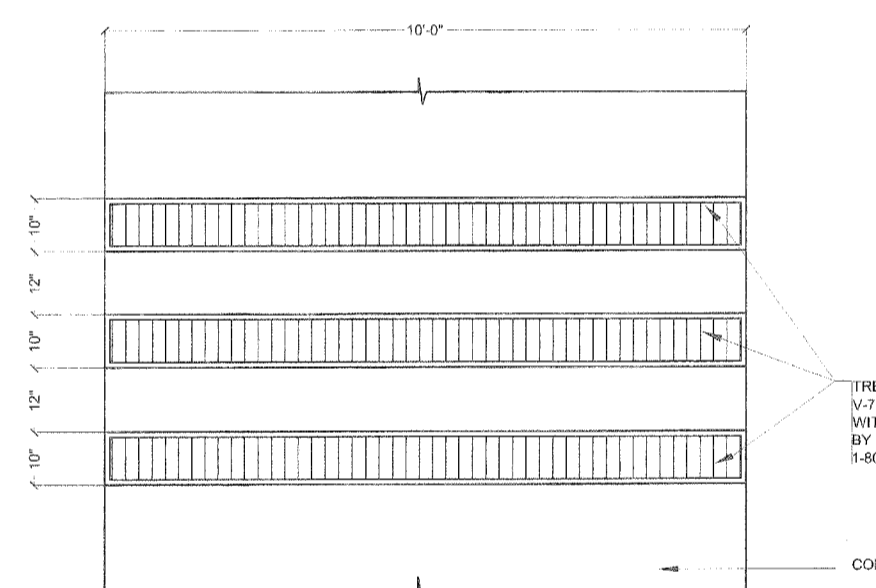
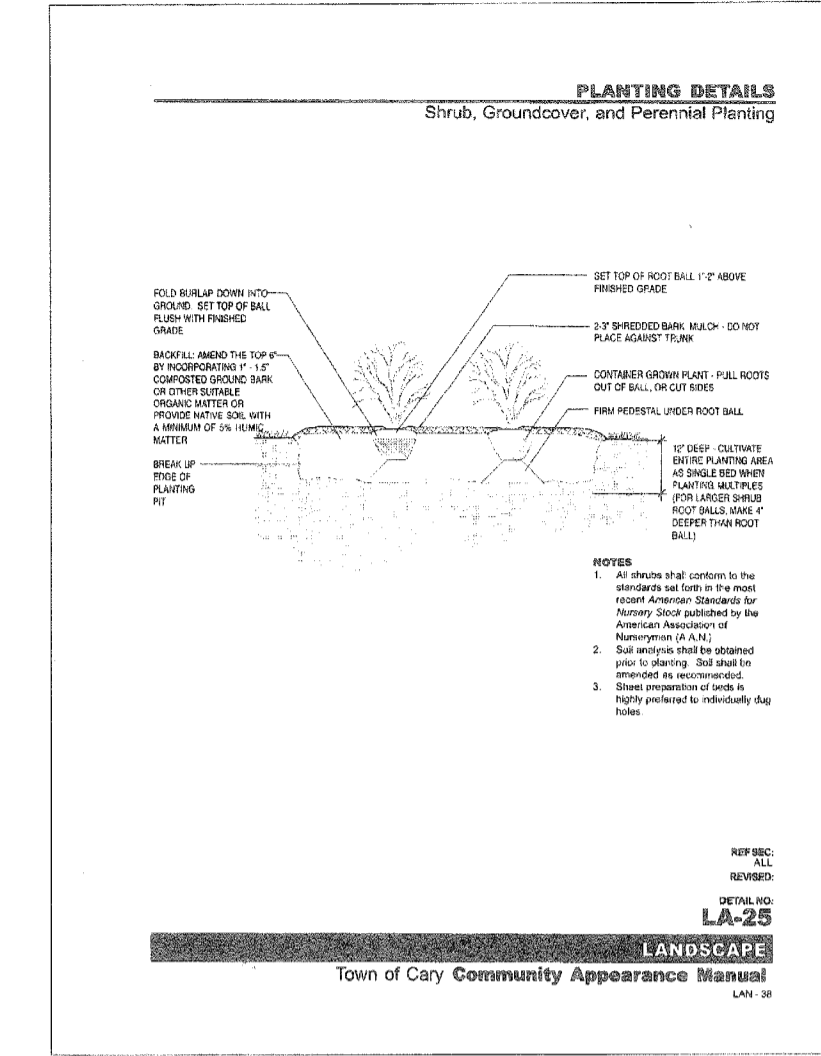
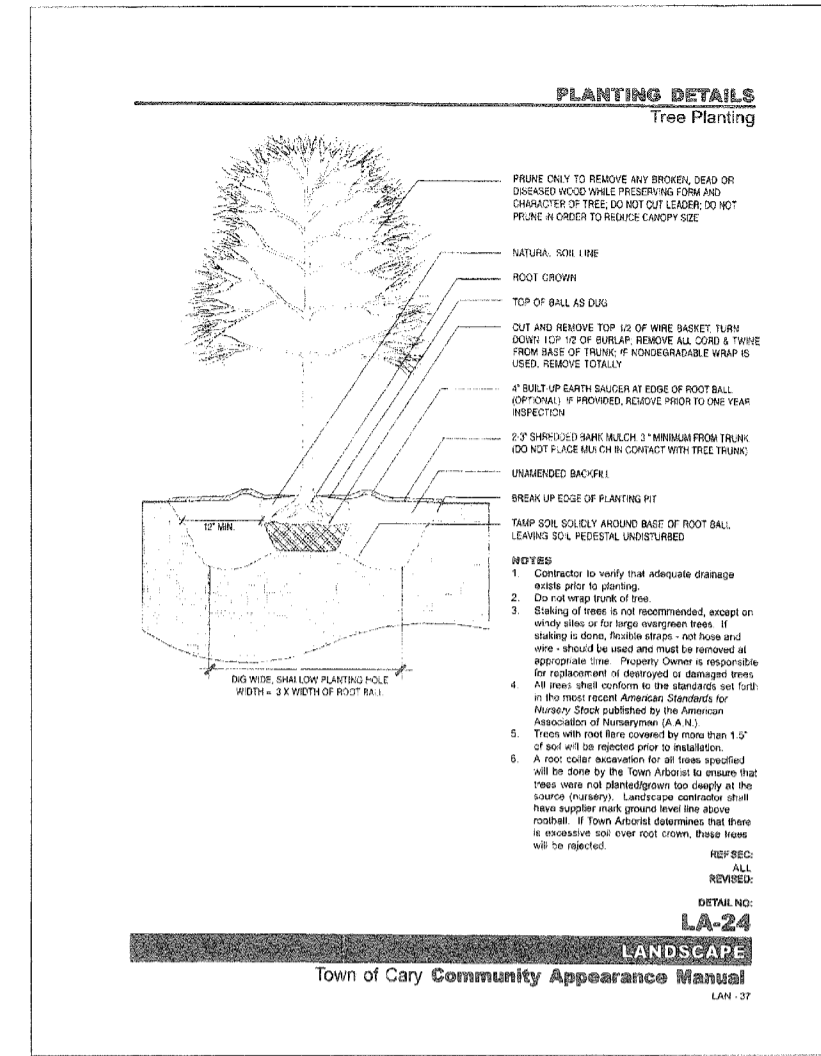
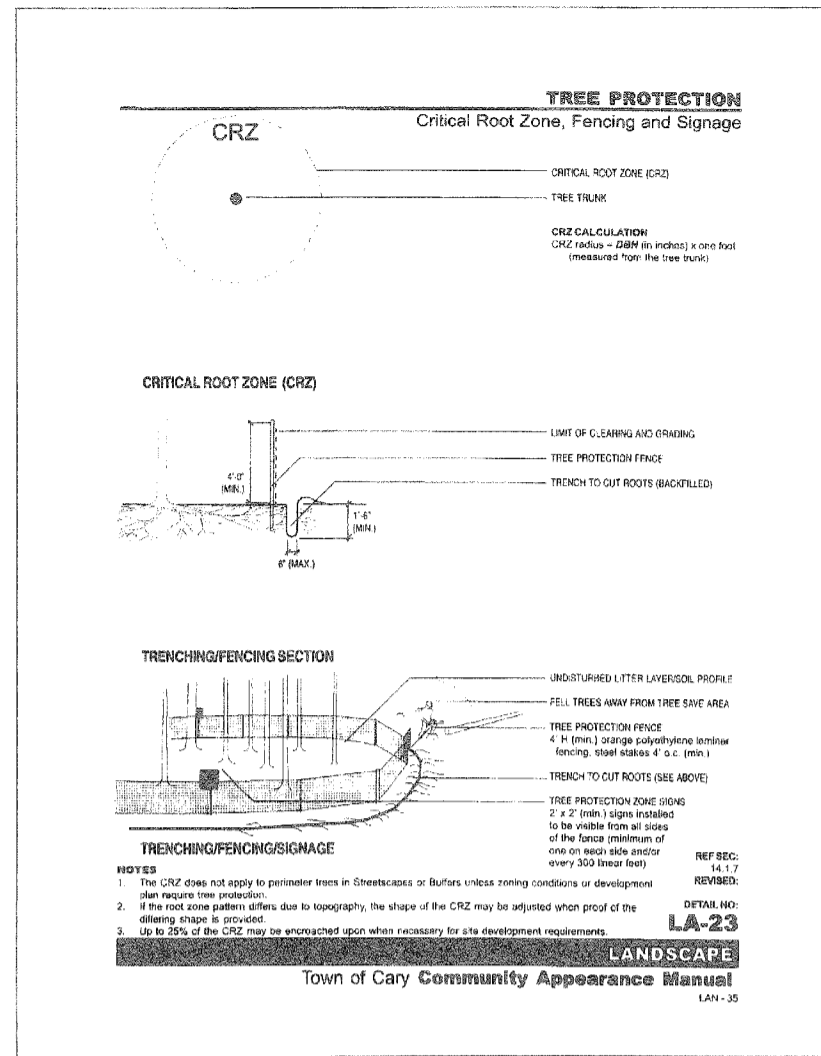
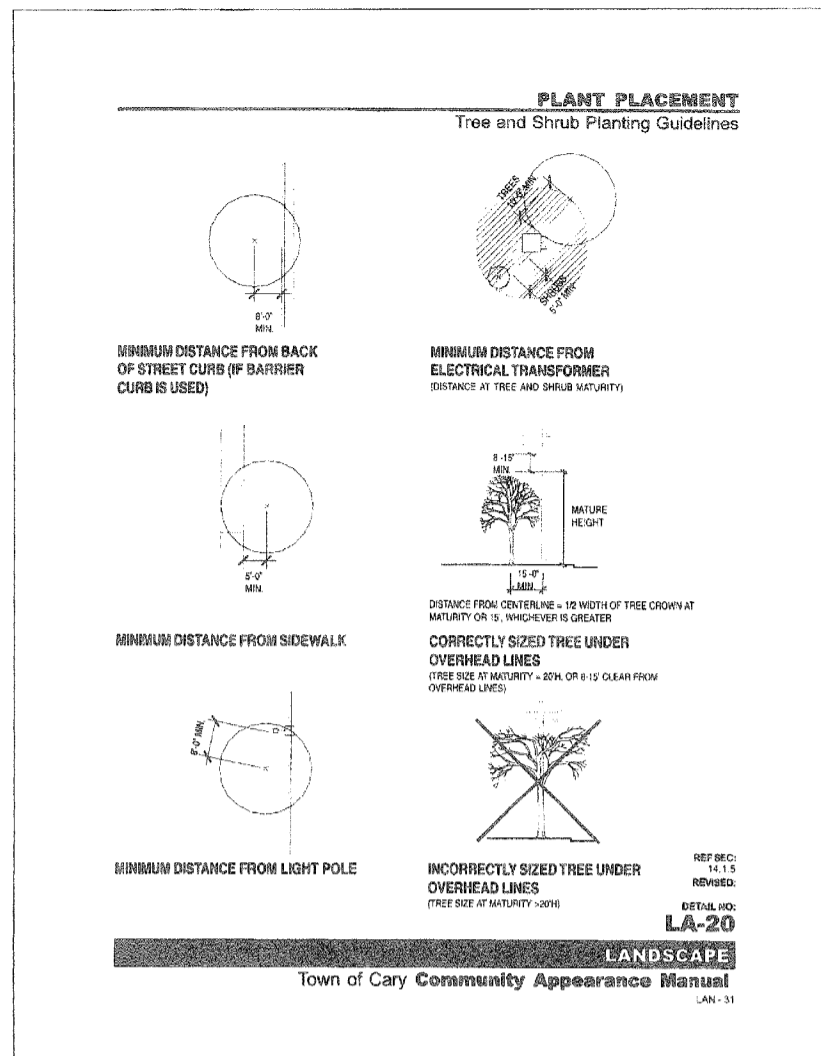




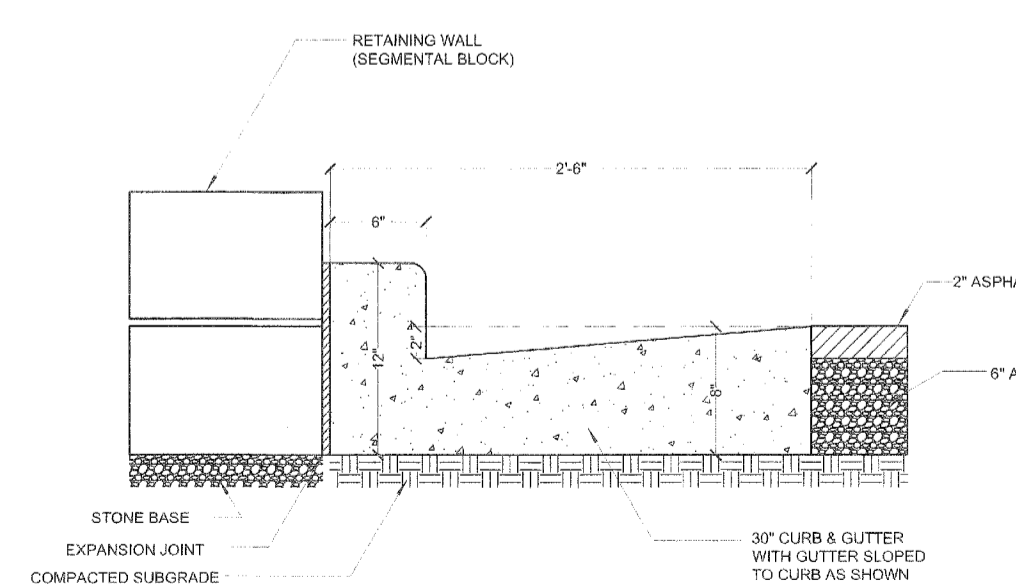
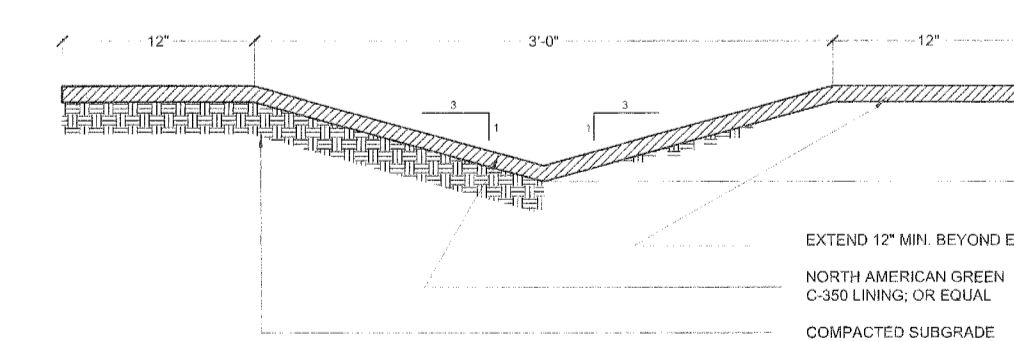
SEAL SEAL

CONSULTANT



TRENCH GRATE  
 V-7382 TRENCH GRATE SERIES, ADA,  
 WITH FRAME,  
 BY EAST JORDAN IRON WORKS  
 1-800-626-4653-OR EQUAL.

CONCRETE PAVEMENT



03 TRENCH DRAINS  
 L-CD-4

05 SWALE DETAIL AT PARK SCENE  
 L-CD-4

06 CURB & GUTTER USED AS DRAINAGE SWALE  
 L-CD-4

APPROVED  
 TOWN OF CARY  
 Approved By: [Signature] Date: 4-11-06  
 Planning: [Signature] Date: 4-11-06  
 Engineering: [Signature] Date: 4-11-06

NOTES

DATE	DESCRIPTION
07/01/05	Scour Hole Detail
04/28/05	2nd Review
02/01/05	1st Review
DATE	DESCRIPTION

REVISIONS

SCALE

**White Oak Creek Greenway-Phase 4**  
 Town of Cary  
 Cary, North Carolina  
 Project # 05-SP-005

PROJECT/OWNER

**CONSTRUCTION DETAILS**

SHEET TITLE  
 DATE: DECEMBER 21, 2004

SHEET NUMBER  
**L-CD-4**