

**DIEHL & PHILLIPS, P.A.**  
 CONSULTING ENGINEERS  
 CARY, NC (919) 467-9972

CONSULTANT

**CERTIFICATION**  
 THESE IMPROVEMENTS SHALL BE CONSTRUCTED IN ACCORDANCE WITH THE FOLLOWING PLANS AND THE STANDARD SPECIFICATIONS OF THE TOWN OF CARY. THE ENGINEER WHOSE SEAL AND SIGNATURE APPEAR BELOW CERTIFIES THAT THE STANDARD SPECIFICATIONS OF THE TOWN OF CARY HAVE BEEN THOROUGHLY CHECKED AND ARE APPLICABLE TO THIS PARTICULAR PROJECT.

**TEMPORARY SEEDING SCHEDULE** (Revised 1-1-86)

SHOULDER, SIDE DITCHES, SLOPES (MAX. 3:1)

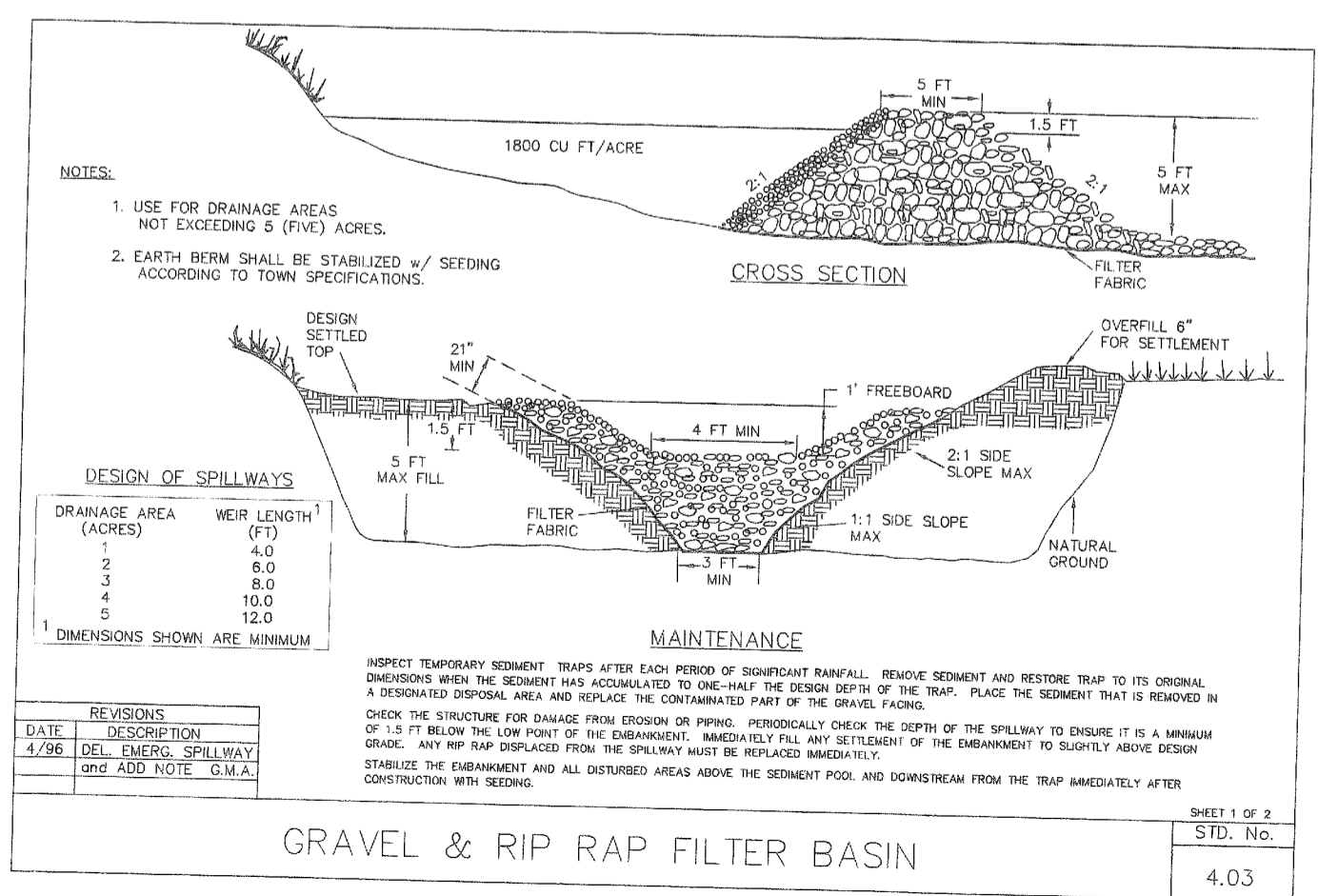
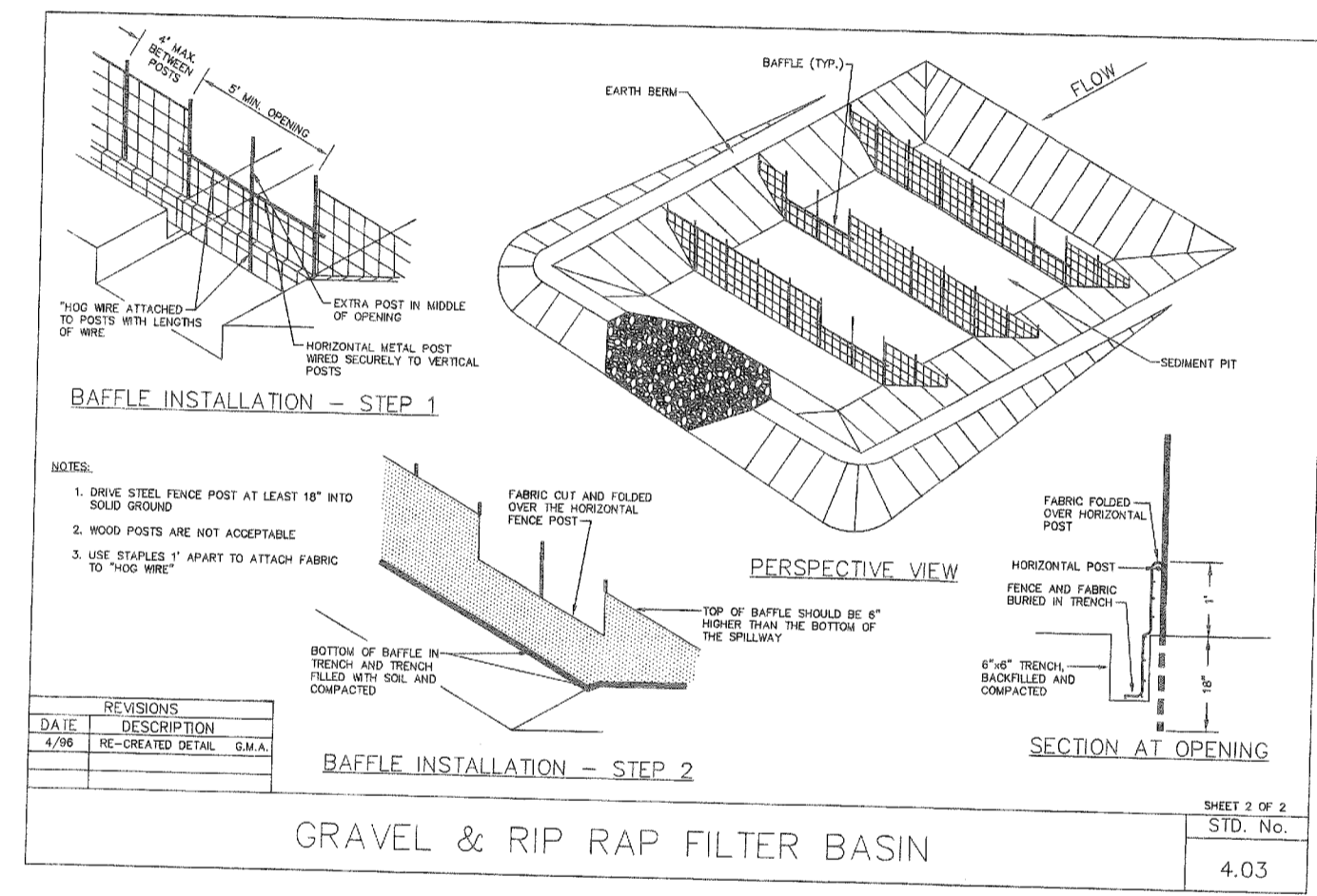
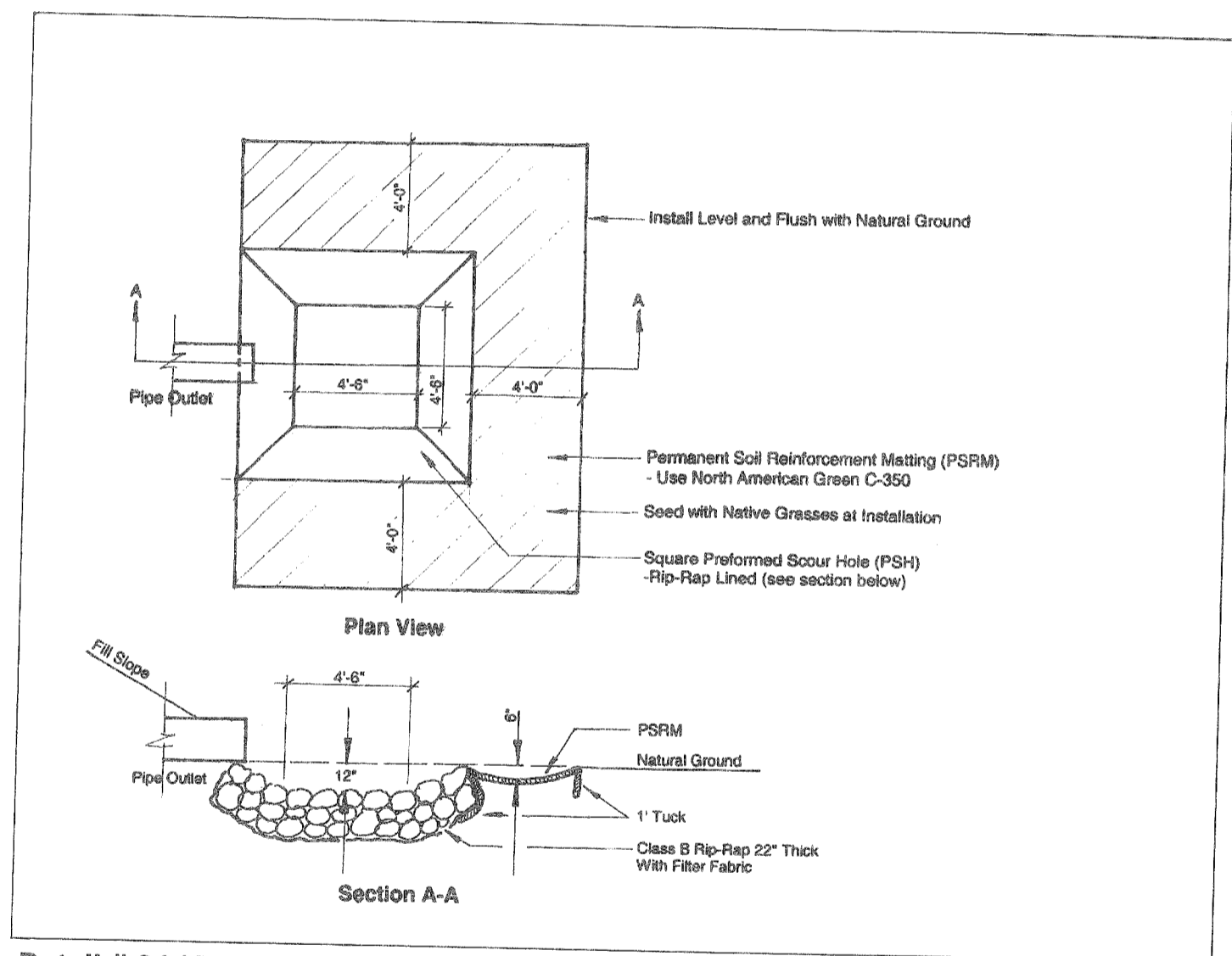
DATE	TYPE	PLANTING RATE
AUG 15 - NOV 1	TALL FESCUE	300 LBS. / ACRE
NOV. 1 - MAR. 1	TALL FESCUE & ABRUZZI RYE	300 LBS. / ACRE
MAR. 1 - APR. 15	TALL FESCUE	25 LBS. / ACRE
APR. 15 - JUN. 30	HULLED COMMON BERMIUDA GRASS	300 LBS. / ACRE
JUL. 1 - AUG. 15	TALL FESCUE AND **BROWNTOP MILLET OR SORGHUM - SUDAN HYBRIDS	125 LBS. / ACRE
		35 LBS. / ACRE
		30 LBS. / ACRE

SLOPES (3:1 TO 2:1)

DATE	TYPE	PLANTING RATE
MAR. 1 - JUN. 1	SERICEA LESPEDEZA (SCARIFIED) AND	50 LBS. / ACRE
MAR. 1 - APR. 15	ADD TALL FESCUE	120 LBS. / ACRE
MAR. 1 - JUN. 30	OR ADD WEEPING LOVEGRASS	10 LBS. / ACRE
MAR. 1 - JUN. 30	OR ADD HULLED COMMON BERMIUDA GRASS	25 LBS. / ACRE
JUN. 1 - SEP. 1	*** TALL FESCUE AND *** BROWN MILLET	120 LBS. / ACRE
		35 LBS. / ACRE
	*** OR SORGHUM - SUDAN HYBRIDS	30 LBS. / ACRE
SEP. 1 - MAR. 1	SERICEA LESPEDEZA (HULLED - SCARIFIED) AND TALL FESCUE	70 LBS. / ACRE
(NOV. 1 - MAR 1)	ADD ABRUZZI RYE	120 LBS. / ACRE
		25 LBS. / ACRE

CONSULT CONSERVATION ENGINEER OR SOIL CONSERVATION SERVICE FOR ADDITIONAL INFORMATION CONCERNING OTHER ALTERNATIVES FOR VEGETATION OF DENUDED AREAS. THE ABOVE VEGETATION RATES ARE THOSE WHICH DO WELL UNDER LOCAL CONDITIONS. OTHER SEEDING RATE COMBINATIONS ARE POSSIBLE.

\*\* TEMPORARY - RESEED ACCORDING TO OPTIMUM SEASON FOR DESIRED PERMANENT VEGETATION. DO NOT ALLOW TEMPORARY COVER TO GROW OVER 12" IN HEIGHT BEFORE MOWING. OTHERWISE FESCUE MAY BE SHADED OUT.



APPROVED  
 TOWN OF CARY

Approved By: *[Signature]* Date: *[Date]*  
 Planning: *[Signature]* Date: *[Date]*  
 Engineering: *[Signature]* Date: *[Date]*

NOTES

DATE	DESCRIPTION	DATE	DESCRIPTION
04/28/05	2nd Review		
02/01/05	1st Review		

REVISIONS

SCALE

**White Oak Creek Greenway-Phase 4**  
**Town of Cary**  
 Cary, North Carolina  
 Project # 05-SP-005

PROJECT/OWNER

**Erosion Control Details-2**

SHEET TITLE

DATE December 21, 2004

SHEET NUMBER

**EC-2**