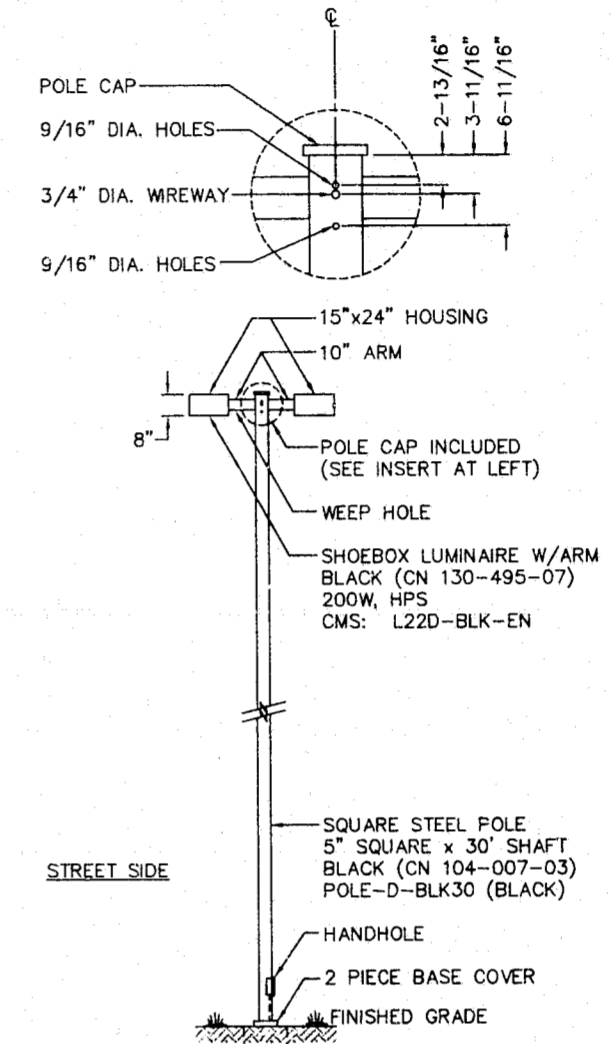
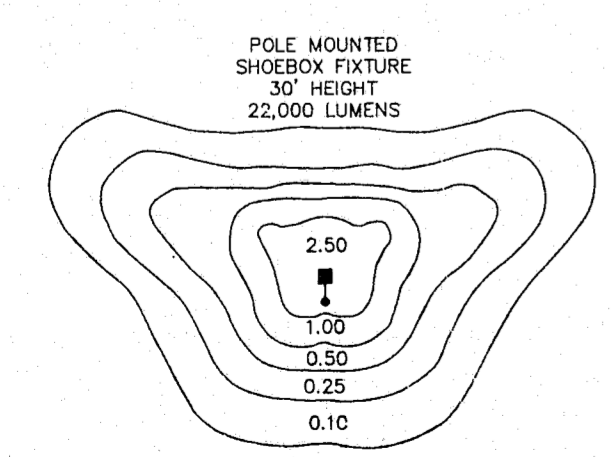


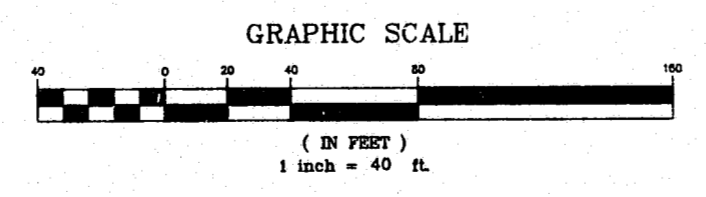
- GENERAL NOTES**
1. ALL SITE LIGHTING AND ELECTRICAL DESIGN WAS PERFORMED BY CP&L AND IS SHOWN FOR INFORMATION PURPOSES ONLY. SEE PLANS BY CP&L.
 2. ALL EXTERIOR LIGHTING SPILLOVER SHALL NOT EXCEED 1.5 FOOTCANDLES FOR CUT-OFF LIGHTS AND 0.3 FOOTCANDLES FOR NON-CUTOFF LIGHTS IN ACCORDANCE WITH TOWN OF CARY REQUIREMENTS.
 3. ALL POLE FIXTURES SHALL BE 200W, 22,000 LU, SODIUM VAPOR SHOEBOX ON SQUARE DECORATIVE METAL POLES WITH 30' MOUNTING HEIGHT (2 LIGHT UNITS PER POLE).
 4. EXTERIOR LIGHTING CONFORMS TO IES ILLUMINATION STANDARDS AND SUPPLIES AN AVERAGE MAINTAINED FOOTCANDLES VALUE OF 1.0 AND UNIFORMITY RATIO OF 3:1 AVERAGE TO MINIMUM.



SHOEBOX LUMINAIRES AND SQUARE POLES
 1 C4.1 SCALE: N.T.S.

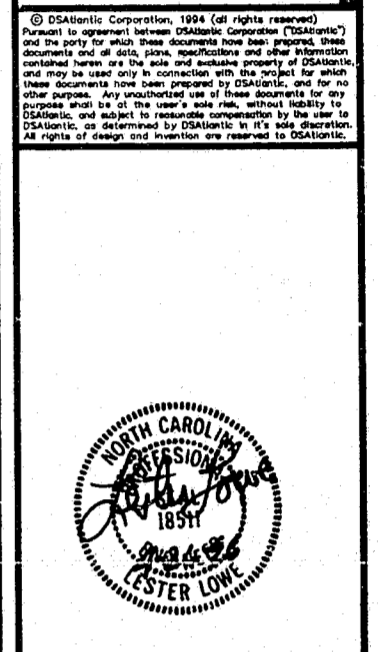


ISOFOOTCANDLE CURVES
 2 C4.1 SCALE: N.T.S.



SITE LIGHTING PLAN IS FOR INFORMATION PURPOSES ONLY. THIS PLAN DOES NOT REPRESENT ANY ACTIONS TO BE TAKEN BY THE CONTRACTOR.

DSAtlantic
 CHARLOTTE, NC • FORT MYERS, FL • RALEIGH, NC
 RICHMOND, VA • WINSTON-SALEM, NC
 801 JONES FRANKLIN ROAD, SUITE 900
 RALEIGH, NC 27606



PARKING LOT
NORTHERN TELECOM INC.
LOT 4 WOODLAKE CENTER
LICHTIN PROPERTIES, INC.
 CARY, NORTH CAROLINA

SITE LIGHTING PLAN

ISSUE SEQUENCE		
NO.	DATE	DESCRIPTION
1	7/24/96	ISSUE FOR CONSTRUCTION

PROJECT NO.: LC002.000
 DESIGNED BY: CP&L
 DRAWN BY: TLD
 DATE: 4/26/96

C4.1
 OF 11
 CADD #: 115CBA52 (40)